

Page No.

**Engine and
Related
Components**
(6 Cylinder)

2-25	Engine and Related Components - 3 Cylinder
27-50	Engine and Related Components - 4 Cylinder
53-69	Engine and Related Components - 6 Cylinder
<hr/>	
53-56	Pistons, Rings & Liners - 6 Cylinder
57	Crankshafts & Main Bearings - 6 Cylinder
58	Connecting Rods & Bearings - 6 Cylinder
59	Oil Pans, Pumps & Related Components - 6 Cylinder
60	Engine Oil Filters & Related Components - 6 Cylinder
61-62	Valves & Camshafts - 6 Cylinder
63	Gaskets - 6 Cylinder
64	Fuel Tanks, Lift Pumps & Filters - 6 Cylinder
65	Fuel System & Related Components - 6 Cylinder
66	Air Filters - 6 Cylinder
67	Mufflers and Air Cleaners - 6 Cylinder
68	Muffler Clamps and Caps
69	Core Plugs

Legend: -> before date means "up to"
-> after date means "on"

These parts are Sparex parts and are not manufactured by the Original Equipment Manufacturer. Original Manufacturers' names, part numbers and descriptions are quoted for reference purposes only and are not intended to indicate or suggest that our replacement parts are made by the OEM.

WARNING

Do not install if compression height and bowl do not match up to the piston removed. We recommend that you use the same type piston throughout the engine.

Sparex Replacement Spare Parts for Ford/New Holland (65->)



(*Piston w/ Rings, **Keystone)

Model	Piston Standard	Piston +0.020"	Piston +0.030"	Piston +0.040"	Ring Set Standard (Premium)	Ring Set Standard	Ring Set +0.020"	Ring Set +0.030"	Ring Set +0.040"
7810	S.65821 83928178 E0NN6108AA	S.61313 83928180 E0NN6108CA	S.61326 83928181 E0NN6108DA	S.61327 83928182 E0NN6108EA	S.65997 83917468 DJPN6149W	S.65826 83917468 DJPN6149W	S.66064 83917469 DJPN6149X	S.66065 83917470 DJPN6149Y	S.66066 83917471 DJPN6149Z
7840 11/91> POWERSTAR 6.6	S.66519 82850254				S.66525 82850251				
7910 01/82>03/86	S.65897* 83905772 D5NN6108S				S.65995 83905823 DFPN6149E	S.65824 83905823 DFPN6149E	S.66061 83904263 DFPN6149B	S.66062 83904264 DFPN6149C	S.66063 83904265 DFPN6149D
7910 04/86->	S.65821 83928178 E0NN6108AA	S.61313 83928180 E0NN6108CA	S.61326 83928181 E0NN6108DA	S.61327 83928182 E0NN6108EA	S.65997 83917468 DJPN6149W	S.65826 83917468 DJPN6149W	S.66064 83917469 DJPN6149X	S.66065 83917470 DJPN6149Y	S.66066 83917471 DJPN6149Z
8000 01/68>09/72	S.65821 83928178 E0NN6108AA	S.61313 83928180 E0NN6108CA	S.61326 83928181 E0NN6108DA	S.61327 83928182 E0NN6108EA	S.65997 83917468 DJPN6149W	S.65826 83917468 DJPN6149W	S.66064 83917469 DJPN6149X	S.66065 83917470 DJPN6149Y	S.66066 83917471 DJPN6149Z
8160 01/95> POWERSTAR 7.5									
8210 01/82>03/86	S.65897* 83905772 D5NN6108S				S.65995 83905823 DFPN6149E	S.65824 83905823 DFPN6149E	S.66061 83904263 DFPN6149B	S.66062 83904264 DFPN6149C	S.66063 83904265 DFPN6149D
8210 04/86->	S.65821 83928178 E0NN6108AA	S.61313 83928180 E0NN6108CA	S.61326 83928181 E0NN6108DA	S.61327 83928182 E0NN6108EA	S.65997 83917468 DJPN6149W	S.65826 83917468 DJPN6149W	S.66064 83917469 DJPN6149X	S.66065 83917470 DJPN6149Y	S.66066 83917471 DJPN6149Z
8240 11/91> POWERSTAR 7.5	S.66521 82850253				S.66525 82850251				
8260 01/95> POWERSTAR 7.5									
8340 11/91>08/93 POWERSTAR 7.5	S.66521 82850253				S.66525 82850251				
8340 09/93> POWERSTAR 7.5T	S.66521 82850253				S.66525 82850251				
8360 01/95> POWERSTAR 7.5T					S.66525 82850251				
8530 03/90>	S.65821 83928178 E0NN6108AA	S.61313 83928180 E0NN6108CA	S.61326 83928181 E0NN6108DA	S.61327 83928182 E0NN6108EA	S.65997 83917468 DJPN6149W	S.65826 83917468 DJPN6149W	S.66064 83917469 DJPN6149X	S.66065 83917470 DJPN6149Y	S.66066 83917471 DJPN6149Z
8560 01/95> POWERSTAR 7.5T					S.66525 82850251				
8600 10/72>07/76	S.65897 83905772 D5NN6108S				S.65995 83905823 DFPN6149E	S.65824 83905823 DFPN6149E	S.66061 83904263 DFPN6149B	S.66062 83904264 DFPN6149C	S.66063 83904265 DFPN6149D

These parts are Sparex parts and are not manufactured by the Original Equipment Manufacturer. Original Manufacturers' names, part numbers and descriptions are quoted for reference purposes only and are not intended to indicate or suggest that our replacement parts are made by the OEM.

Pistons, Rings & Liners (6 Cylinder) Con't.



NOTE: All liners are Unfinished

Sparex Replacement Spare Parts
for Ford/New Holland (65->)



Model	Liner Standard	liner +0.030"	Liner +0.100"	Liner +0.100"			
7810 83912946	S.65827 Flanged D7NN6055A	S.65944 Flanged OD=+0.030"	S.65945 Parallel OD=+0.100"	S.65883 Parallel OD=+0.100"			
7840 01/11/91> POWERSTAR 6.6	S.66527 83998292						
7910 01/82>03/86	S.65827 Flanged 83912946 D7NN6055A	S.65944 Flanged OD=+0.030"	S.65945 Flanged OD=+0.100"	S.65883 Parallel OD=+0.100"			
7910 04/86->	S.65827 Flanged 83912946 D7NN6055A	S.65944 Flanged OD=+0.030"	S.65945 Flanged OD=+0.100"	S.65883 Parallel OD=+0.100"			
8000 01/68>09/72	S.65827 Flanged 83912946 D7NN6055A	S.65944 Flanged OD=+0.030"	S.65945 Flanged OD=+0.100"	S.65883 Parallel OD=+0.100"			
8160 01/95> POWERSTAR 7.5	S.66527 83998292 Flanged						
8210 01/82>03/86	S.65827 Flanged 83912946 D7NN6055A	S.65944 Flanged OD=+0.030"	S.65945 Flanged OD=+0.100"	S.65883 Parallel OD=+0.100"			
8210 04/86>10/91	S.65827 Flanged 83912946 D7NN6055A	S.65944 Flanged OD=+0.030"	S.65945 Flanged OD=+0.100"	S.65883 Parallel OD=+0.100"			
8240 11/91> POWERSTAR 7.5	S.66527 83998292						
8260 01/95> POWERSTAR 7.5	S.66527 83998292						
8340 11/91>08/93 POWERSTAR 7.5	S.66527 83998292						
8340 09/93> POWERSTAR 7.5T	S.66527 83998292						
8360 01/95> POWERSTAR 7.5T	S.66527 83998292						
8530 03/90>	S.65827 Flanged 83912946 D7NN6055A	S.65944 Flanged OD=+0.030"	S.65945 Flanged OD=+0.100"	S.65883 Parallel OD=+0.100"			
8560 01/95> POWERSTAR 7.5T	S.66527 83998292						
8600 10/72>07/76	S.65827 Flanged 83912946 D7NN6055A	S.65944 Flanged OD=+0.030"	S.65945 Flanged OD=+0.100"	S.65883 Parallel OD=+0.100"			

These parts are Sparex parts and are not manufactured by the Original Equipment Manufacturer. Original Manufacturers' names, part numbers and descriptions are quoted for reference purposes only and are not intended to indicate or suggest that our replacement parts are made by the OEM.

WARNING

Do not install if compression height and bowl do not match up to the piston removed. We recommend that you use the same type piston throughout the engine.

Sparex Replacement Spare Parts for Ford/New Holland (65->)

(*Piston w/ Rings, **Keystone)



Model	Piston Standard	Piston +0.020"	Piston +0.030"	Piston +0.040"	Ring Set Standard (Premium)	Ring Set Standard	Ring Set +0.020"	Ring Set +0.030"	Ring Set +0.040"
8630 03/90>	S.65882* 83919735 D7NN6108A				S.65995 83905823 DFPN6149E	S.65824 83905823 DFPN6149E	S.66061 83904263 DFPN6149B	S.66062 83904264 DFPN6149C	S.66063 83904265 DFPN6149D
8670 09/93> POWERSTAR 7.5T					S.66525 82850251				
8700 08/76>12/78	S.65897* 83905772 D5NN6108S				S.65995 83905823 DFPN6149W	S.65824 83905823 DFPN6149E	S.66061 83904263 DFPN6149B	S.66062 83904264 DFPN6149C	S.66063 83904265 DFPN6149D
8730 03/90>	S.65882* 83919735 D7NN6108A				S.65995 83905823 DFPN6149E	S.65824 83905823 DFPN6149E	S.66061 83904263 DFPN6149B	S.66062 83904264 DFPN6149C	S.66063 83904265 DFPN6149D
8770 03/93> POWERSTAR 7.5T					S.66525 82850251				
8830 03/90>	S.65882* 83919735 D7NN6108A				S.65995 83905823 DFPN6149E	S.65824 83905823 DFPN6149E	S.66061 83904263 DFPN6149B	S.66062 83904264 DFPN6149C	S.66063 83904265 DFPN6149D
9000 01/69>9/72					S.65995 83905823 DFPN6149E	S.65824 83905823 DFPN6149E	S.66061 83904263 DFPN6149B	S.66062 83904264 DFPN6149C	S.66063 83904265 DFPN6149D
9600 10/72>07/76					S.65995 83905823 DFPN6149E	S.65824 83905823 DFPN6149E	S.66061 83904263 DFPN6149B	S.66062 83904264 DFPN6149C	S.66063 83904265 DFPN6149D
9700 08/76>12/78	S.65882* 83919735 D7NN6108A				S.65995 83905823 DFPN6149E	S.65824 83905823 DFPN6149E	S.66061 83904263 DFPN6149B	S.66062 83904264 DFPN6149C	S.66063 83904265 DFPN6149D
TW5 01/82>03/86	S.65897* 83905772 D5NN6108S				S.65995 83905823 DFPN6149E	S.65824 83905823 DFPN6149E	S.66061 83904263 DFPN6149B	S.66062 83904264 DFPN6149C	S.66063 83904265 DFPN6149D
TW5 04/86>02/90	S.65821 83928178 E0NN6108AA	S.61313 83928180 E0NN6108CA	S.61326 83928181 E0NN6108DA	S.61327 83928182 E0NN6108EA	S.65997 83917468 DJPN6149W	S.65826 83917468 DJPN6149W	S.66064 83917469 DJPN6149X	S.66065 83917470 DJPN6149Y	S.66066 83917471 DJPN6149Z
TW10	S.65897* 83905772 D5NN6108S				S.65995 83905823 DFPN6149E	S.65824 83905823 DFPN6149E	S.66061 83904263 DFPN6149B	S.66062 83904264 DFPN6149C	S.66063 83904265 DFPN6149D
TW15 02/90	S.65882* 83919735 D7NN6108A				S.65995 83905823 DFPN6149E	S.65824 83905823 DFPN6149E	S.66061 83904263 DFPN6149B	S.66062 83904264 DFPN6149C	S.66063 83904265 DFPN6149D
TW20	S.65882* 83919735 D7NN6108A				S.65995 83905823 DFPN6149E	S.65824 83905823 DFPN6149E	S.66061 83904263 DFPN6149B	S.66062 83904264 DFPN6149C	S.66063 83904265 DFPN6149D
TW25	S.65882* 83919735 D7NN6108A				S.65995 83905823 DFPN6149E	S.65824 83905823 DFPN6149E	S.66061 83904263 DFPN6149B	S.66062 83904264 DFPN6149C	S.66063 83904265 DFPN6149D
TW30	S.65882* 83919735 D7NN6108A				S.65995 83905823 DFPN6149E	S.65824 83905823 DFPN6149E	S.66061 83904263 DFPN6149B	S.66062 83904264 DFPN6149C	S.66063 83904265 DFPN6149D
TW35	S.65882* 83919735 D7NN6108A				S.65995 83905823 DFPN6149E	S.65824 83905823 DFPN6149E	S.66061 83904263 DFPN6149B	S.66062 83904264 DFPN6149C	S.66063 83904265 DFPN6149D

These parts are Sparex parts and are not manufactured by the Original Equipment Manufacturer. Original Manufacturers' names, part numbers and descriptions are quoted for reference purposes only and are not intended to indicate or suggest that our replacement parts are made by the OEM.

Pistons, Rings & Liners (6 Cylinder) Con't.



NOTE: All liners are Unfinished

**Sparex Replacement Spare Parts
for Ford/New Holland (65->)**

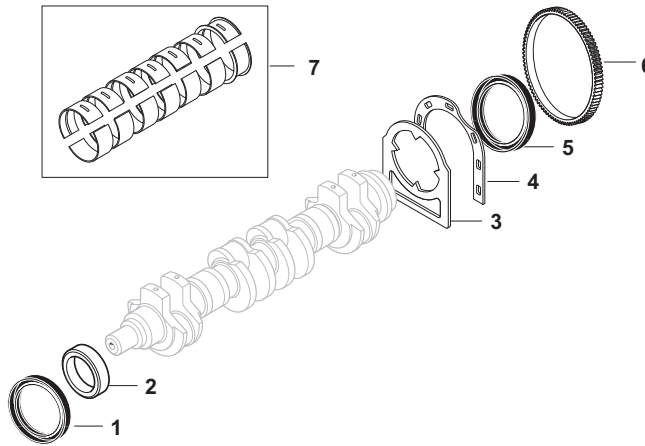


Model	Liner Standard	liner +0.030"	Liner +0.100"	Liner +0.100"			
8630 03/90>	S.65827 Flanged 83912946 D7NN6055A	S.65944 Flanged OD=+0.030"	S.65945 Flanged OD=+0.100"	S.65883 Parallel OD=+0.100"			
8670 09/93> POWERSTAR 7.5T	S.66527 83998292						
8700 08/76>12/78	S.65827 Flanged 83912946 D7NN6055A	S.65944 Flanged OD=+0.030"	S.65945 Flanged OD=+0.100"	S.65883 Parallel OD=+0.100"			
8730 03/90>	S.65827 Flanged 83912946 D7NN6055A	S.65944 Flanged OD=+0.030"	S.65945 Flanged OD=+0.100"	S.65883 Parallel OD=+0.100"			
8770 03/93> POWERSTAR 7.5T	S.66527 83998292						
8830 01/03/90>	S.65827 Flanged 83912946 D7NN6055A	S.65944 Flanged OD=+0.030"	S.65945 Flanged OD=+0.100"	S.65883 Parallel OD=+0.100"			
9000 01/69>9/72	S.65827 Flanged 83912946 D7NN6055A	S.65944 Flanged OD=+0.030"	S.65945 Flanged OD=+0.100"	S.65883 Parallel OD=+0.100"			
9600 10/72>07/76	S.65827 Flanged 83912946 D7NN6055A	S.65944 Flanged OD=+0.030"	S.65945 Flanged OD=+0.100"	S.65883 Parallel OD=+0.100"			
9700 08/76>12/78	S.65827 Flanged 83912946 D7NN6055A	S.65944 Flanged OD=+0.030"	S.65945 Flanged OD=+0.100"	S.65883 Parallel OD=+0.100"			
TW5 01/82>03/86	S.65827 Flanged 83912946 D7NN6055A	S.65944 Flanged OD=+0.030"	S.65945 Flanged OD=+0.100"	S.65883 Parallel OD=+0.100"			
TW5 04/86>	S.65827 Flanged 83912946 D7NN6055A	S.65944 Flanged OD=+0.030"	S.65945 Flanged OD=+0.100"	S.65883 Parallel OD=+0.100"			
TW10	S.65827 Flanged 83912946 D7NN6055A	S.65944 Flanged OD=+0.030"	S.65945 Flanged OD=+0.100"	S.65883 Parallel OD=+0.100"			
TW15	S.65827 Flanged 83912946 D7NN6055A	S.65944 Flanged OD=+0.030"	S.65945 Flanged OD=+0.100"	S.65883 Parallel OD=+0.100"			
TW20	S.65827 Flanged 83912946 D7NN6055A	S.65944 Flanged OD=+0.030"	S.65945 Flanged OD=+0.100"	S.65883 Parallel OD=+0.100"			
TW25	S.65827 Flanged 83912946 D7NN6055A	S.65944 Flanged OD=+0.030"	S.65945 Flanged OD=+0.100"	S.65883 Parallel OD=+0.100"			
TW30	S.65827 Flanged 83912946 D7NN6055A	S.65944 Flanged OD=+0.030"	S.65945 Flanged OD=+0.100"	S.65883 Parallel OD=+0.100"			
TW35	S.65827 Flanged 83912946 D7NN6055A	S.65944 Flanged OD=+0.030"	S.65945 Flanged OD=+0.100"	S.65883 Parallel OD=+0.100"			

These parts are Sparex parts and are not manufactured by the Original Equipment Manufacturer. Original Manufacturers' names, part numbers and descriptions are quoted for reference purposes only and are not intended to indicate or suggest that our replacement parts are made by the OEM.

Sparex Replacement Spare Parts
for Ford/New Holland (65->)

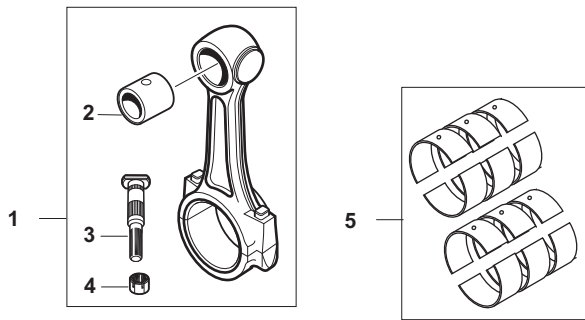
Crankshafts & Main Bearings (6 Cylinder)



SPAREX No.	DESCRIPTION	EQUIVALENT	TRACTOR MODEL
1	S.65672 Seal - Front Crankshaft (83 x 58 x 11.3mm)	87800696 C5NN6700A	8000, 8600, 8700, 9000, 9600, 9700, TW5, TW10, TW15, TW20, TW25, TW30, TW35, 7810, 7910, 8210, 8530, 8630, 8730, 8160, 8260, 8360, 8560
2	S.73592 Spacer - Front Crankshaft Seal	C5NE6B306A	8000, 8600, 8700, 9000, 9600, 9700, TW5, TW10, TW15, TW20, TW25, TW30, TW35, (7810, 7910, 8210 ->12/86)
3	S.65807 Gasket - Rear Crankshaft Seal	C7NN6N008B	8000, 8600, 8700, 9000, 9600, 9700, TW10, TW20, TW30, (TW5, TW15, TW25, TW35 ->12/86)
4	S.66049 Gasket- Rear Crankshaft Seal	E9NN6N305AB	(TW5, TW15, TW25, TW35 4/87->), 7810, 7910, 8210, 8530, 8630, 8730, 8830
5	S.65673 Seal - Rear Crankshaft	83955247 E5NN6701BA	8000, 8600, 8700, 9000, 9600, 9700, TW5, TW10, TW15, TW20, TW25, TW30, TW35, 7810, 7910, 8210, 8160, 8260, 8360, 8560
6	S.65743 Ring Gear	83949153 E2NN6384AA C5NE6384A	8000, 8600, 8700, 9000, 9600, 9700, TW5, TW10, TW15, TW20, TW25, TW30, TW35, 7810, 7910, 8210, 8530, 8630, 8730, 8830, 8240, 8340, 8670, 8770, 8870, 8970
7	S.66035 Main Bearing Set - Standard	87790355/56 CFPN6333A/B 87790488/89 FAPN6337G/H	8000, 8600, 8700, 9000, 9600, 9700, TW5, TW10, TW15, TW20, TW25, TW30, TW35, 7810, 7910, 8210, 8530, 8630, 8730
7	S.66036 Main Bearing Set - .010"	87790358 CFPN6333D 87790491 FAPN6337K	Same as Above
7	S.66037 Main Bearing Set - .020"	87790359 CFPN6333E 87790492 FAPN6337L	Same as Above
7	S.66038 Main Bearing Set - .030"	87790360 CFPN6333F 87790493 FAPN6337M	Same as Above
7	S.66039 Main Bearing Set - .040"	87790361 CFPN6333G 87790494 FAPN6337N	Same as Above
7	S.66531 Main Bearing Set - Standard	87790260 FBPN6333A 87790266 FBPN6337A	(7810S 1/94->), 8010, 7840, 8240, 8340, 8160, 8260, 8360, 8560
7	S.66532 Main Bearing Set - .010"	87790262 FAPN6333D 87790268 FAPN6337D	Same as Above
7	S.66533 Main Bearing Set - .020"	87790263 FAPN6333E 87790269 FAPN6337E	Same as Above

These parts are Sparex parts and are not manufactured by the Original Equipment Manufacturer. Original Manufacturers' names, part numbers and descriptions are quoted for reference purposes only and are not intended to indicate or suggest that our replacement parts are made by the OEM.

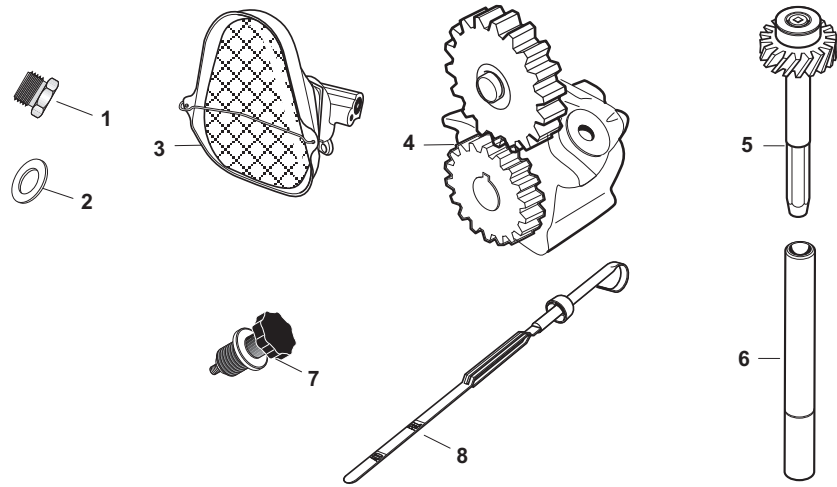
Connecting Rods & Bearings (6 Cylinder)



SPAREX No.	DESCRIPTION	EQUIVALENT	TRACTOR MODEL
1	S.66043 Connecting Rod Assembly (36mm) Journal	81875622 F2NN6200BA E9NN6200AB E9NN6200CA E3HN6200AC E4NN6200AB C7NN6200A	8000, 8600, 8700, TW5, TW10, 7810, 7910, 8210, 8530
2	S.65237 Bushing - Connecting Rod (1.50"/38mm Pin)	C5NE6207A	Same as Above
2	S.66044 Bushing - Connecting Rod (1.61"/41mm Pin)	C9NN6207C	9000, 9600, 9700, TW15, TW20, TW25, TW30, TW35
3	S.65979 Bolt - Connecting Rod	E9NN6214BA C5NE6214	8000, 8600, 8700, 9000, 9600, 9700, TW5, TW10, TW15, TW20, TW25, TW30, TW35, (7810, 7910, 8210, 8530, 8630, 8730, 8830 ->4/91)
4	S.65978 Nut - Connecting Rod	390655S2 385279S2	Same as Above
5	S.66082 Bearing - Connecting Rod Set - Std. (36mm) (Early Type- Old style Crank/old style Rods)	DFPN6211A/B	8000, 8600, 8700, TW10, (TW5, 7810, 7910, 8210, 8530 ->8/90)
5	S.66083 Bearing - Connecting Rod Set - .010" (36mm wide)	DFPN6211D	Same as Above
5	S.66084 Bearing - Connecting Rod Set - .020" (36mm wide)	DFPN6211E	Same as Above
5	S.66085 Bearing - Connecting Rod Set - .030" (36mm wide)	DFPN6211F	Same as Above
5	S.66086 Bearing - Connecting Rod Set - .040" (36mm wide)	DFPN6211G	Same as Above
5	S.66077 Bearing - Connecting Rod Set - Std. (32mm wide) (Late type- Old style Crank/New style Rods)	87790304 FAPN6211G	(TW5, 7810, 7910, 8210, 8530 9/91->), 8010, 8340 9/93->), 8160, 8260
5	S.66078 Bearing - Connecting Rod Set - .010" (32mm wide)	FAPN6211J	Same as Above
5	S.66079 Bearing - Connecting Rod Set - .020" (32mm wide)	FAPN6211K	Same as Above
5	S.66080 Bearing - Connecting Rod Set - .030" (32mm wide)	FAPN6211E	Same as Above
5	S.66081 Bearing - Connecting Rod Set - .040" (32mm wide)	FAPN6211F	Same as Above
5	S.66030 Bearing - Connecting Rod Set - Std. (36mm) (Old style Crank/Old style Rods)	DGPN6211A/B	9000, 9600, 9700, TW20, TW30, (TW15, TW25, TW35, 7830, 8630, 8830 ->8/90)
5	S.66031 Bearing - Connecting Rod Set - .010" (36mm wide)	DGPN6211C	Same as Above
5	S.66032 Bearing - Connecting Rod Set - .020" (36mm wide)	DGPN6211D	Same as Above
5	S.66033 Bearing - Connecting Rod Set - .030" (36mm wide)	DGPN6211E	Same as Above
5	S.66034 Bearing - Connecting Rod Set - .040" (36mm wide)	DGPN6211F	Same as Above
5	S.66537 Bearing - Connecting Rod Set - Std. (32mm)	FAPN6211S/T	(8000, 8600, 8700, TW10 Old Style Crank w/ New Style Rods), (TW5, 7810, 7910, 8210 New Style Crank w/ Original Rods 9/90-9/91), 7840, 8240, 8340
5	S.66538 Bearing - Connecting Rod Set - .010" (32mm wide)	FAPN6211C	Same as Above
5	S.66539 Bearing - Connecting Rod Set - .020" (32mm wide)	FAPN6211D	Same as Above

Sparex Replacement Spare Parts
for Ford/New Holland (65->)

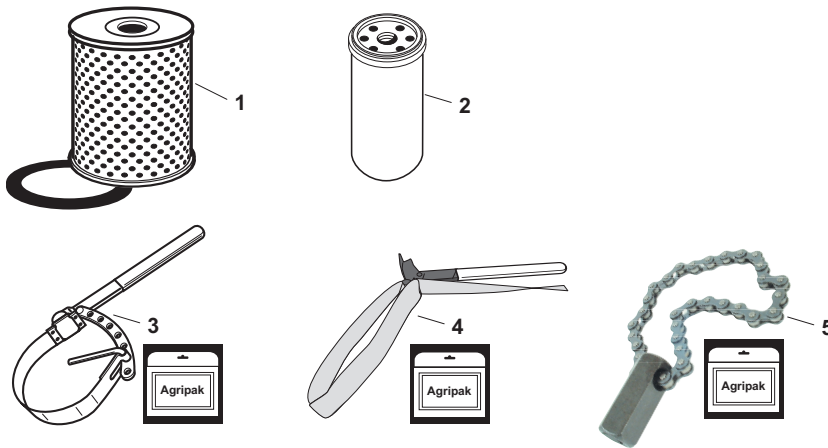
Oil Pan, Pumps and Related Components (6 Cylinder)



SPAREX No.	DESCRIPTION	EQUIVALENT	TRACTOR MODEL
1	S.65276 Drain Plug - Oil Pan (7/8"-16)	C5NE6730B	(8000, 9000 ->12/69)
1	S.65275 Drain Plug - Oil Pan(3/4"-16)	C9NN6730B	(8000, 9000 1/70->), 8600, 8700, 9600, 9700, 7810, 7810S, 7910, 8010, 8210, 8530, 8630, 8730, 8830, 7840, 8240, 8340, 8160, 8260, 8360, 8560, 8670, 8770, 8870, 8970
2	S.05719 Fiber Washer - Drain Plug (7/8")	EBU6734A	(8000, 9000 ->12/69)
2	S.05718 Fiber Washer (3/4")	C9NN6734A	(8000, 9000 1/70->), 8600, 8700, 9600, 9700, 7810, 7810S, 7910, 8010, 8210, 8530, 8630, 8730, 8830, 7840, 8240, 8340, 8160, 8260, 8360, 8560, 8670, 8770, 8870, 8970
3	S.66823 Oil Pump	E1NN6600AA E1NN6600AC	8000, 8600, 8700, 9000, 9600, 9700, 7810
4	S.66821 Oil Pump	87840275 D8NN6600AJ	TW10, TW15, TW20, TW25, TW30, TW35, 8630, 8730, 8830
5	S.65267 Shaft & Gear - Oil Pump Drive	87800008 E9NN6A820AA	8000, 8600, 8700, 9000, 9600, 9700
6	S.65271 Shaft - Oil Pump Drive - Intermediate	C7NN6A605A	8000, 8600, 8700, 9000, 9600, 9700, 7810
7	S.65765 Oil Filler Cap - Timing Cover	83907851 D5NN6N609A	8000, 8600, 8700, 9000, 9600, 9700, TW5, TW10, TW15, TW20, TW25, TW30, TW35, 7810, 7910, 8210, 8630, 8730, 8830
8	S.65274 Dipstick	87801534 E9NN6750BA	8000, 8600, 8700, 9000, 9600, 9700

Sparex Replacement Spare Parts
for Ford/New Holland (65->)

Engine Oil Filters and Related Components (6 Cylinder)

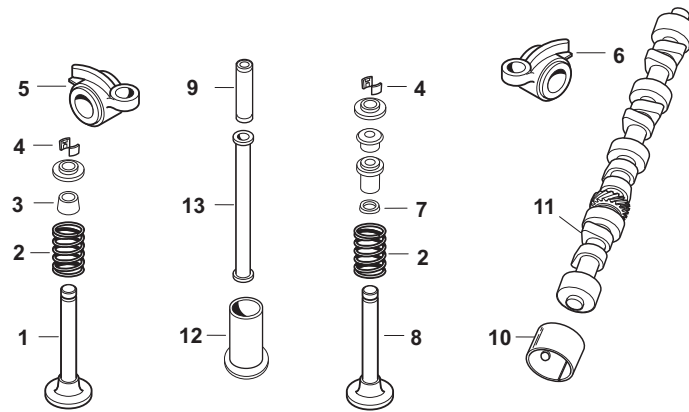


SPAREX No.	DESCRIPTION	EQUIVALENT	TRACTOR MODEL
1	S.76502 Engine Oil Filter - Cartridge Type (4.59" OD, .75" ID, 4.87" Height)	86546611 DGPN6731A	8000, 8600, 8700, 9000, 9600, 9700
2	S.76506 Engine Oil Filter - Spin-on Type (5.56" OD, 1 1/8"-16 ID, 6.0" Height)	86546615 E7NN6714BB	TW5, TW10, TW15, TW20, TW25, 7810, 7910, 8210, 8530, 8630, 8730
2	S.68723 Engine Oil Filter - Spin-on Type (3.67" OD, 1"-12 UNF ID, 6.88" Height)	F2NN6714AB	7810S, 8010, 7840, 8240, 8340, 8160, 8260, 8360, 8560, 8670, 8770, 8870, 8970
2	S.76426 Engine Oil Filter - Spin-on Type (4.28" OD, 1"-12 ID, 5.10" Height)	86546616 E7NN6714CA	TW30, TW35, 8830
3	S.05791 Adjustable Oil Filter Wrench - 1 pc Pack (3.5" - 4 1/2")		
3	S.08937 Adjustable Oil Filter Wrench - 1 pc Pack (4" - 6")		
4	S.14482 Filter Wrench - 1 pc Pack (Strap Length = 22.44")		Universal
5	S.12430 Chain Oil Filter Wrench - 1 pc (1/2" Drive)		
5	S.12431 Chain Oil Filter Wrench - 1 pc (1/2" Drive)		

These parts are Sparex parts and are not manufactured by the Original Equipment Manufacturer. Original Manufacturers' names, part numbers and descriptions are quoted for reference purposes only and are not intended to indicate or suggest that our replacement parts are made by the OEM.

Sparex Replacement Spare Parts for Ford/New Holland (65->)

Valves, Camshafts (6 Cylinder)

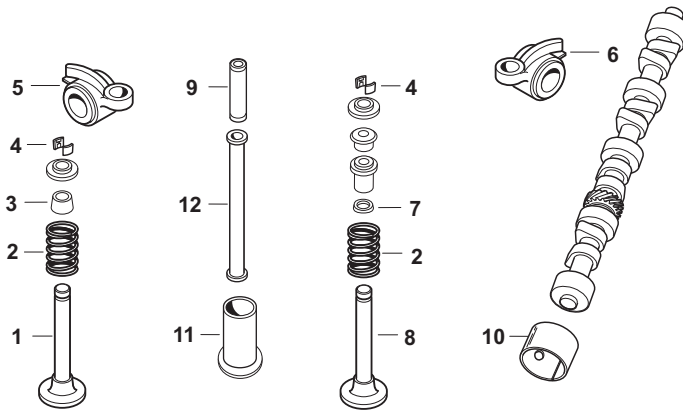


SPAREX No.	DESCRIPTION	EQUIVALENT	TRACTOR MODEL
1	S.65701 Intake Valve (Standard Stem)	87800344 C5NN6507B D3NN6507A	8000, 8600, 8700, TW5, TW10, 8210, 8530
1	S.65925 Intake Valve (.003" Oversize Stem)	87800345 C5NN6507C D3NN6507B	Same as Above
1	S.65929 Intake Valve (.015" Oversize Stem)	87800346 C5NN6507D D3NN6507C	Same as Above
1	S.65935 Intake Valve (.030" Oversize Stem)	87800347 C5NN6507E D3NN6507D	Same as Above
1	S.65702 Intake Valve (Standard Stem - 30° Angle)	87800386 D8NN6507AB D8NN6507AA	8630, 8730, 8830, 9000, 9600, 9700, TW15, TW20, TW25, TW30, TW35
1	S.65926 Intake Valve (.003" Oversize Stem)	87800387 D8NN6507BB D8NN6507BA	Same as Above
1	S.65931 Intake Valve (.015" Oversize Stem)	87800388 D8NN6507CB D8NN6507CA	Same as Above
1	S.65932 Intake Valve (.030" Oversize Stem)	87800389 D8NN6507DB D8NN6507DA	Same as Above
1	S.66540 Intake Valve (Standard Stem)	E9NN6507AC	7810S, 7840, 8240, 8340, 8010, 8160, 8260
1	S.66541 Intake Valve	82850530 F0NN6507AD	8360, 8560, 8670, 8770, 8870, 8970
2	S.65711 Valve Spring	D6NN6513A	8000, 8600, 8700, 9000, 9600, 9700, TW5, TW10, TW15, TW20, TW25, TW30, TW35, (7810, 7910, 8210, 8530, 8730, 8830 ->9/91)
2	S.66028 Valve Spring	E9NN6513BA	(7810 10/91->), 7810S, (7910, 8010, 8210, 8530, 8630, 8730, 8830 10/91->), 7840, 8240, 8340, 8160, 8260, 8360, 8560, 8670, 8770, 8870, 8970
3	S.66798 Seal - Intake Valve	C5NE6571A	8000, 8600, 8700, 7810, 7910, 8210, (TW5, TW15, TW25, TW35, 8530, 8630, 8730, 8830 ->9/91)
4	S.66758 Key - Valve Lock (Order 2 per Valve)	81876796 C1AE6518A	8000, 8600, 8700, 9000, 9600, 9700, TW5, TW10, TW15, TW20, TW25, TW30, TW35, 7810, 7810S, 7910, 8010, 8210, 8530, 8630, 8730, 8830, 8240, 8340, 8160, 8260, 8360, 8560, 8670, 8770, 8870, 8970
5	S.66780 Rocker Arm - Intake Only	83956710 D9NN6529AB	7810S, 8010, 7840, 8240, 8340, 8160, 8260, 8360, 8560
6	S.66781 Rocker Arm - Exhaust only	81804316 C5NE6529A	7810S, 8010, 7840, 8240, 8340, 8160, 8260, 8360, 8560
7	S.66799 Seal - Exhaust Valve	C5NE6571B	8000, 8600, 8700, 9000, 9600, 9700, TW5, TW10, TW15, TW20, TW25, TW30, TW35, (7810, 7910, 8210, 8530, 8630, 8730, 8830 ->9/91)

These parts are Sparex parts and are not manufactured by the Original Equipment Manufacturer. Original Manufacturers' names, part numbers and descriptions are quoted for reference purposes only and are not intended to indicate or suggest that our replacement parts are made by the OEM.

Sparex Replacement Spare Parts
for Ford/New Holland (65-➔)

Valves, Camshafts (6 Cylinder)

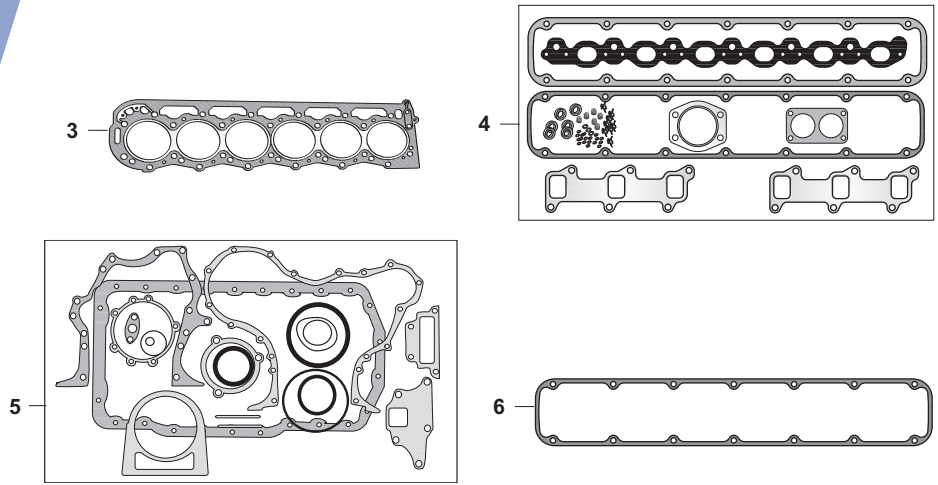


SPAREX No.	DESCRIPTION	EQUIVALENT	TRACTOR MODEL
8	S.65712 Exhaust Valve (Standard Stem)	C7NN6505E	8000, 8600, 8700
8	S.65924 Exhaust Valve (.003" Oversize Stem)	C7NN6505F	Same as Above
8	S.65927 Exhaust Valve (.015" Oversize Stem)	C7NN6505G	Same as Above
8	S.65940 Exhaust Valve (.030" Oversize Stem)	C7NN6505H	Same as Above
8	S.65706 Exhaust Valve (Standard Stem)	D8NN6505AA	9000, 9600, 9700, TW5, TE10, TW15, TW20, TW25, TW30, TW35, 7810, 7910, 8210, 8530, 8630, 8730, 8830
8	S.65923 Exhaust Valve (.003" Oversize Stem)	D8NN6505BB	Same as Above
8	S.65928 Exhaust Valve (.015" Oversize Stem)	D8NN6505CB	Same as Above
8	S.65939 Exhaust Valve (.030" Oversize Stem)	D8NN6505DB	Same as Above
9	S.66543 Exhaust Valve - Standard Stem	81865085 E9NN6505EC	7810S, 8010, 7840, 8240, 8340, 8160, 8260
9	S.66542 Exhaust Valve - Standard Stem	82850523 F0NN6505AD	8360, 8560, 8670, 8770, 8870, 8970
10	S.65872 Bushing - Camshaft (5 per Engine)	878200499 C5NE6261B	8000, 8600, 8700, 9000, 9600, 9700, TW5, TW10, TW15, TW20, TW25, TW30, TW35, 7810, 7810S, 7910, 8010, 8210, 8530, 8630, 8730, 8830, 7840, 8240, 8340, 8160, 8260, 8360, 8560, 8670, 8770, 8870, 8970
11	S.65306 Tappet (2.06") Use w/ 12.17" Push Rod Diesel Only	83946434 C7NN6500B	8000, 8600, 8700, 9000, 9600, 9700, TW5, TW10, TW15, TW20, TW25, TW30, TW35, 7810, 7810S, 7910, 8010, 8210, 8530, 8630, 8730, 8830, 7840, 8240, 8340, 8160, 8260, 8360, 8560
12	S.66363 Push Rod (12.17" Long)	C5NE6567B	(8000, 8600, 8700, 9000, 9600, 9700, TW5, TW10, TW15, TW20, TW25, TW30, TW35, 7810, 7910, 8210, 8530, 8630, 8730, 8830

These parts are Sparex parts and are not manufactured by the Original Equipment Manufacturer. Original Manufacturers' names, part numbers and descriptions are quoted for reference purposes only and are not intended to indicate or suggest that our replacement parts are made by the OEM.

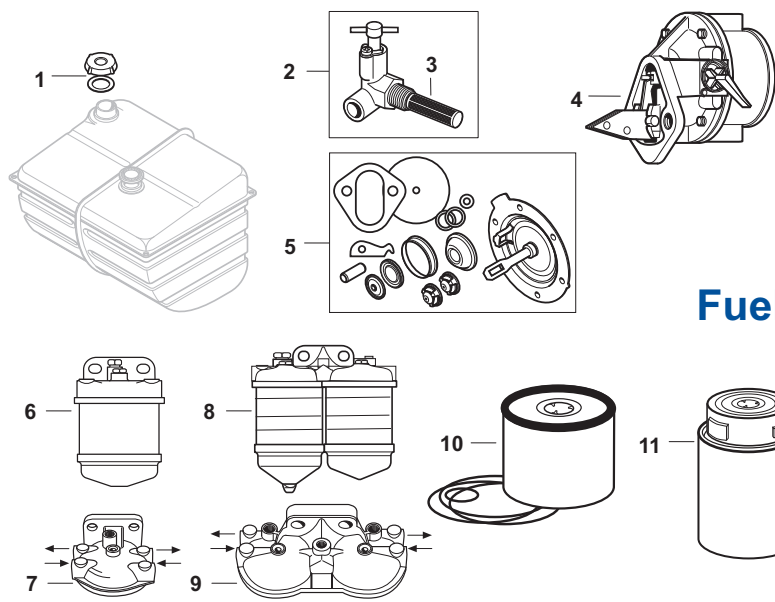
Sparex Replacement Spare Parts for Ford/New Holland (65->)

Gaskets (6 Cylinder)



Models	1-Full Set	2-Top Set	3-Head Gasket	4-Service Set	5-Bottom Set	6-Rocker Cover	7-Oil Pan Gasket
8000, 8600, 8700, 9000, 9600, 9700, TW5, TW10, TW15, TW20, TW25, TW30, TW35, 7810, 7910, 8210, 8530, 8630, 8730, 8830			S.65956 E9NN6051AA	S.65994 ECPN6008AA	S.66310 ECPN6A008AA	S.65981 (->11/86)	
7810S, 7840, 8240, 8340, 8160, 8260			S.65848 E9NN6051BA	S.66546 FDPN6008B (except 8160, 8260)	S.66547 FDPN6A008B (except 8160, 8260)		

Sparex Replacement Spare Parts
for Ford/New Holland (65->)



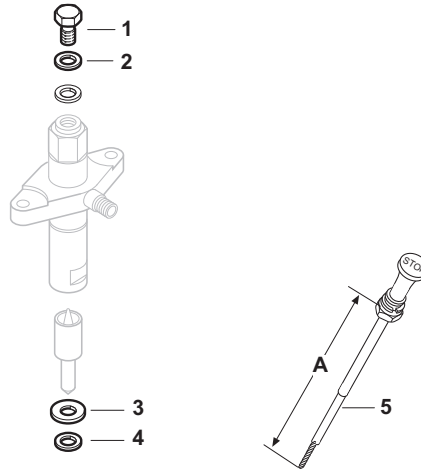
Fuel Tanks, Lift Pumps and Filters (6 Cylinder)

SPAREX No.	DESCRIPTION	EQUIVALENT	TRACTOR MODEL
1	S.65819 Cap - Fuel Tank w/ 2 Lugs	E7NN9030AA	7810, 7810S, 7910, 8010, 8210, 8530, 8630, 8730, 8830, TW5, TW10, TW15, TW20, TW25, TW30, TW35
2	S.65286 Shut-Off Assembly - Economy	E2NN9N024AA D8NN9N024AB	Same as Above
2	S.65714 Shut-Off Assembly - Brass Stem	E2NN9N024AA D8NN9N024AB	Same as Above
3	S.65287 Filter - Fuel Shut-Off	D9NN9N187AA	Same as Above
4	S.40562 Lift Pump w/ Simms Injector Pump	D8NN9350AB	8000, 8600, 8700, 9000, 9600, 9700, TW5, TW10, TW15, TW20, TW25, TW30, TW35, 7810, 7910, 8210, 8530, 8630, 8730, 8830
5	S.65285 Repair Kit - Lift Pump w/ Simms Injector Pump	693F9K340AA	Same as Above
6	S.60425 Fuel Filter Assembly - CAV/Simms type (1/2" x 20 UNF Ports)		Outer Ports "In", Inner Ports "Out"
7	S.42127 Filter Head - Bare Casting - CAV/Simms type (1/2" x 20 UNF Ports)		Outer Ports "In", Inner Ports "Out"
8	S.60426 Fuel Filter Assembly - CAV/Simms type (1/2" x 20 UNF Ports)		Outer Ports "In", Inner Ports "Out"
9	S.42128 Filter Head - Bare Casting - CAV/Simms type (1/2" x 20 UNF Ports)		Outer Ports "In", Inner Ports "Out"
10	S.40542 Fuel Filter - CAV/Simms type (3.46" OD, .75" ID, 2.85" Height)	83937061 EDPN9N074AA CAV7111/296	
10	S.40543 Fuel Filter - CAV/Simms type (3.50 OD, .75" ID, 4.44" Height)	D8NN9176AA CAV7111/796	
11	S.76373 Fuel Filter - Primary (Fuel/Water Separator)	87840591	8160, 8260, 8360, 8560
11	S.76372 Fuel Filter - Secondary	87840590	8160, 8260, 8360, 8560
12	S.76328 Fuel Filter - Bosch type - Thread-on (3.46" OD, M16x1.5" ID, 6.10" Height)	86555246 87800220 1930010	7810S, 8010, 7840, 8240, 8340
13	S.76371 Fuel Filter - Primary (Fuel/Water Separator)	87840136	8670, 8770, 8870, 8970
14	S.00296 Fuel Filters - Box of 6 - CAV/Simms type (3.46" OD, .75" ID, 2.85" Height)	83937061 EDPN9N074AA CAV7111/296	
15	S.19156 Fuel/Leak-off Hose (4mm/.157" ID, 50' Spool)		
15	S.19157 Fuel/Leak-off Hose (5mm/.197" ID, 50' Spool)		

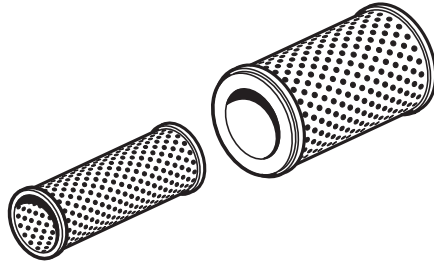
These parts are Sparex parts and are not manufactured by the Original Equipment Manufacturer. Original Manufacturers' names, part numbers and descriptions are quoted for reference purposes only and are not intended to indicate or suggest that our replacement parts are made by the OEM.

Sparex Replacement Spare Parts
for Ford/New Holland (65->)

Fuel System and Related Components (6 Cylinder)



	SPAREX No.	DESCRIPTION	EQUIVALENT	TRACTOR MODEL
1	S.66006	Bolt - Leak-off	D1NN9R523A	8000, 8600, 8700, 9000, 9600, 9700, TW5, TW10, TW15, TW20, TW25, TW30, TW35, 7810, 7910, 8210, 8530, 8630, 9730, 8830
2	S.11113	Washer - Leak-off Line (3/8" ID, 7/16" OD)	380428S	Same as Above
3	S.66776	Cork Seal - Injector (Pack of 10)	81806277 C5NE9F596A	Same as Above
4	S.11112	Sealing Washer - Injector (7/16" ID, 11/16" OD)	C5NE9E529A	Same as Above
5	S.65747	Shut-off Cable (A=66")	E5NN9C331DB	8700, 9700, TW5, TW10, TW15, TW20, TW25, TW30, TW35
5	S.14551	Shut-off Cable (A=85 1/2") Cut to fit		Universal



Sparex Replacement Spare Parts for Ford/New Holland (65->)

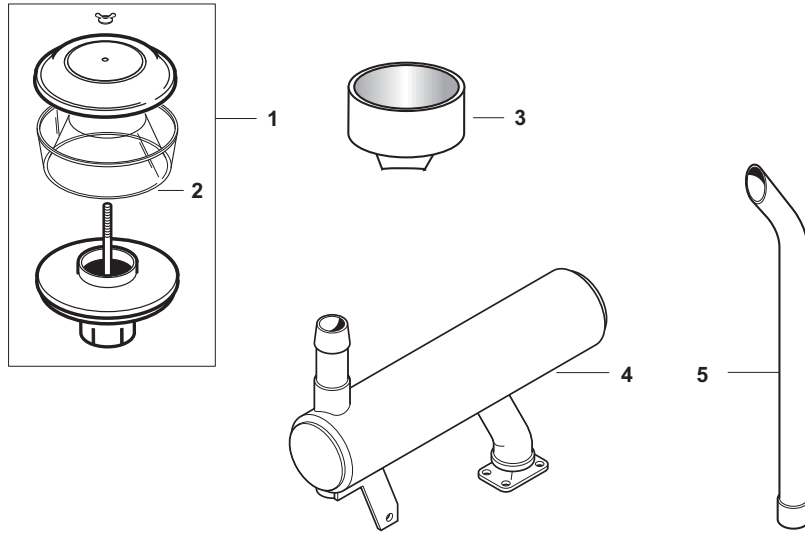
Air Filters (6 Cylinder - Dry)

TRACTOR MODEL	OUTER	DIMENSION	INNER	DIMENSION
7810, 7810S, 7910, 8210, (w/ Steel Air Cleaner) 8600, 8700	S.76516 E9NN9601AA	(7.38"OD Top, 6.69"OD Bot, .50"ID Top, 3.76"ID Bot, 15.44" Ht)	S.65808 D1NN9R500A	(3.62"OD, .44"ID Top, 3.06"ID, 13.81" Ht)
7810S, 8010 w/ Donaldson Plastic Air Cleaner)	S.76873 82981152	(6.45"OD Top, 3.61"ID Bot, 13.91" Ht)	S.76747 82981153	(3.40"OD, 3.63"OD Bot, 2.50"ID Bot, 13.36" Ht)
(9000 ->9/72), (960010/72-7/76)	S.61811 E6NN9601BB	(6.96"OD Top, 4.62"ID, 14.38" Ht)	S.76214 E6NN9R500EB	(4.56"OD, 3.43" ID, 13.75" Ht)
(9700 8/76->)	S.76526 D5NN9B618B D6NN9B618BB	(10.00"OD Top, 9.03"OD Bot, .54"ID Top, 5.69" ID Bot, 16.00" Ht)	S.76513 E6NN9R500FB	(5.56"OD, .50" ID Top, 4.43" ID Bot, 15.75" Ht)
TW5, TW10	S.76516 E9NN9601AA	(7.38"OD Top, 6.69"OD Bot, .50"ID Top, 3.76"ID Bot, 15.44" Ht)	S.65808 D1NN9R500A	(3.62"OD, .44"ID Top, 3.06"ID, 13.81" Ht)
TW15, TW20	S.76526 D5NN9B618B D6NN9B618BB	(10.00"OD Top, 9.03"OD Bot, .54"ID Top, 5.69"ID Bot, 16.00" Ht)	S.76513 E6NN9R500FB	(5.56"OD, .50" ID Top, 4.43" ID Bot, 15.75" Ht)
TW25, TW30, TW35	S.76518 D8NN9B618AA	(9.90"OD Top, 9.12" OD Bot, .53"ID Top, 5.78"ID Bot, 18.50" Ht)	S.76517 D8NN9R500AA	(5.68"OD, .66"ID Top, 4.75"ID Bot, 17.50" Ht)
8530	S.76516 E9NN9601AA	(7.38"OD Top, 6.69"OD Bot, .50"ID Top, 3.76"ID Bot, 15.44" Ht)	S.65808 D1NN9R500A	(3.62"OD, .44"ID Top, 3.06"ID, 13.81" Ht)
8630	S.76526 D5NN9B618B D6NN9B618BB	(10.00"OD Top, 9.03"OD Bot, .54"ID Top, 5.69" ID Bot, 16.00" Ht)	S.76513 E6NN9R500FB	(5.56"OD, .50" ID Top, 4.43" ID Bot, 15.75" Ht)
8730, 8830	S.76518 D8NN9B618AA	(9.90"OD Top, 9.12"OD Bot, .53"ID Top, 5.78"ID Bot, 18.50" Ht)	S.76517 D8NN9R500AA	(5.68"OD, .66"ID Top, 4.75"ID Bot, 17.50" Ht)
7840, 8240 (8340 ->9/93 NonTurbo) 8160, 8260, 8360, 8560	S.76549 82011402 82008600 E9NN9B618BA	(8.62"OD Top, 7.43"OD Bot, .43"ID Top, 3.77"ID Bot, 13.05" Ht)	S.76512 82008601 E9NN9R500AB	(3.59"OD Top, 4.33"OD Bot, .43"ID Top, 3.00"ID Bot, 11.42" Ht)
(8340 10/93-> Turbo)	S.76406 82008596		S.76407 82008597	
8670, 8770, 8870, 8970	S.76369 9846494	(9.89"OD Top, .65"ID Top, 6.06"ID Bot, 16.00" Ht)	S.76370 9846495	(5.93"OD Top, .66"ID Top, 4.87"ID Bot, 14.75" Ht)

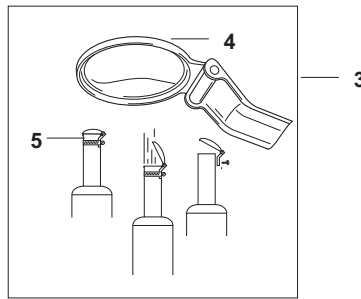
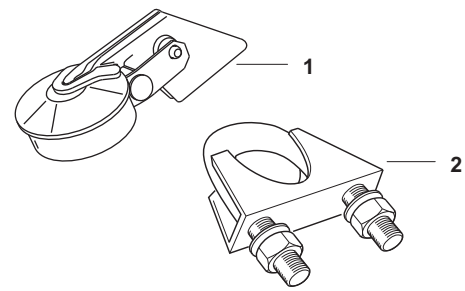
These parts are Sparex parts and are not manufactured by the Original Equipment Manufacturer. Original Manufacturers' names, part numbers and descriptions are quoted for reference purposes only and are not intended to indicate or suggest that our replacement parts are made by the OEM.

Sparex Replacement Spare Parts
for Ford/New Holland (65->)

Pre-Cleaners and Mufflers (6 Cylinder)



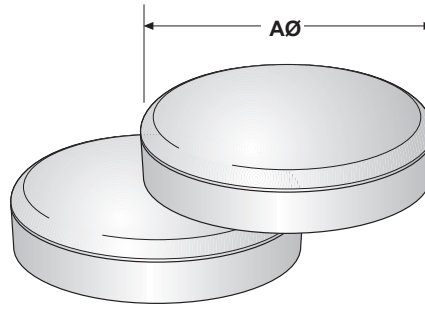
	SPAREX No.	DESCRIPTION	EQUIVALENT	TRACTOR MODEL
1	S.41395	Pre-Cleaner Assembly (3" Inlet, 10" Bowl)	81821684 C9NN9A660C	
1	S.41394	Pre-Cleaner Assembly (4" Inlet, 10" Bowl)	81826245 D3NN9A660E	
2	S.41398	Bowl - Quality Plastic (10")	82980264 C9NN9A660C	
2	S.41403	Bowl - Economy Plastic (10")	81821685 C9NN9A663A	
3	S.75832	Dust Collector - Rubber (Fits 3" Pipe)	F0NN9C673AA D2NN9C673B	
4	S.75996	Muffler	82009294 E9NN5230ED17M	7840, 8240, 8340
5	S.75997	Pipe	82004294 D9NN5C262AB17M	7840, 8240, 8340



Muffler Clamps and Caps

SPAREX No.	DESCRIPTION	EQUIVALENT	TRACTOR MODEL
1	S.14448	Weather Cap (1 1/2")	
1	S.14449	Weather Cap (1 3/4")	
1	S.14445	Weather Cap (2")	
1	S.14446	Weather Cap (2 1/4")	
1	S.14447	Weather Cap (2 1/2")	
1	S.19780	Weather Cap (2 3/4")	
1	S.19781	Weather Cap (3")	
2	S.08872	Muffler Clamps (1 1/8")	
2	S.08873	Muffler Clamps (1 1/4")	
2	S.08874	Muffler Clamps (1 3/8")	
2	S.08875	Muffler Clamps (1 1/2")	
2	S.08876	Muffler Clamps (1 5/8")	
2	S.08877	Muffler Clamps (1 11/16")	
2	S.08878	Muffler Clamps (1 3/4")	
2	S.08879	Muffler Clamps (1 7/8")	
2	S.08880	Muffler Clamps (2")	
2	S.06314	Muffler Clamps (2 1/8")	
2	S.06315	Muffler Clamps (2 1/4")	
2	S.08881	Muffler Clamps (2 3/8")	
2	S.08882	Muffler Clamps (2 1/2")	
2	S.08883	Muffler Clamps (2 5/8")	
3	S.02280	Weather Cap Kit	Contains: S.00633 (2 1/4"), S.04331 Hose Clamp
3	S.06344	Weather Cap Kit	Contains: S.06340 (2 3/4"), S.04332 Hose Clamp
4	S.00633	Weather Cap (2 1/4")	
4	S.06340	Weather Cap (2 3/4")	
5	S.04331	Hose Clamp (2 1/4")	
5	S.04332	Hose Clamp (2 3/4")	

Core Plugs



SPAREX No.	DESCRIPTION	EQUIVALENT	TRACTOR MODEL
S.08529	Core Plug (A=3/4" / 19.44mm) Mild Steel	83417040 376099	
S.08444	Core Plug (A=7/8" / 22.27mm) Mild Steel	81821893 380391S	
S.08448	Core Plug (A=1" / 25.78mm) Mild Steel		
S.12688	Core Plug (A=1.5/32" / 29.00mm) Stainless Steel	83957021 390624S	
S.08449	Core Plug (A=1.1/4" / 32.18mm) Mild Steel	115476	
S.08451	Core Plug (A=1.3/8" / 35.36mm) Mild Steel	111737	
S.08450	Core Plug (A=1.1/2" / 38.53mm) Mild Steel		
S.08446	Core Plug (A=1.1/2" / 38.53mm) Mild Steel	83935922 367642S36	
S.14458	Core Plug (A=1.1/2" / 38.53mm) Stainless Steel	83957023 390626S	
S.08445	Core Plug (A=1.9/16" / 39.95mm) Mild Steel	83935917 376808S36	
S.14534	Core Plug (A=1.5/8" / 41.27mm) Mild Steel	83416689 353000S	
S.14452	Core Plug (A=1.5/8" / 41.27mm) Stainless Steel	83416689 353000S	
S.12868	Core Plug (A=1.5/8" / 41.27mm) Mild Steel		
S.08447	Core Plug (A=1.3/4" / 44.75mm) Mild Steel	83957025 390628S	
S.14459	Core Plug (A=1.3/4" / 44.75mm) Stainless Steel	83957025 390628S	
S.00538	Core Plug (A=1.3/4" / 44.75mm) Mild Steel (Flat Type)		
S.65762	Core Plug (A=1.13/16" / 46.05mm) Stainless Steel	83957026 390629S	
S.08530	Core Plug (A=2.3/16" / 55.90mm) Mild Steel	83417056 376809	
S.08531	Core Plug (A=2.3/16" / 55.90mm) Stainless Steel	81901131 E457012S	