

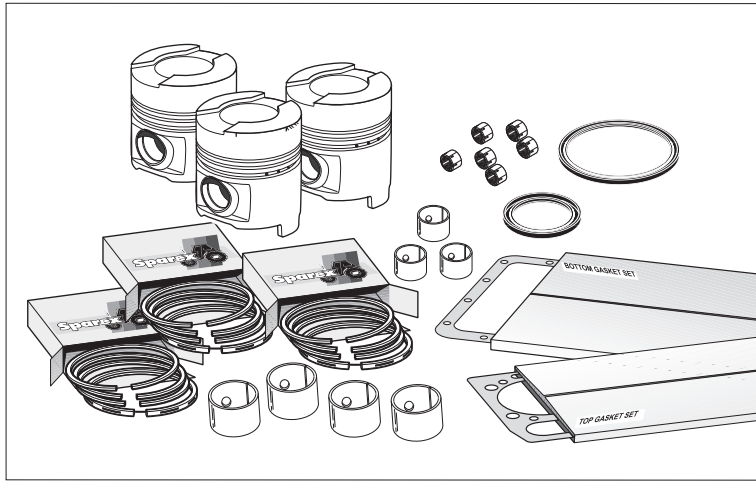
## Engine and Related Components (3 Cylinder)

Page No.

2-25	Engine and Related Components - 3 Cylinder
27-50	Engine and Related Components - 4 Cylinder
53-69	Engine and Related Components - 6 Cylinder
<hr/>	
2	Engine Overhaul Kits (Gas)- 3 Cylinder
3-4	Engine Overhaul Kits (Diesel) - 3 Cylinder
5-8	Pistons, Rings & Liners - 3 Cylinder
9-10	Crankshafts & Main Bearings - 3 Cylinder
11	Connecting Rods & Bearings - 3 Cylinder
12-13	Oil Pan, Pumps and Related Components - 3 Cylinder
14	Engine Oil Filters - 3 Cylinder
15-16	Valves & Camshafts - 3 Cylinder
17	Gaskets - 3 Cylinder
18	Fuel Tanks, Lift Pumps & Filters - 3 Cylinder
19	Fuel System and Related Components - 3 Cylinder
20-22	Air Filters - 3 Cylinder
23	Air Cleaners - 3 Cylinder
24	Manifolds & Exhaust System - 3 Cylinder
25	Mufflers - 3 Cylinder

Legend: -> before date means "up to"  
-> after date means "on"

These parts are Sparex parts and are not manufactured by the Original Equipment Manufacturer. Original Manufacturers' names, part numbers and descriptions are quoted for reference purposes only and are not intended to indicate or suggest that our replacement parts are made by the OEM.



# F3

Sparex Replacement Spare Parts  
for Ford/New Holland (65-➔)

## Engine Overhaul Kits (3 Cylinder, Gas)

NOTE: Compression distance is measured from center of piston pin hole to top of piston.

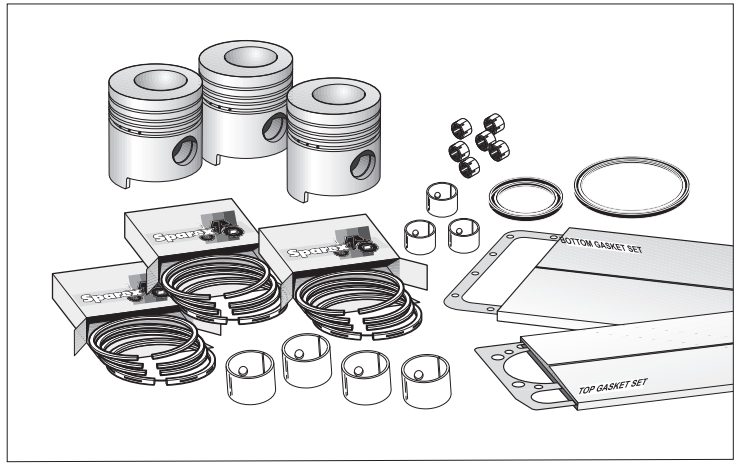
SPAREX No.	DESCRIPTION	EQUIVALENT	TRACTOR MODEL
1	<b>S.66990</b> Overhaul Kit - Standard Piston - 158 cu in - Gas (4.2 Bore, 3.8 Stroke) Piston Pin 1.50", Compression Distance 2.950"		<b>2000, 3000, Ind.2110LCG, 3400, 3500</b> Includes: Pistons S.66651 X 3, Rings S.66660 X 3, Connecting Rod Bushings S.65237 X 3, Connecting Rod Nuts S.65978 X 6, Camshaft Bushings S.65872 X 4, Upper Gasket Set S.66876 X 1, Lower Gasket Set w/ Crankshaft Seals S.65299 X 1
1	<b>S.66991</b> Overhaul Kit - .020" Piston - 158 cu in - Gas		Piston S.66652 x 3, Rings S.66661 x 3
1	<b>S.66992</b> Overhaul Kit - .040" Piston - 158 cu in - Gas		Piston S.66653 x 3, Rings S.66662 x 3
1	<b>S.66993</b> Overhaul Kit - Standard Piston - 158 cu in - Gas (4.2 Bore, 3.8 Stroke) Piston Pin 1.50", Compression Distance 2.950"		<b>2600, 2610, 2910, Ind. 230A, 231</b> Includes: Pistons S.66651 X 3, Rings S.66660 X 3, Connecting Rod Bushings S.65237 X 3, Connecting Rod Nuts S.65978 X 6, Camshaft Bushings S.65872 X 4, Upper Gasket Set S.66875 X 1, Lower Gasket Set w/ Crankshaft Seals S.65299 X 1
1	<b>S.66994</b> Overhaul Kit - .020" Piston - 158 cu in - Gas		Piston S.66652 x 3, Rings S.66661 x 3
1	<b>S.66995</b> Overhaul Kit - .040" Piston - 158 cu in - Gas		Piston S.66653 x 3, Rings S.66662 x 3

These parts are Sparex parts and are not manufactured by the Original Equipment Manufacturer. Original Manufacturers' names, part numbers and descriptions are quoted for reference purposes only and are not intended to indicate or suggest that our replacement parts are made by the OEM.

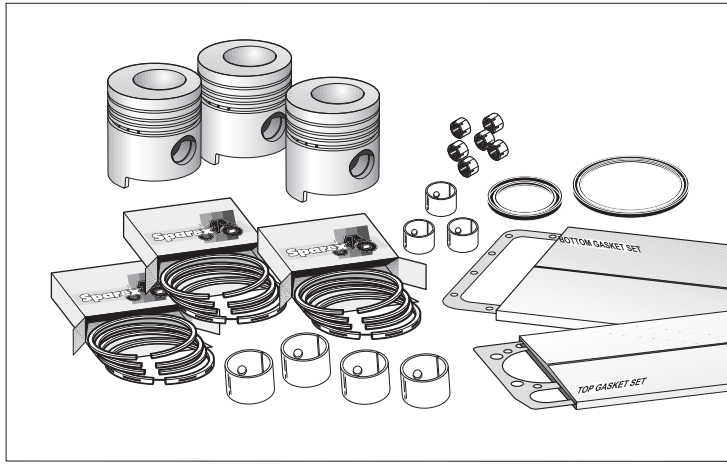
## Sparex Replacement Spare Parts for Ford/New Holland (65->)

### Engine Overhaul Kits (3 Cylinder, Diesel)

NOTE: Compression distance is measured from center of piston pin hole to top of piston.



SPAREX No.	DESCRIPTION	EQUIVALENT	TRACTOR MODEL
<b>S.66963</b>	Overhaul Kit - Standard Piston - 158 cu in - Diesel (4.2 Bore, 3.8 Stroke) Piston Pin 1.50", Compression Distance 2.950"		<b>2000, Ind. 2110LCG,</b> Includes: Pistons S.61307 x 3, Rings S.65825 x 3, Connecting Rod Bushings S.65237 x 3, Connecting Rod Nuts S.65978 x 6, Camshaft Bushings S.65872 x 4, Upper Gasket Set S.65292 x 1, Lower Gasket Set w/ Crankshaft Seals S.65299 X 1
<b>S.66964</b>	Overhaul Kit w/ .020" Oversize Pistons & Rings		Includes: Pistons S.61308 x 3, Rings S.66058 x 3
<b>S.66965</b>	Overhaul Kit w/ .030" Oversize Pistons & Rings		Includes: Pistons S.61309 x 3, Rings S.66059 x 3
<b>S.66978</b>	Overhaul Kit - Standard Piston - 158 cu in - Diesel (4.2 Bore, 3.8 Stroke) Piston Pin 1.50", Compression Distance 2.950"		<b>2600, 2310, 2810, Ind. 231, 233</b> Includes: Pistons S.61307 x 3, Rings S.65825 x 3, Connecting Rod Bushings S.65237 x 3, Connecting Rod Nuts S.65978 x 6, Camshaft Bushings S.65872 x 4, Upper Gasket Set S.65294 x 1, Lower Gasket Set w/ Crankshaft Seals S.65299 X 1
<b>S.66979</b>	Overhaul Kit w/ .020" Oversize Pistons & Rings		Includes: Pistons S.61308 x 3, Rings S.66058 x 3
<b>S.66980</b>	Overhaul Kit w/ .030" Oversize Pistons & Rings		Includes: Pistons S.61309 x 3, Rings S.66059 x 3
<b>S.66966</b>	Overhaul Kit - Standard Piston - 175 cu in - Diesel (4.2 Bore, 4.2 Stroke) Piston Pin 1.50", Compression Distance 2.762"		<b>3000, Ind. 3400, 3500, 3550</b> Includes: Pistons S.65822 x 3, Rings S.65825 x 3, Connecting Rod Bushings S.65237 x3, Connecting Rod Nuts S.65978 x 6, Camshaft Bushings S.65872 x 4, Upper Gasket Set S.65292 x 1, Lower Gasket Set w/ Crankshaft Seals S.65299 X 1
<b>S.66967</b>	Overhaul Kit w/ .020" Oversize Pistons & Rings		Includes: Pistons S.61304 x 3, Rings S.66058 x 3
<b>S.66968</b>	Overhaul Kit w/ .030" Oversize Pistons & Rings		Includes: Pistons S.61305 x 3, Rings S.66059 x 3
<b>S.66969</b>	Overhaul Kit w/ .040" Oversize Pistons & Rings		Includes: Pistons S.61306 x 3, Rings S.66060 x 3
<b>S.66981</b>	Overhaul Kit - Standard Piston - 175 cu in - Diesel (4.2 Bore, 4.2 Stroke) Piston Pin 1.50", Compression Distance 2.762"		<b>3600, 3900, Ind. 333, 335, 340A, 340B</b> Includes: Pistons S.65822 x 3, Rings S.65825 x 3, Connecting Rod Bushings S.65237 x3, Connecting Rod Nuts S.65978 x 6, Camshaft Bushings S.65872 x 4, Upper Gasket Set S.65294 x 1, Lower Gasket Set w/ Crankshaft Seals S.65299 X 1
<b>S.66982</b>	Overhaul Kit w/ .020" Oversize Pistons & Rings		Includes: Pistons S.61304 x 3, Rings S.66058 x 3
<b>S.66983</b>	Overhaul Kit w/ .030" Oversize Pistons & Rings		Includes: Pistons S.61305 x 3, Rings S.66059 x 3
<b>S.66985</b>	Overhaul Kit w/ .040" Oversize Pistons & Rings		Includes: Pistons S.61306 x 3, Rings S.66060 x 3



# F3

Sparex Replacement Spare Parts  
for Ford/New Holland (65->)

## Engine Overhaul Kits (3 Cylinder, Diesel)

NOTE: Compression distance is measured from center of piston pin hole to top of piston.

SPAREX No.	DESCRIPTION	EQUIVALENT	TRACTOR MODEL
<b>S.66986</b>	Overhaul Kit - Standard Piston - 192 cu in - Diesel (4.4 Bore, 4.2 Stroke) Piston Pin 1.50", Compression Distance 2.762"		<b>3610, 3910</b> Includes: Pistons S.66185 x 3, Rings S.65826 x 3, Connecting Rod Nuts S.65978 x 6, Camshaft Bushings S.65872 x 4, Upper Gasket Set S.65295 x 1, Lower Gasket Set w/ Crankshaft Seals S.65299 X 1
<b>S.66987</b>	Overhaul Kit w/ .020" Oversize Pistons & Rings		Includes: Pistons S.66186 x 3, Rings S.66064 x 3
<b>S.66988</b>	Overhaul Kit w/ .030" Oversize Pistons & Rings		Includes: Pistons S.66187 x 3, Rings S.66065 x 3
<b>S.66989</b>	Overhaul Kit w/ .040" Oversize Pistons & Rings		Includes: Pistons S.66188 x 3, Rings S.66060 x 3
<b>S.66970</b>	Overhaul Kit - Standard Piston - 201 cu in - Diesel (4.4 Bore, 4.4 Stroke) Piston Pin 1.50", Compression Distance 2.687"		<b>(4000 65-5/69), Ind. (4110-LCG, 4400, 4500 65-5/69)</b> Includes: Pistons S.65821 x 3, Rings S.65826 x 3, Connecting Rod Bushings S.65237 x3, Connecting Rod Nuts S.65978 x 6, Camshaft Bushings S.65872 x 4, Upper Gasket Set S.65293 x 1, Lower Gasket Set w/ Crankshaft Seals S.65299 X 1
<b>S.66971</b>	Overhaul Kit w/ .020" Oversize Pistons & Rings		Includes: Pistons S.61313 x 3, Rings S.66064 x 3
<b>S.66972</b>	Overhaul Kit w/ .030" Oversize Pistons & Rings		Includes: Pistons S.61326 x 3, Rings S.66065 x 3
<b>S.66973</b>	Overhaul Kit w/ .040" Oversize Pistons & Rings		Includes: Pistons S.61327 x 3, Rings S.66066 x 3
<b>S.66974</b>	Overhaul Kit - Standard Piston - 201 cu in - Diesel (4.4 Bore, 4.4 Stroke) Piston Pin 1.50", Compression Distance 2.687"		<b>(4000 6/69-&gt;), 4600, 4610, 4630, Ind. 250C, 345C, 345D, 445C, 445D, (4110-LCG, 4400, 4500 6/69-&gt;), 515, 530A, 531, 532, 535, 540, 540A, 545, 545A, 550, 555, 555A, 555B</b> Includes: Pistons S.65821 x 3, Rings S.65826 x 3, Connecting Rod Bushings S.65237 x3, Connecting Rod Nuts S.65978 x 6, Camshaft Bushings S.65872 x 4, Upper Gasket Set S.65295 x 1, Lower Gasket Set w/ Crankshaft Seals S.65299 X 1
<b>S.66975</b>	Overhaul Kit w/ .020" Oversize Pistons & Rings		Includes: Pistons S.61313 x 3, Rings S.66064 x 3
<b>S.66976</b>	Overhaul Kit w/ .030" Oversize Pistons & Rings		Includes: Pistons S.61326 x 3, Rings S.66065 x 3
<b>S.66977</b>	Overhaul Kit w/ .040" Oversize Pistons & Rings		Includes: Pistons S.61327 x 3, Rings S.66066 x 3

These parts are Sparex parts and are not manufactured by the Original Equipment Manufacturer. Original Manufacturers' names, part numbers and descriptions are quoted for reference purposes only and are not intended to indicate or suggest that our replacement parts are made by the OEM.

### WARNING

Do not install if compression height and bowl do not match up to the piston removed. We recommend that you use the same type piston throughout the engine.

### Sparex Replacement Spare Parts for Ford/New Holland (65->)

(\*Piston w/ Rings)



Model	Piston Standard	Piston +0.020"	Piston +0.030"	Piston +0.040"	Ring Set Standard (Premium)	Ring Set Standard	Ring Set +0.020"	Ring Set +0.030"	Ring Set +0.040"
230A Gas (4.2)	S.66651 D8NN6108AA	S.66652 D8NN6108CA		S.66653 D8NN6108EA		S.66660 CFPN6149AY	S.66661 CFPN6149AZ		S.66662 CFPN6149BB
231 Diesel (4.2)	S.61307 83910837 D6NN6108F	S.61308 83910839 D6NN6108H	S.61309 83910840 D6NN6108J		S.65996 83917464 DJP6149S	S.65825 83917464 DJP6149S	S.66058 83917465 DJP6149T	S.66059 83917466 DJP6149U	S.66060 83917467 DJP6149V
231 Gas (4.2)	S.66651 D8NN6108AA	S.66652 D8NN6108CA		S.66653 D8NN6108EA		S.66660 CFPN6149AY	S.66661 CFPN6149AZ		S.66662 CFPN6149BB
233 Diesel (4.2)	S.61307 83910837 D6NN6108F	S.61308 83910839 D6NN6108H	S.61309 83910840 D6NN6108J		S.65996 83917464 DJP6149S	S.65825 83917464 DJP6149S	S.66058 83917465 DJP6149T	S.66059 83917466 DJP6149U	S.66060 83917467 DJP6149V
3010S	S.62022* 1930241				S.62028 1930169				
333 Diesel (4.2)	S.65822 83910850 D6NN6108L	S.61304 83910852 D6NN6108N	S.61305 83910853 D6NN6108P	S.61306 83910854 D6NN6108R	S.65996 83917464 DJP6149S	S.65825 83917464 DJP6149S	S.66058 83917465 DJP6149T	S.66059 83917466 DJP6149U	S.66060 83917467 DJP6149V
334 Diesel (4.4)	S.66185 83928621 E1NN6108LA	S.66186 83928623 E1NN6108NA	S.66187 83928624 E1NN6108PA	S.66188 83928625 E1NN6108SA	S.65997 83917468 DJP6149W	S.65826 83917468 DJP6149W	S.66064 83917469 DJP6149X	S.66065 83917470 DJP6149Y	S.66066 83917471 DJP6149Z
335 Diesel (4.2)	S.65822 83910850 D6NN6108L	S.61304 83910852 D6NN6108N	S.61305 83910853 D6NN6108P	S.61306 83910854 D6NN6108R	S.65996 83917464 DJP6149S	S.65825 83917464 DJP6149S	S.66058 83917465 DJP6149T	S.66059 83917466 DJP6149U	S.66060 83917467 DJP6149V
445C (4.4) 445D (12/88->)	S.66601 83960625 E7NN6108FA	S.67005 E7NN6108HA	S.67006 E7NN6108JA	S.67007 E7NN6108KA	S.65997 83917468 DJP6149W	S.65826 83917468 DJP6149W	S.66064 83917469 DJP6149X	S.66065 83917470 DJP6149Y	S.66066 83917471 DJP6149Z
550 Diesel (4.4)	S.65821 83928178 E0NN6108AA	S.61313 83928180 E0NN6108CA	S.61326 83928181 E0NN6108DA	S.61327 83928182 E0NN6108EA	S.65997 83917468 DJP6149W	S.65826 83917468 DJP6149W	S.66064 83917469 DJP6149X	S.66065 83917470 DJP6149Y	S.66066 83917471 DJP6149Z
555 Diesel (4.4)	S.65821 83928178 E0NN6108AA	S.61313 83928180 E0NN6108CA	S.61326 83928181 E0NN6108DA	S.61327 83928182 E0NN6108EA	S.65997 83917468 DJP6149W	S.65826 83917468 DJP6149W	S.66064 83917469 DJP6149X	S.66065 83917470 DJP6149Y	S.66066 83917471 DJP6149Z
555A Diesel (4.4) 555B Diesel (4.4)	S.65821 83928178 E0NN6108AA	S.61313 83928180 E0NN6108CA	S.61326 83928181 E0NN6108DA	S.61327 83928182 E0NN6108EA	S.65997 83917468 DJP6149W	S.65826 83917468 DJP6149W	S.66064 83917469 DJP6149X	S.66065 83917470 DJP6149Y	S.66066 83917471 DJP6149Z
2000 Diesel (4.2)	S.61307 83910837 D6NN6108F	S.61308 83910839 D6NN6108H	S.61309 83910840 D6NN6108J		S.65996 83917464 DJP6149S	S.65825 83917464 DJP6149S	S.66058 83917465 DJP6149T	S.66059 83917466 DJP6149U	S.66060 83917467 DJP6149V
2000 Gas (4.2)	S.66651 D8NN6108AA	S.66652 D8NN6108CA		S.66653 D8NN6108EA		S.66660 CFPN6149AY	S.66661 CFPN6149AZ		S.66662 CFPN6149BB
2310 Diesel (4.2)	S.61307 83910837 D6NN6108F	S.61308 83910839 D6NN6108H	S.61309 83910840 D6NN6108J		S.65996 83917464 DJP6149S	S.65825 83917464 DJP6149S	S.66058 83917465 DJP6149T	S.66059 83917466 DJP6149U	S.66060 83917467 DJP6149V
2600 Diesel (4.2)	S.61307 83910837 D6NN6108F	S.61308 83910839 D6NN6108H	S.61309 83910840 D6NN6108J		S.65996 83917464 DJP6149S	S.65825 83917464 DJP6149S	S.66058 83917465 DJP6149T	S.66059 83917466 DJP6149U	S.66060 83917467 DJP6149V
2600 Gas (4.2)	S.66651 D8NN6108AA	S.66652 D8NN6108CA		S.66653 D8NN6108EA		S.66660 CFPN6149AY	S.66661 CFPN6149AZ		S.66662 CFPN6149BB
2610 Diesel (4.2)					S.65996 83917464 DJP6149S	S.65825 83917464 DJP6149S	S.66058 83917465 DJP6149T	S.66059 83917466 DJP6149U	S.66060 83917467 DJP6149V
2610 Gas (4.2)	S.66651 D8NN6108AA	S.66652 D8NN6108CA		S.66653 D8NN6108EA		S.66660 CFPN6149AY	S.66661 CFPN6149AZ		S.66662 CFPN6149BB
2810 Diesel (4.2)	S.61307 83910837 D6NN6108F	S.61308 83910839 D6NN6108H	S.61309 83910840 D6NN6108J		S.65996 83917464 DJP6149S	S.65825 83917464 DJP6149S	S.66058 83917465 DJP6149T	S.66059 83917466 DJP6149U	S.66060 83917467 DJP6149V
2910 Diesel (4.2)					S.65996 83917464 DJP6149S	S.65825 83917464 DJP6149S	S.66058 83917465 DJP6149T	S.66059 83917466 DJP6149U	S.66060 83917467 DJP6149V
2910 Gas (4.2)	S.66651 D8NN6108AA	S.66652 D8NN6108CA		S.66653 D8NN6108EA		S.66660 CFPN6149AY	S.66661 CFPN6149AZ		S.66662 CFPN6149BB

# Pistons, Rings & Liners (3 Cylinder) Con't.



NOTE: All liners are Unfinished

Sparex Replacement Spare Parts  
for Ford/New Holland (65->)



Model	Liner Standard	liner +0.030"	Liner +0.100"	Liner +0.100"			
230A Gas (4.2)	S.65828 Parallel C5NN6055A						
231 Diesel (4.2)	S.65828 Parallel 81815327 C5NN6055A						
231 Gas (4.2)	S.65828 Parallel C5NN6055A						
233 Diesel (4.2)	S.65828 Parallel 81815327 C5NN6055A						
3010S	S.62034 4770654						
333 Diesel (4.2)	S.65828 Parallel 81815327 C5NN6055A						
334 Diesel (4.4)	S.65827 Flanged 83912946 D7NN6055A	S.65944 Flanged OD=+0.030"	S.65945 Flanged OD=+0.100"	S.65883 Parallel OD=+0.100"			
335 Diesel (4.2)	S.65828 Parallel 81815327 C5NN6055A						
455C (4.4) 455D (12/88->)	S.65827 Flanged 83912946 D7NN6055A	S.65944 Flanged OD=+0.030"	S.65945 Flanged OD=+0.100"	S.65883 Parallel OD=+0.100"			
550 Diesel (4.4)	S.65827 Flanged 83912946 D7NN6055A	S.65944 Flanged OD=+0.030"	S.65945 Flanged Od=+0.100"	S.65883 Parallel OD=+0.100"			
555 Diesel (4.4)	S.65827 Flanged 83912946 D7NN6055A	S.65944 Flanged OD=+0.030"	S.65945 Flanged Od=+0.100"	S.65883 Parallel OD=+0.100"			
555A Diesel (4.4) 555B Diesel (4.4)	S.65827 Flanged 83912946 D7NN6055A	S.65944 Flanged OD=+0.030"	S.65945 Flanged Od=+0.100"	S.65883 Parallel OD=+0.100"			
2000 Diesel (4.2)	S.65828 Parallel 81815327 C5NN6055A						
2000 Gas (4.2)	S.65828 Parallel C5NN6055A						
2310 Diesel (4.2)	S.65828 Parallel 81815327 C5NN6055A						
2600 Diesel (4.2)	S.65828 Parallel 81815327 C5NN6055A						
2600 Gas (4.2)	S.65828 Parallel 81815327 C5NN6055A						
2610 Diesel (4.2)	S.65828 Parallel 81815327 C5NN6055A						
2610 Gas (4.2)	S.65828 Parallel C5NN6055A						
2810 Diesel (4.2)	S.65828 Parallel 81815327 C5NN6055A						
2910 Diesel (4.2)	S.65828 Parallel 81815327 C5NN6055A						
2910 Gas (4.2)	S.65828 Parallel C5NN6055A						

These parts are Sparex parts and are not manufactured by the Original Equipment Manufacturer. Original Manufacturers' names, part numbers and descriptions are quoted for reference purposes only and are not intended to indicate or suggest that our replacement parts are made by the OEM.

### WARNING

Do not install if compression height and bowl do not match up to the piston removed. We recommend that you use the same type piston throughout the engine.

### Sparex Replacement Spare Parts for Ford/New Holland (65->)

(\*Piston w/ Rings)



Model	Piston Standard	Piston +0.020"	Piston +0.030"	Piston +0.040"	Ring Set Standard (Premium)	Ring Set Standard	Ring Set +0.020"	Ring Set +0.030"	Ring Set +0.040"
3000 Diesel (4.2)	S.65822 83910850 D6NN6108L	S.61304 83910852 D6NN6108N	S.61305 83910853 D6NN6108P	S.61306 83910854 D6NN6108R	S.65996 83917464 DJPN6149S	S.65825 83917464 DJPN6149S	S.66058 83917465 DJPN6149T	S.66059 83917466 DJPN6149U	S.66060 83917467 DJPN6149V
3000 Gas (4.2)	S.66651 D8NN6108AA	S.66652 D8NN6108CA		S.66653 D8NN6108EA		S.66660 CFPN6149AY	S.66661 CFPN6149AZ		S.66662 CFPN6149BB
3230 Diesel (4.4)	S.66185 83928621 E1NN6108LA	S.66186 83928623 E1NN6108NA	S.66187 83928624 E1NN6108PA	S.66188 83928625 E1NN6108SA	S.65997 83917468 DJPN6149W	S.65826 83917468 DJPN6149W	S.66064 83917469 DJPN6149X	S.66065 83917470 DJPN6149Y	S.66066 83917471 DJPN6149Z
3430 Diesel (4.4)	S.66185 83928621 E1NN6108LA	S.66186 83928623 E1NN6108NA	S.66187 83928624 E1NN6108PA	S.66188 83928625 E1NN6108SA	S.65997 83917468 DJPN6149W	S.65826 83917468 DJPN6149W	S.66064 83917469 DJPN6149X	S.66065 83917470 DJPN6149Y	S.66066 83917471 DJPN6149Z
3435 Diesel (4.2)	S.62022* 1930241				S.62028 1930169				
3600 Diesel (4.2)	S.65822 83910850 D6NN6108L	S.61304 83910852 D6NN6108N	S.61305 83910853 D6NN6108P	S.61306 83910854 D6NN6108R	S.65996 83917464 DJPN6149S	S.65825 83917464 DJPN6149S	S.66058 83917465 DJPN6149T	S.66059 83917466 DJPN6149U	S.66060 83917467 DJPN6149V
3610 Diesel (4.4)	S.66185 83928621 E1NN6108LA	S.66186 83928623 E1NN6108NA	S.66187 83928624 E1NN6108PA	S.66188 83928625 E1NN6108SA	S.65997 83917468 DJPN6149W	S.65826 83917468 DJPN6149W	S.66064 83917469 DJPN6149X	S.66065 83917470 DJPN6149Y	S.66066 83917471 DJPN6149Z
3830	S.62022* 1930241				S.62028 1930169				
3900 Diesel (4.2)	S.65822 83910850 D6NN6108L	S.61304 83910852 D6NN6108N	S.61305 83910853 D6NN6108P	S.61306 83910854 D6NN6108R	S.65996 83917464 DJPN6149S	S.65825 83917464 DJPN6149S	S.66058 83917465 DJPN6149T	S.66059 83917466 DJPN6149U	S.66060 83917467 DJPN6149V
3910 Diesel (4.4)	S.66185 83928621 E1NN6108LA	S.66186 83928623 E1NN6108NA	S.66187 83928624 E1NN6108PA	S.66188 83928625 E1NN6108SA	S.65997 83917468 DJPN6149W	S.65826 83917468 DJPN6149W	S.66064 83917469 DJPN6149X	S.66065 83917470 DJPN6149Y	S.66066 83917471 DJPN6149Z
3930 Diesel (4.4)	S.65821 83928178 E0NN6108AA	S.61313 83928180 E0NN6108CA	S.61326 83928181 E0NN6108DA	S.61327 83928182 E0NN6108EA	S.65997 83917468 DJPN6149W	S.65826 83917468 DJPN6149W	S.66064 83917469 DJPN6149X	S.66065 83917470 DJPN6149Y	S.66066 83917471 DJPN6149Z
3935	S.62022* 1930241				S.62028 1930169				
4000 Diesel (4.4)	S.65821 83928178 E0NN6108AA	S.61313 83928180 E0NN6108CA	S.61326 83928181 E0NN6108DA	S.61327 83928182 E0NN6108EA	S.65997 83917468 DJPN6149W	S.65826 83917468 DJPN6149W	S.66064 83917469 DJPN6149X	S.66065 83917470 DJPN6149Y	S.66066 83917471 DJPN6149Z
4100 Diesel (4.2)					S.65996 83917464 DJPN6149S	S.65825 83917464 DJPN6149S	S.66058 83917465 DJPN6149T	S.66059 83917466 DJPN6149U	S.66060 83917467 DJPN6149V
4110 Diesel (4.4)					S.65997 83917468 DJPN6149W	S.65826 83917468 DJPN6149W	S.66064 83917469 DJPN6149X	S.66065 83917470 DJPN6149Y	S.66066 83917471 DJPN6149Z
4130 Diesel (4.4)					S.65997 83917468 DJPN6149W	S.65826 83917468 DJPN6149W	S.66064 83917469 DJPN6149X	S.66065 83917470 DJPN6149Y	S.66066 83917471 DJPN6149Z
4135	S.62022* 1930241				S.62028 1930169				
4600 Diesel (4.4)	S.65821 83928178 E0NN6108AA	S.61313 83928180 E0NN6108CA	S.61326 83928181 E0NN6108DA	S.61327 83928182 E0NN6108EA	S.65997 83917468 DJPN6149W	S.65826 83917468 DJPN6149W	S.66064 83917469 DJPN6149X	S.66065 83917470 DJPN6149Y	S.66066 83917471 DJPN6149Z
4610 Diesel (4.4)	S.65821 83928178 E0NN6108AA	S.61313 83928180 E0NN6108CA	S.61326 83928181 E0NN6108DA	S.61327 83928182 E0NN6108EA	S.65997 83917468 DJPN6149W	S.65826 83917468 DJPN6149W	S.66064 83917469 DJPN6149X	S.66065 83917470 DJPN6149Y	S.66066 83917471 DJPN6149Z
4630 Diesel (4.4)	S.65821 83928178 E0NN6108AA	S.61313 83928180 E0NN6108CA	S.61326 83928181 E0NN6108DA	S.61327 83928182 E0NN6108EA	S.65997 83917468 DJPN6149W	S.65826 83917468 DJPN6149W	S.66064 83917469 DJPN6149X	S.66065 83917470 DJPN6149Y	S.66066 83917471 DJPN6149Z
4635	S.62023 1930186				S.62029 1930191				

These parts are Sparex parts and are not manufactured by the Original Equipment Manufacturer. Original Manufacturers' names, part numbers and descriptions are quoted for reference purposes only and are not intended to indicate or suggest that our replacement parts are made by the OEM.

# Pistons, Rings & Liners (3 Cylinder) Con't



NOTE: All liners are Unfinished

Sparex Replacement Spare Parts  
for Ford/New Holland (65->)



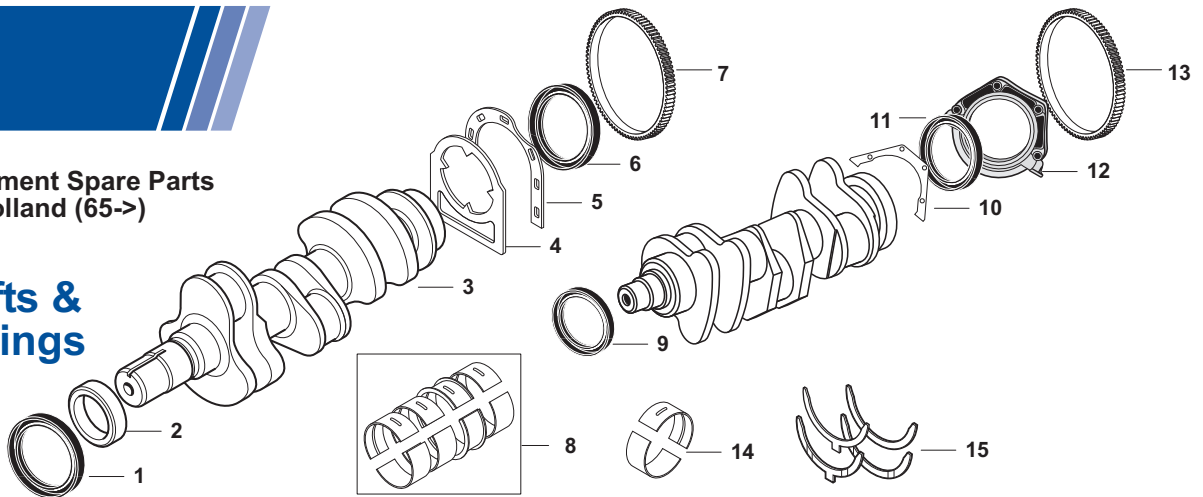
Model	Liner Standard	liner +0.030"	Liner +0.100"	Liner +0.100"			
3000 Diesel (4.2)	S.65828 Parallel 81815327 C5NN6055A						
3000 Gas (4.2)	S.65828 Parallel C5NN6055A						
3230 Diesel (4.4)	S.65827 Flanged 83912946 D7NN6055A	S.65944 Flanged OD=+0.030"	S.65945 Flanged OD=+0.100"	S.65883 Parallel OD=+0.100"			
3430 Diesel (4.4)	S.65827 Flanged 83912946 D7NN6055A	S.65944 Flanged OD=+0.030"	S.65945 Flanged OD=+0.100"	S.65883 Parallel OD=+0.100"			
3435 Diesel	S.62034 4770654						
3600 Gas (4.2)	S.65828 Parallel 81815327 C5NN6055A						
3610 Gas (4.4)	S.65827 Flanged 83912946 D7NN6055A	S.65944 Flanged OD=+0.030"	S.65945 Flanged OD=+0.100"	S.65883 Parallel OD=+0.100"			
3830	S.62034 4770654						
3900 Gas (4.2)	S.65828 Parallel 81815327 C5NN6055A						
3910 Gas (4.4)	S.65827 Flanged 83912946 D7NN6055A	S.65944 Flanged OD=+0.030"	S.65945 Flanged OD=+0.100"	S.65883 Parallel OD=+0.100"			
3930 Gas (4.4)	S.65827 Flanged 83912946 D7NN6055A	S.65944 Flanged OD=+0.030"	S.65945 Flanged OD=+0.100"	S.65883 Parallel OD=+0.100"			
3935	S.62034 1930241						
4000 Gas (4.4)	S.65827 Flanged 83912946 D7NN6055A	S.65944 Flanged OD=+0.030"	S.65945 Flanged OD=+0.100"	S.65883 Parallel OD=+0.100"			
4100 Gas (4.2)	S.65828 Parallel 81815327 C5NN6055A						
4110 Gas (4.4)	S.65827 Flanged 83912946 D7NN6055A	S.65944 Flanged OD=+0.030"	S.65945 Flanged OD=+0.100"	S.65883 Parallel OD=+0.100"			
4130 Gas (4.4)	S.65827 Flanged 83912946 D7NN6055A	S.65944 Flanged OD=+0.030"	S.65945 Flanged OD=+0.100"	S.65883 Parallel OD=+0.100"			
4135							
4600 Gas (4.4)	S.65827 Flanged 83912946 D7NN6055A	S.65944 Flanged OD=+0.030"	S.65945 Flanged OD=+0.100"	S.65883 Parallel OD=+0.100"			
4610 Gas (4.4)	S.65827 Flanged 83912946 D7NN6055A	S.65944 Flanged OD=+0.030"	S.65945 Flanged OD=+0.100"	S.65883 Parallel OD=+0.100"			
4630 Gas (4.4)	S.65827 Flanged 83912946 D7NN6055A	S.65944 Flanged OD=+0.030"	S.65945 Flanged OD=+0.100"	S.65883 Parallel OD=+0.100"			
4635							

These parts are Sparex parts and are not manufactured by the Original Equipment Manufacturer. Original Manufacturers' names, part numbers and descriptions are quoted for reference purposes only and are not intended to indicate or suggest that our replacement parts are made by the OEM.



## Sparex Replacement Spare Parts for Ford/New Holland (65->)

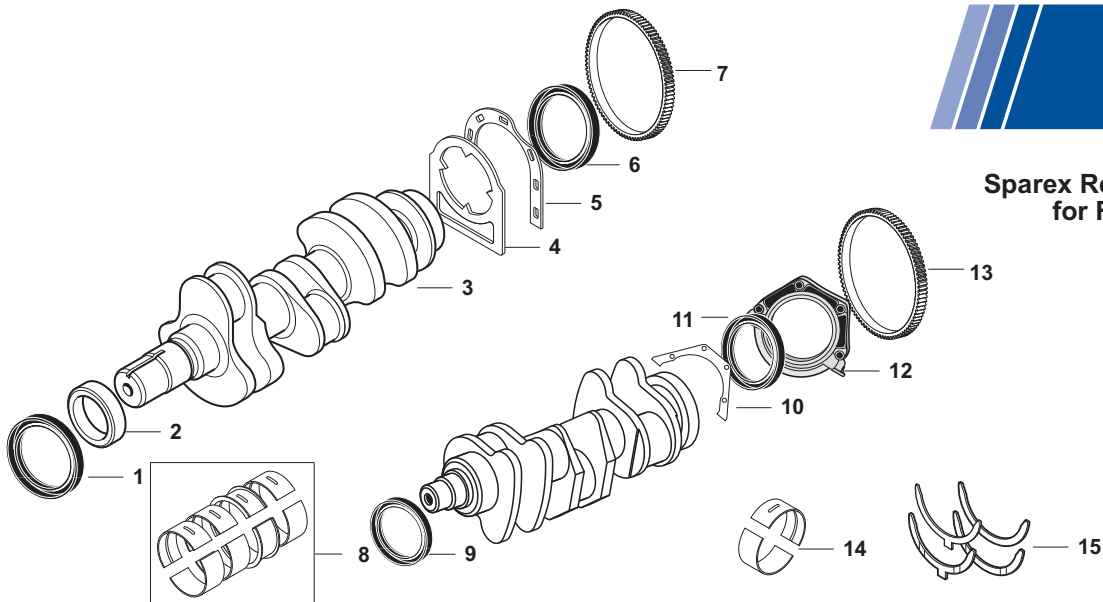
### Crankshafts & Main Bearings (3 Cylinder)



SPAREX No.	DESCRIPTION	EQUIVALENT	TRACTOR MODEL
1	<b>S.65672</b> Seal - Front Crankshaft (83 x 58 x 11.3mm)	87800696 C5NN6700A	2000, 3000, 4000, 2600, 3600, 3900, 4100, 4600, 2310, 2610, 2810, 2910, 3610, 3910, 4110, 4610, 3230, 3430, 3930, 4130, 4630, Ind. 230A, 231, 233, 234, 250C, 260C, 2110LCG, 333, 334, 335, 340, 340A, 340B, 345C, 345D, 3400, 3500, 3550, 420, 445, 445A, 445C, 445D, 450, 455, 455C, 455D, 4110LCG, 4400, 4500, 515, 530A, 531, 532, 535, 540, 540A, 540B, 545, 545A, 545C, 545D, 550, 555, 555A, 555B
2	<b>S.73592</b> Spacer - Front Crankshaft Seal	C5NE6B306A	Same as Above
3	<b>S.66041</b> Crankshaft - less Bearings (4.2 Stroke) NOTE: Some models may use different stroke crankshafts. Please measure carefully before ordering.	F0NN6303NA	(3000 Gas/Diesel), (4000 Gas 65-3/68), (3600 Gas/Diesel), (2610, 2910 Diesel), (3610, 3910 Gas/Diesel), (3230, 3430, 3930 ->9/90), Ind. (230A Diesel), (250C, 260C ->9/90), (234, 334, 335, 340A, 340B Gas/Diesel), 345C, (3400, 3500 Gas/Diesel), 445C, (4400, 4500 Gas 65-3/68)
3	<b>S.66855</b> Crankshaft (4.4 Stroke) NOTE: Some models may use different stroke crankshafts. Please measure carefully before ordering.	F0NN6300MA	(4000 Gas 4/68->), (4000 Diesel), 4100, 4600, 4110, 4610, 3930, 4130, 4630, Ind. 250C, 260C, 345D, 420, 445, 445C, 445D, (4400, 4500, Gas 4/68->), (4400, 4500 Diesel), 515, 530A, 531, 535, (540, 545 Diesel)
4	<b>S.65807</b> Gasket - Rear Crankshaft Seal	C7NN6N008B	2000, 3000, 4000, 2600, 3600, 3900, 4100, 4600, 2610, 2810, 2910, 3610, 3910, 4110, 4610, Ind. 230A, 231, 233, 234, 2110LCG, 334, 335, 340, 340A, 340B, 3400, 3500, 3550, 420, 445, 445A, 450, 4110LCG, 4400, 4500, 515, 530A, 531, 532, 535, 540, 540A, 540B, 545, 545A, 550, 555, 555A, 555B
5	<b>S.66049</b> Gasket- Rear Crankshaft Seal	E9NN6N305AB	3230, 3430, 3930, 4130, 4630, Ind. 345C, 345D, 445C, 445D, 545C, 545D
6	<b>S.65673</b> Seal - Rear Crankshaft	83955247 E2NN6701BA	2000, 3000, 4000, 2600, 3600, 3900, 4100, 4600, 2610, 2810, 2910, 3610, 3910, 4110, 4610, 3230, 3430, 3930, 4130, 4630, Ind. 230A, 231, 233, 234, 2110LCG, 334, 335, 340, 340A, 340B, 3400, 345C, 345D, 3500, 3550, 420, 445, 445A, 445C, 445D, 450, 4110LCG, 4400, 4500, 515, 530A, 531, 532, 535, 540, 540A, 540B, 545, 545A, 545C, 545D, 550, 555, 555A, 555B
7	<b>S.65743</b> Ring Gear	83949153 E2NN6384AA C5NE6384A	Same as Above (Diesel Only)
8	<b>S.65218</b> Main Bearing Set - Standard	87790355 CFPN6333A 87790488 CFPN6337A	(All 3 Cylinder Engines ->9/92 except 3010S, 3830 Orchard)
8	<b>S.65219</b> Main Bearing Set - .010"	87790358 CFPN6333D 87790491 CFPN6337D	(All 3 Cylinder Engines ->9/92 except 3010S, 3830 Orchard)
8	<b>S.65220</b> Main Bearing Set - .020"	87790359 CFPN6333E 87790492 CFPN6337E	(All 3 Cylinder Engines ->9/92 except 3010S, 3830 Orchard)

## Sparex Replacement Spare Parts for Ford/New Holland (65->)

### Crankshafts & Main Bearings (3 Cylinder)

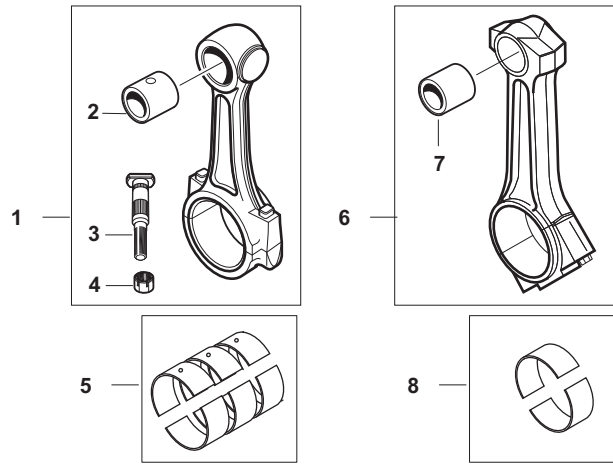


SPAREX No.	DESCRIPTION	EQUIVALENT	TRACTOR MODEL
8	<b>S.65221</b> Main Bearing Set - .030"	87790360 CFPN6333F 87790493 CFPN6337F	<b>(All 3 Cylinder Engines -&gt;9/92 except 3010S, 3830 Orchard)</b>
8	<b>S.65222</b> Main Bearing Set - .040"	87790361 CFPN6333G 87790494 CFPN6337G	<b>(All 3 Cylinder Engines -&gt;9/92 except 3010S, 3830 Orchard)</b>
9	<b>S.62068</b> Seal - Front Crankshaft	98461684 40101331	<b>3010S, 3830 Orchard</b>
10	<b>S.59075</b> Gasket - Rear Crankshaft Seal	4849994 4657434	<b>3010S, 3830 Orchard</b>
11	<b>S.62073</b> Seal - Rear Crankshaft (135 x 114 x 12mm)	98461686 40101341	<b>3010S, 3830 Orchard</b>
12	<b>S.59077</b> Seal Retainer	4781935 98489586	<b>3010S, 3830 Orchard</b>
13	<b>S.62055</b> Ring Gear	4602143	<b>3010S, 3830 Orchard</b>
14	<b>S.62049</b> Main Bearing - Standard (1 pair, 4 Required)	1930176	<b>3010S, 3830 Orchard</b>
14	<b>S.62345</b> Main Bearing - .010" (1 pair, 4 Required)	1930177	<b>3010S, 3830 Orchard</b>
14	<b>S.62454</b> Main Bearing - .020" (1 pair, 4 Required)	1930178	<b>3010S, 3830 Orchard</b>
15	<b>S.62053</b> Thrust Washers - Standard (2 pair)	1901385	<b>3010S, 3830 Orchard</b>
15	<b>S.58945</b> Thrust Washers - .010" (2 pair)	1901388	<b>3010S, 3830 Orchard</b>

These parts are Sparex parts and are not manufactured by the Original Equipment Manufacturer. Original Manufacturers' names, part numbers and descriptions are quoted for reference purposes only and are not intended to indicate or suggest that our replacement parts are made by the OEM.

## Sparex Replacement Spare Parts for Ford/New Holland (65->)

### Connecting Rods & Bearings (3 Cylinder)

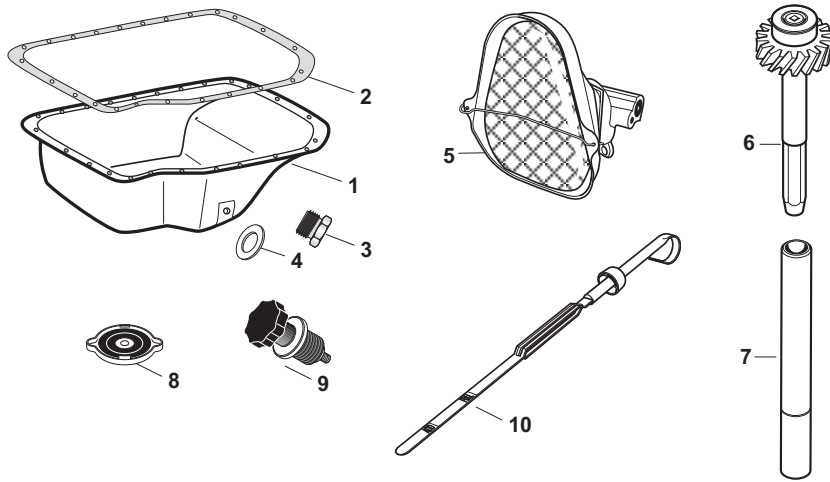


SPAREX No.	DESCRIPTION	EQUIVALENT	TRACTOR MODEL
1	<b>S.66043</b> Connecting Rod Assembly (36mm) Journal (*NOTE: Replace the complete set when replacing C5NE6200A Gas 65-3/68)	81875622 F2NN6200BA E9NN6200AB E9NN6200CA E3HN6200AC E4NN6200AB C7NN6200A	2000*, 3000*, 4000*, 2600, 3600, 4100, 4600, 2310, 2610, 2810, 2910, 3610, 4110, 4610, Ind. 230A, 231, 233, 234, 2110LCG*, 333, 334, 335, 3400*, 3500*, 420, 445, 445A, 445C, 450, 4110LCG*, 4400*, 4500*, 530A, 531, 532, 535, 540, 540A, 540B, 545, 545A, 550, 555, 555A, 555B
2	<b>S.65237</b> Bushing - Connecting Rod (36mm) Journal	C5NE6207A	2000, 3000, 4000, 2600, 3600, 4100, 4600, 2310, 2610, 2810, 2910, 3610, 4110, 4610, Ind. 230A, 231, 233, 234, 2110LCG, 333, 334, 335, 3400, 3500, 420, 445, 445A, 445C, 450, 4110LCG, 4400, 4500, 530A, 531, 532, 535, 540, 540A, 540B, 545, 545A, 550, 555, 555A, 555B
3	<b>S.65979</b> Bolt - Connecting Rod	E9NN6214BA C5NE6214	All 3 Cylinder w/ Bolt & Nut type Connecting Rods
4	<b>S.65978</b> Nut - Connecting Rod	390655S2 385279S2	All 3 Cylinder w/ Bolt & Nut type Connecting Rods
5	<b>S.65194</b> Bearing - Connecting Rod Set - Std. (36mm) (NOTE: Not to be used with 32mm Tapered Rods)	DFPN6211A/B	2000, 3000, 4000, 2600, 3600, 3900, 4100, 4600, 2310, 2610, 2810, 2910, 3610, 3910, 4110, 4610, 3230, 3430, 3930, 4130, 4630, Ind. 230A, 231, 233, 2110LCG, 333, 334, 335, 3400, 3500, 3550, 420, 445, 445A, 445C, 450, 4110LCG, 4400, 4500, 530A, 531, 532, 535, 540, 540A, 540B, 545, 545A, 550, 555, 555A, 555B (->9/90)
5	<b>S.65195</b> Bearing - Connecting Rod Set - .010" (36mm wide)	DFPN6211D	Same as Above
5	<b>S.65196</b> Bearing - Connecting Rod Set - .020" (36mm wide)	DFPN6211E	Same as Above
5	<b>S.65197</b> Bearing - Connecting Rod Set - .030" (36mm wide)	DFPN6211F	Same as Above
5	<b>S.65198</b> Bearing - Connecting Rod Set - .040" (36mm wide)	DFPN6211G	Same as Above
5	<b>S.66067</b> Bearing - Connecting Rod Set - Std. (32mm wide) (May be used in prior models if 32mm wide, tapered rods are used.)	87790322 FAPN6211G	(3230, 3430, 3930, 4130, 4630 9/90->), Ind. 250C, 260C, 345C, 345D, 445C, 445D, 545C, 545D
5	<b>S.66068</b> Bearing - Connecting Rod Set - .010" (32mm wide)	87790306 FAPN6211J	Same as Above
5	<b>S.66069</b> Bearing - Connecting Rod Set - .020" (32mm wide)	87790307 FAPN6211K	Same as Above
5	<b>S.66070</b> Bearing - Connecting Rod Set - .030" (32mm wide)	87790308 FAPN6211E	Same as Above
5	<b>S.66071</b> Bearing - Connecting Rod Set - .040" (32mm wide)	87790309 FAPN6211F	Same as Above
6	<b>S.58941</b> Connecting Rod Assembly (38mm Pin dia)	98461751 4780624	3010S, 3830 Orchard
7	<b>S.62038</b> Bushing - Connecting Rod	4766404	3010S, 3830 Orchard
8	<b>S.62043</b> Bearing - Connecting Rod - Std. (1 pair)	1930181	3010S, 3830 Orchard
8	<b>S.62044</b> Bearing - Connecting Rod - .010" (1 pair)	1930182	3010S, 3830 Orchard
8	<b>S.62451</b> Bearing - Connecting Rod - .020" (1 pair)	1930183	3010S, 3830 Orchard

These parts are Sparex parts and are not manufactured by the Original Equipment Manufacturer. Original Manufacturers' names, part numbers and descriptions are quoted for reference purposes only and are not intended to indicate or suggest that our replacement parts are made by the OEM.

## Sparex Replacement Spare Parts for Ford/New Holland (65->)

### Oil Pan, Pumps and Related Components (3 Cylinder)



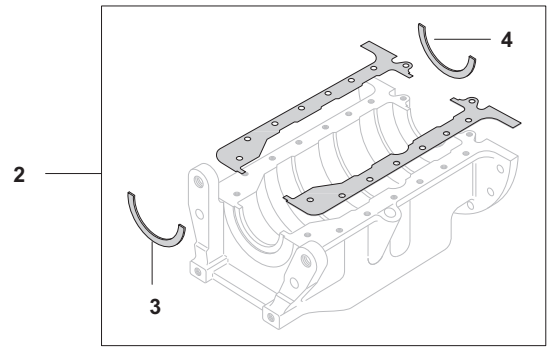
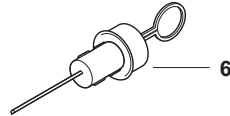
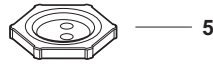
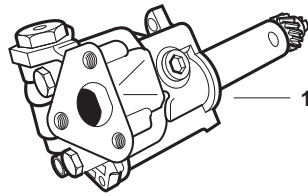
SPAREX No.	DESCRIPTION	EQUIVALENT	TRACTOR MODEL
1	<b>S.60754</b> Oil Pan - Cast Iron (Uses S.65275 Plug and S.05718 Washer - Not Included)	C9NN6675A	2000, 3000, 4000, 2600, 3600, 3900, 4100, 4600, 2310, 2610, 2810, 2910, 3610, 3910, 4110, 4610, (3230, 3430, 3930, 4130, 4630 ->3/92), Ind. 230, 231, 233, 234, 2110LCG, 333, 334, 335, 3400, 3500, 3550, 420, 4110LCG, 445, 445A, 4400, 4500, 515, 531, 532, 535, 540, 540A, 540B, 545, 545A, 550, 555, 555A, 555B
2	<b>S.66455</b> Gasket - Oil Pan	F0NN6710AA D0NN6710B	Same as Above (->3/92)
3	<b>S.65276</b> Drain Plug (7/8"-16)	C5NE6730B	(2000, 3000, 4000 65-12/69)
3	<b>S.65275</b> Drain Plug (3/4"-16)	C9NN6730B	(2000, 3000, 4000 1/70->), 2600, 3600, 3900, 4100, 4610, 2810, 2910, 3610, 3910, 4110, 4610, 3230, 3430, 3930, 4130, 4630, Ind. 230A, 231, 233, 234, (2110LCG 1/70->), 333, 334, 335, (3400, 3500, 3550 1/70->), 420, 450, 445, 445A, (4110LCG, 4400, 4500 1/70->), 515, 531, 532, 535, 540, 540A, 540B, 545, 545A, 550, 555, 555A, 555B
4	<b>S.05719</b> Fiber Washer - Drain Plug (7/8")	EBU6734A	(2000, 3000, 4000 65-12/69)
4	<b>S.05718</b> Fiber Washer (3/4")	C9NN6734A	(2000, 3000, 4000 1/70->), 2600, 3600, 3900, 4100, 4610, 2810, 2910, 3610, 3910, 4110, 4610, 3230, 3430, 3930, 4130, 4630, Ind. 230A, 231, 233, 234, (2110LCG 1/70->), 333, 334, 335, (3400, 3500, 3550 1/70->), 420, 450, 445, 445A, (4110LCG, 4400, 4500 1/70->), 515, 531, 532, 535, 540, 540A, 540B, 545, 545A, 550, 555, 555A, 555B
5	<b>S.05937</b> Oil Pump	E1NN6600DC	2000, 3000, 4000, 2600, 3600, 3900, 4100, 4600, 2310, 2610, 2810, 2910, 3610, 3910, 4110, 4610, 3230, 3430, 3930, 4130, 4630, Ind. 230A, 231, 233, 234, 2110LCG, 250C, 260C, 333, 334, 335, 3400, 3500, 3550, 420, 445, 445A, 445C, 445D, 450, 455, 455C, 455D, 515, 530A, 531, 532, 535, 540, 540A, 540B, 550, 555, 555A, 555B
6	<b>S.65267</b> Shaft & Gear - Oil Pump Drive	87800008 E9NN6A820AA	Same as Above
7	<b>S.65271</b> Shaft - Oil Pump Drive - Intermediate	C7NN6A605A	Same as Above
8	<b>S.65953</b> Oil Filler Cap - Valve Cover	D0NN6766A	2000, 3000, 4000, Ind. 2110LCG, 3400, 3500, 4110LCG, 4400, 4500
9	<b>S.65765</b> Oil Filler Cap - Timing Cover	83907851 D5NN6N609A	2600, 3600, 3900, 4100, 4600, 2310, 2610, 2810, 2910, 3610, 3910, 4110, 4610, 3230, 3430, 3930, 4130, 4630, Ind. 230A, 231, 233, 234, 250C, 260C, 333, 334, 335, 420, 445, 445A, 445C, 445D, 450, 455, 455C, 455D, 515, 530A, 531, 532, 535, 540, 540A, 540B, 555, 555A, 555B
10	<b>S.65943</b> Dipstick	C5NE6750D	2000, 3000, 4000, Ind. 2110LCG, 3400, 3500, 4110LCG, 4400, 4500
10	<b>S.65274</b> Dipstick	87801534 E9NN6750BA	2600, 3600, 3900, 4100, 4600, 2310, 2610, 2810, 2910, 3610, 3910, 4110, 4610, Ind. 230A, 231, 233, 234, 260C, 333, 334, 335, 420, 445, 445C, 445D, 455, 455C, 455D, 515, 530A, 531, 532, 535, 540, 540A, 545, 545C, 545D, 550, 555

These parts are Sparex parts and are not manufactured by the Original Equipment Manufacturer. Original Manufacturers' names, part numbers and descriptions are quoted for reference purposes only and are not intended to indicate or suggest that our replacement parts are made by the OEM.

# F3

Sparex Replacement Spare Parts  
for Ford/New Holland (65->)

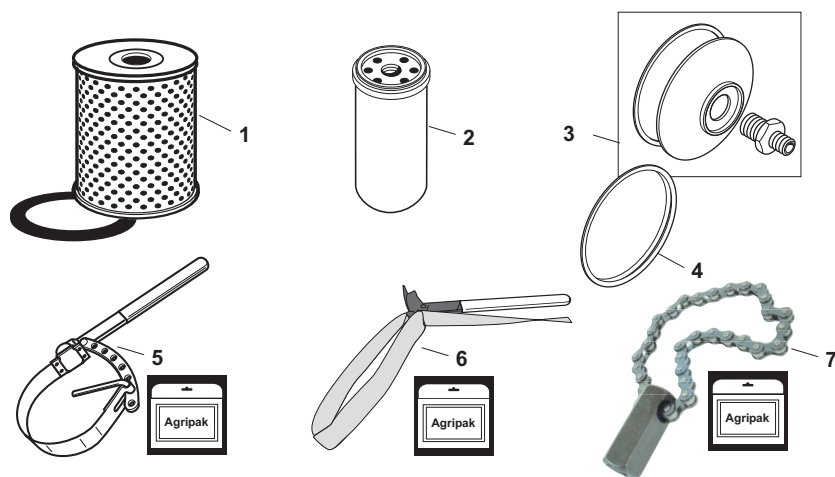
## Oil Pan, Pumps and Related Components (3 Cylinder)



	SPAREX No.	DESCRIPTION	EQUIVALENT	TRACTOR MODEL
1	S.62133	Oil Pump	4705827	3010S, 3830 Orchard
2	S.62113	Oil Pan Gaskets & Seals	1940006	3010S, 3830 Orchard
3	S.62074	Seal - Oil Pan - Front (6" Long)	4031577	3010S, 3830 Orchard
4	S.62075	Seal - Oil Pan - Rear (8 1/4" Long)	4600753	3010S, 3830 Orchard
5	S.62134	Oil Filler Cap	4232606	3010S, 3830 Orchard
6	S.59165	Dipstick	4778891	3010S, 3830 Orchard

Sparex Replacement Spare Parts  
for Ford/New Holland (65->)

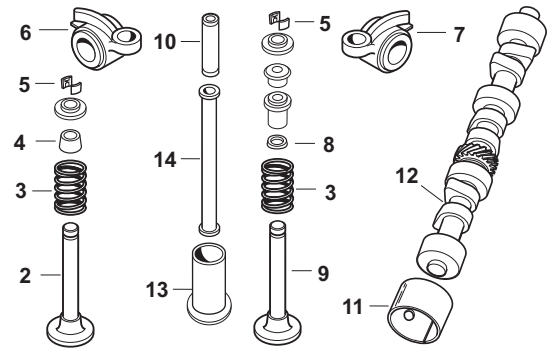
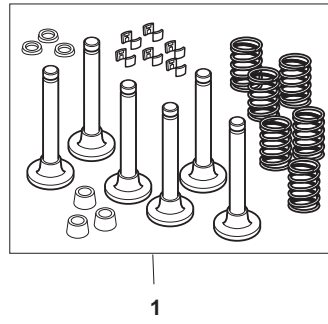
## Engine Oil Filters and Related Components (3 Cylinder)



SPAREX No.	DESCRIPTION	EQUIVALENT	TRACTOR MODEL
1	<b>S.76502</b> Engine Oil Filter - Cartridge Type (4.59" OD, .75" ID, 4.87" Height)	86546611 DGNP6731A	(2000, 3000, 4000, Ind. 2110LCG, 3400, 3500, 4110LCG, 4400, 4500 65-10/69)
2	<b>S.40538</b> Engine Oil Filter - Spin-on Type (3.77" OD, 3/4"-16 ID, 5" Height)	86546614 E7NN6714AA	2000, 3000, 4000, 2600, 3600, 3900, 4100, 4600, 2310, 2610, 2810, 2910, 3610, 3910, 4110, 4610, 3230, 3430, 3930, 4130, 4630, Ind. 230A, 231, 233, 234, 2110LCG, 333, 334, 335, 3400, 3500, 3550, 420, 445, 445A, 445C, 445D, 450, 455, 455C, 455D, 515, 530A, 531, 532, 535, 540, 540A, 540B, 550, 555, 555A, 555B
2	<b>S.62135</b> Engine Oil Filter - Spin-on Type (4.28" OD, 3/4"-16" UNF ID, 7.25" Height)	1909101	3010S, 3830 Orchard
3	<b>S.66101</b> Adaptor - Cartridge to Spin-on Filter Includes: Adaptor, Stud & Seal	309825F	(2000, 3000, 4000, Ind. 2110LCG, 3400, 3500, 4110LCG, 4400, 4500 65-10/69)
4	<b>S.66568</b> Seal - Filter Adaptor	D8NN6N818AA	(2000, 3000, 4000, Ind. 2110LCG, 3400, 3500, 4110LCG, 4400, 4500 65-10/69)
5	<b>S.05791</b> Adjustable Oil Filter Wrench - 1 pc Pack (3.5" - 4 1/2")		
5	<b>S.08937</b> Adjustable Oil Filter Wrench - 1 pc Pack (4" - 6")		
6	<b>S.14482</b> Filter Wrench - 1 pc Pack (Strap Length = 22.44")		Universal
7	<b>S.12430</b> Chain Oil Filter Wrench - 1 pc (1/2" Drive)		
7	<b>S.12431</b> Chain Oil Filter Wrench - 1 pc Pack (1/2" Drive)		

These parts are Sparex parts and are not manufactured by the Original Equipment Manufacturer. Original Manufacturers' names, part numbers and descriptions are quoted for reference purposes only and are not intended to indicate or suggest that our replacement parts are made by the OEM.

## Valves, Camshafts (3 Cylinder)



SPAREX No.	DESCRIPTION	EQUIVALENT	TRACTOR MODEL
1 S.66998	Valve Train Kit - Contains: S.65701 Valve-In (Std) x 3, S.65712 Valve-Ex (Std) x 3, S.65711 Spring x 6, S.66758 Keeper x 12, S.66798 Seal-In x 3, S.66799 Seal-Ex x 3		2000, 3000, 4000, 2600, 3600, 4600, 2610, 3610, 4610, Ind. 2110LCG, 230A, 231, 335, 3400, 3500, 420, 515, 530A, 531, 535, 3550, 4110LCG, 4400, 4500
2 S.65701	Intake Valve (Standard Stem) (45° Angle)	87800344 D3NN6507A C5NN6507B	2000, 3000, 4000, 2600, 3600, 4100, 4600, 2310, 2610, 2810, 2910, 3610, 3910, 4110, 4610, (3230, 3430, 3930, 4130, 4630 ->6/94), Ind. 2110LCG, 230A, 231, 233, 234, 250C, 260C, 333, 334, 335, 440, 340, 340A, 340B, 345C, 345D, 3500, 3550, 4110LCG, 420, 4400, 4500, 445, 445A, 445C, 445D, 450, 455, 455C, 455D, 515, 530A, 531, 532, 535, 540, 540A, 540B, 545, 545A, 545C, 545D, 550, 555, 555A, 555B
2 S.65925	Intake Valve (.003" Oversize Stem)	87800345 D3NN6507B C5NN6507C	Same as Above
2 S.65929	Intake Valve (.015" Oversize Stem)	87800346 D3NN6507C C5NN6507D	Same as Above
2 S.65935	Intake Valve (.030" Oversize Stem)	87800347 D3NN6507D C5NN6507E	Same as Above
2 S.65702	Intake Valve (30° Angle)	87800386 D8NN6507AB D8NN6507AA	(3230, 3430, 3930, 4130, 4630, 6/94->), 455C, 455D
2 S.65926	Intake Valve (.003" Oversize Stem)	87800387 D8NN6507BB	Same as Above
2 S.65931	Intake Valve (.015" Oversize Stem)	87800388 D8NN6507CB	Same as Above
2 S.65932	Intake Valve (.030" Oversize Stem)	87800389 D8NN6507DB	Same as Above
2 S.62057	Intake Valve	4824417	3010S, 3830 Orchard
2 S.66541	Intake Valve	82850530 F0NN6507AD	(3930, 4630 12/97->)
3 S.65711	Valve Spring	D6NN6513A	2000, 3000, 4000, Ind. 2110LCG, 3400, 3500, 3550, 4110LCG, 4400, 4500, 2600, 3600, 3900, 4100, 4600, 2310, 2610, 2810, 2910, 3610, 3910, 4110, 4610, Ind. 230A, 2110LCG, 231, 233, 234, (250C, 260C ->9/91), 333, 334, 335, 340, 340A, 340B, (345C ->9/91), 420, 445, 445A, (445C ->9/91), 515, 530A, 531, 532, 535, 540, 540A, 540B, 545, 545A, (545C ->9/91), 550, 555, 555A, 555B
3 S.66028	Valve Spring	E9NN6513BA	3230, 3430, 3930, 4130, 4630, Ind. 250C, 260C 10/91->, 345D, (445C 10/91-> ), 445, (455 10/91->), 445D, (545C 10/91->), 545D, (555C 10/91->)
3 S.62066	Valve Spring	4780108	3010S, 3830 Orchard
4 S.66798	Seal - Intake Valve	C5NE6571A	3 Cylinder (->10-91 except 3010S, 3830 Orchard)
5 S.66758	Key - Valve Lock (Order 2 per Valve)	81876796 C1AE6518A	3 Cylinder (except 3010S, 3830 Orchard)
5 S.59051	Key - Valve Lock (Order 2 per Valve)	14196670	3010S, 3830 Orchard

## Sparex Replacement Spare Parts for Ford/New Holland (65->)

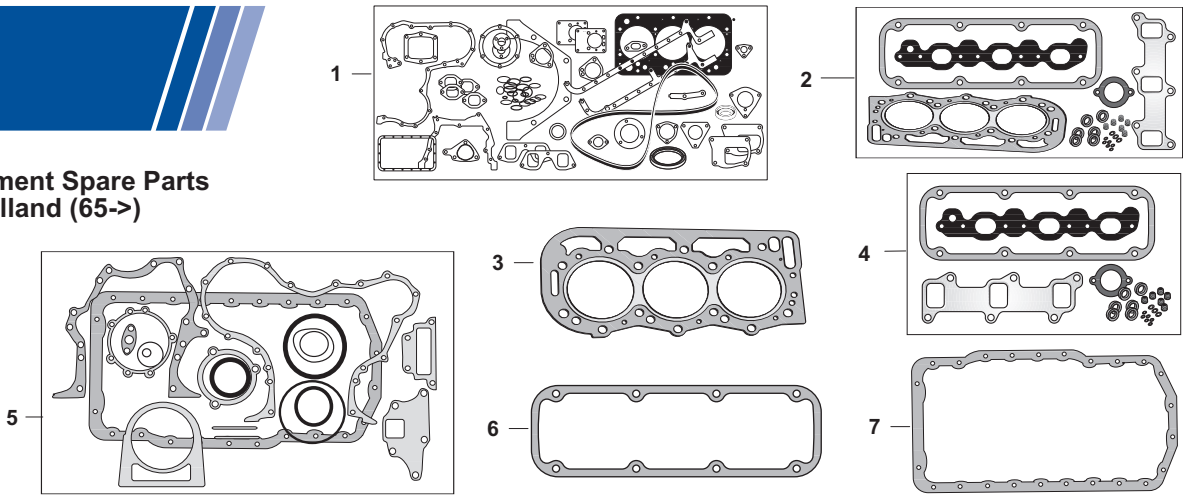
SPAREX No.	DESCRIPTION	EQUIVALENT	TRACTOR MODEL	
6	S.66780	Rocker Arm - Intake Only	83956710 D9NN6529AB	3 Cylinder (->97 except 3010S, 3830 Orchard, 4630)
7	S.66781	Rocker Arm - Exhaust Only	81804316 C5NE6529A	3 Cylinder (->97 except 3010S, 3830 Orchard)
8	S.66799	Seal - Exhaust Valve	C5NE6571B	3 Cylinder (->9/91 except 3010S, 3830 Orchard)
9	S.65712	Exhaust Valve (Standard Stem)	C7NN6505E	2000, 3000, 4000, Ind. 2110LCG, 3400, 3500, 3550, 4110LCG, 4400, 4500
9	S.65924	Exhaust Valve (.003" Oversize Stem)	C7NN6505F	Same as Above
9	S.65927	Exhaust Valve (.015" Oversize Stem)	C7NN6505G	Same as Above
9	S.65940	Exhaust Valve (.030" Oversize Stem)	C7NN6505H	Same as Above
9	S.65704	Exhaust Valve (Standard Stem)	D3NN6505A E9NN6505AA	2600, 3600, 4100, 4600, 2310, 2610, 2810, 2910, 3610, 3910, (4110 less Headland Pistons), 4610, (4610SU less Headland Pistons), (3230, 3430, 3930, 4130 ->12/97 less Hand Primer), Ind. 230A, 231, 233, 234, 250C, 333, 334, 335, (340, 340A, 340B less Headland Pistons), 345C, 345D, 420, (445, 445A, less Headland Pistons), 445C, 445D, (450, 530A less Headland Pistons), 531, 532, 535, 540, (540A, 540B, 545, 545A, less Headland Pistons), 550, 555, 555A, 555B
9	S.65936	Exhaust Valve (.003" Oversize Stem)	87800337 D3NN6505B	Same as Above
9	S.65937	Exhaust Valve (.015" Oversize Stem)	87800338 D3NN6505C	Same as Above
9	S.65938	Exhaust Valve (.030" Oversize Stem)	87800339 D3NN6505D	Same as Above
9	S.65706	Exhaust Valve (Standard Stem)	D8NN6505AA	(4110, 4610SU w/ Headland Pistons), (4630 w/ Hand Primer), Ind. 260C, (340A, 340B, 445, 445A, 450 w/ Headland Pistons), 455C, 455D, (530A, 540A, 540B, 545, 545A, w/ Headland Pistons), 545C, 545D
9	S.65923	Exhaust Valve (.003" Oversize Stem)	C7NN6505F	Same as Above
9	S.65928	Exhaust Valve (.015" Oversize Stem)	C7NN6505G	Same as Above
9	S.65939	Exhaust Valve (.030" Oversize Stem)	C7NN6505H	Same as Above
9	S.62060	Exhaust Valve	99432718 4784889	3010S, 3830 Orchard
10	S.62062	Valve Guide (Intake/Exhaust - Std)	4802126	3010S, 3830 Orchard
11	S.65872	Bushing - Camshaft (4 per Engine)	878200499 C5NE6261B	3 Cylinder (->97 except 3010S, 3830 Orchard)
11	S.62121	Bushing Set - Camshaft (Set of 3)	4718618 4603449 4718619 4603450 4718620 4603451	3010S, 3830 Orchard
12	S.65696	Camshaft	87800323 E8NN6250AA	3 Cylinder (->97 except 3010S, 3830 Orchard)
12	S.59066	Camshaft	4824215	3010S, 3830 Orchard
13	S.65306	Tappet (2.06") Diesel Only	82946434 C7NN6500B	(2000, 3000, 4000 8/65->), 2600, 3600, 4100, 4600, 2310, 2610, 2810, 2910, 3610, 4110, 4610, 3230, 3430, 3930, 4130, 4630, Ind. 230A, 231, 233, 234, 250C, 260C, 333, 334, 335, 340, 340A, 340B, 345C, 345D, 3400, 3500, 3550, 420, 445, 445A, 445C, 445D, 450, 455, 455C, 455D, 4110LCG, 4400, 4500, 515, 530A, 531, 532, 535, 540, 540A, 540B, 545, 545B, 545C, 545D, 550, 555, 555A, 555B
14	S.66363	Push Rod - Diesel Only	C5NE6567B	Same as Above

These parts are Sparex parts and are not manufactured by the Original Equipment Manufacturer. Original Manufacturers' names, part numbers and descriptions are quoted for reference purposes only and are not intended to indicate or suggest that our replacement parts are made by the OEM.



## Sparex Replacement Spare Parts for Ford/New Holland (65->)

### Gaskets (3 Cylinder)

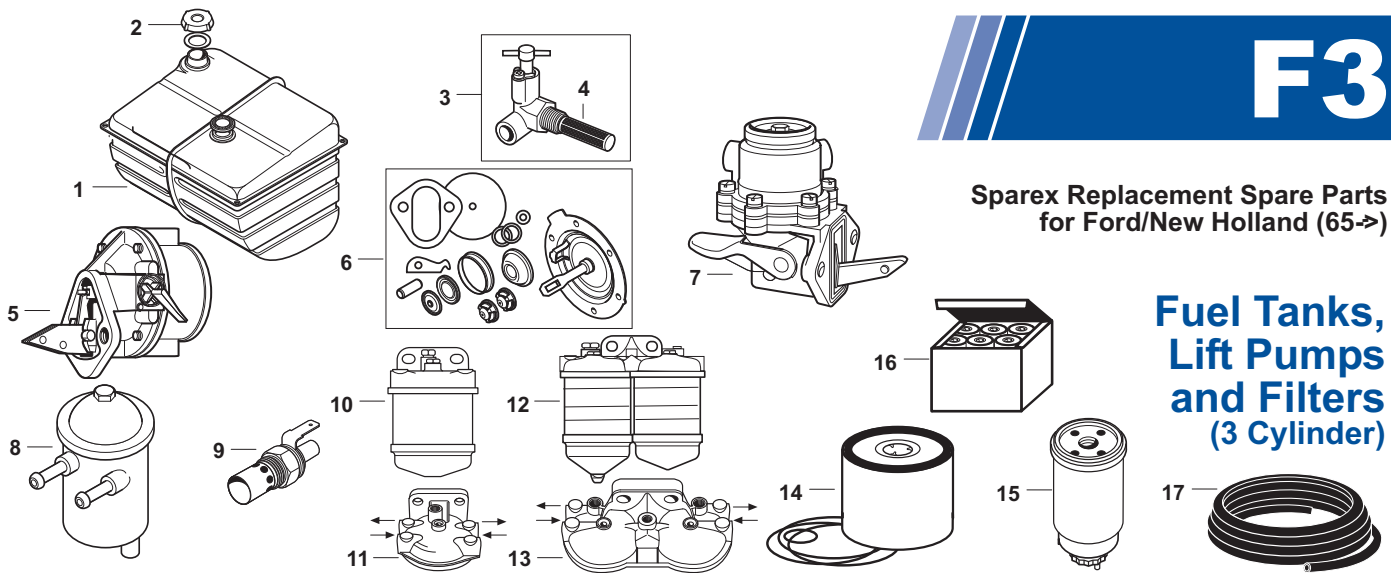


Models	1-Full Set	2-Top Set	3-Head Gasket	4-Service Set	5-Bottom Set w/ Seals	6-Rocker Cover	7-Oil Pan Gasket
2000, 3000, Ind. 2110LCG, 3400, 3500 (Gas)		<b>S.66876</b> Includes Service Set & Head Gasket	<b>S.66880</b> 82845200 C7NN6051R	<b>S.65992</b> 82845225 CFPN6008B	<b>S.65299</b> 82845207 CFPN6A008BB	<b>S.65763</b> C7NN6584B	<b>S.66455</b> F0NN710AA D0NN6710B
2600, 3600, 2610 2910, 3610, Ind. 230A, 231, 335, 420 (Gas)		<b>S.66875</b>	<b>S.65302</b> 82845222 E7NN6051DA	<b>S.65992</b> 82845225 CFPN6008B	<b>S.65299</b> 82845207 CFPN6A008BB	<b>S.65763</b> C7NN6584B	<b>S.66455</b> F0NN710AA D0NN6710B
4000, 4600, 4610, Ind. 4110LCG, 4400, 4500, 515, 531, 535 (Gas)		<b>S.66996</b>		<b>S.65992</b> 82845225 CFPN6008B	<b>S.65299</b> 82845207 CFPN6A008BB	<b>S.65763</b> C7NN6584B	<b>S.66455</b> F0NN710AA D0NN6710B
2000, 3000, Ind. 4110LCG, 3400, 3500, (Diesel)		<b>S.65292</b>	<b>S.65302</b> 82845222 E7NN6051DA	<b>S.65992</b> 82845225 CFPN6008B	<b>S.65299</b> 82845207 CFPN6A008BB	<b>S.65763</b> C7NN6584B	<b>S.66455</b> F0NN710AA D0NN6710B
2600, 3600, 3900 4100, 2310, 2610, 2810, 2910, Ind. 230A, 231, 233, 234, 333, 335, 420 (Diesel)		<b>S.65294</b>	<b>S.65302</b> 82845222 E7NN6051DA	<b>S.65992</b> 82845225 CFPN6008B	<b>S.65299</b> 82845207 CFPN6A008BB	<b>S.65763</b> C7NN6584B	<b>S.66455</b> F0NN710AA D0NN6710B
(4000 ->5/69) Ind. (4110LCG, 4400, 4500->5/69) (Diesel)		<b>S.65293</b>		<b>S.65992</b> 82845225 CFPN6008B	<b>S.65299</b> 82845207 CFPN6A008BB	<b>S.65763</b> C7NN6584B	<b>S.66455</b> F0NN710AA D0NN6710B
(4000 6/69->), 4600, 3610, 3910, 4610, 3230, 3430, 3930, 4130, 4630, Ind. 340A, 345C, 345D, 445, 445A, 445C, 445D, 450, 455, 455A, 455C, 455D, (4110LCG, 4400, 4500 6/69->), 515, 530A, 531, 535, 540, 540A, 540B, 545, 545A, 545C, 545D, 550, 555, 555A, 555B (Diesel)		<b>S.65295</b>	<b>S.65303</b> 87800106 E8NN6051AA	<b>S.65992</b> 82845225 CFPN6008B	<b>S.65299</b> 82845207 CFPN6A008BB	<b>S.65763</b> C7NN6584B	<b>S.66455</b> F0NN710AA D0NN6710B
3010S, 3830 Orchard, 3435, 3935, 4135	<b>S.62080*</b> 1940070 1930253	<b>S.62100</b> 1930255				<b>S.62127</b> 4845135 4783243	<b>S.62113</b> 1940006
4635	<b>S.62083**</b> 1940098 1909559	<b>S.62102</b> 1940096				<b>S.62127</b> 4845135 4783243	<b>S.62113</b> 1940006

\*less Crankshaft Seals  
\*\*with Crankshaft Seals

These parts are Sparex parts and are not manufactured by the Original Equipment Manufacturer. Original Manufacturers' names, part numbers and descriptions are quoted for reference purposes only and are not intended to indicate or suggest that our replacement parts are made by the OEM.

## Sparex Replacement Spare Parts for Ford/New Holland (65-➔)



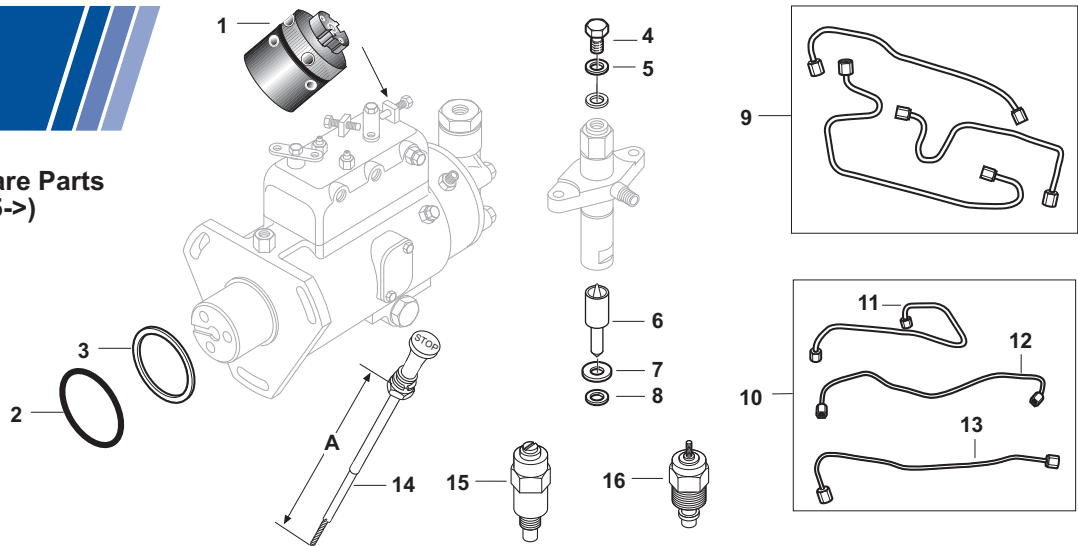
## Fuel Tanks, Lift Pumps and Filters (3 Cylinder)

SPAREX No.	DESCRIPTION	EQUIVALENT	TRACTOR MODEL
1 S.61300	Fuel Tank - less Cap (for Lock Ring type Sender)	E3NN9002AB C5NN9002AC	2000, 3000, 4000SU, 2600, 3600, 3900, 4100, 4600SU, 2310, 2610, 2810*, 2910*, 3610, 3910*, 4110*, 4610SU, Ind. 2110LCG, 231, 233, 333, 4110LCG, 531 (*2-WD only - less Cab)
1 S.66739	Fuel Tank - less Cap (for Lock Ring type Sender)	E3NN9002KB E2NN9002BA	4000, 4200 Rowcrop, 4600, (2810, 2910, 3910, 4110 4-WD only - less Cab), 4610, Ind. 3500, 3550, 420, 4400, 4500, 515, 535
2 S.65819	Cap - Fuel Tank w/ 2 Lugs	E7NN9030AA	Most Models
3 S.65286	Shut-Off Assembly - Economy	E2NN9N024AA D8NN9N024AB	Most Models
3 S.65714	Shut-Off Assembly - Brass Stem	E2NN9N024AA D8NN9N024AB	Most Models
4 S.65287	Filter - Fuel Shut-Off	D9NN9N187AA	Most Models
5 S.40562	Lift Pump w/ Simms Injector Pump	D8NN9350AB	3000, Ind. 3400, 3500
6 S.65285	Repair Kit - Lift Pump w/ Simms Injector Pump	693F9K340AA	3000, Ind. 3400, 3500
7 S.63039	Lift Pump	4757883	3010S, 3830 Orchard
8 S.62678	Reservoir - Thermostat	5135040	3830 Orchard
9 S.40627	Heater Plug	C5NE9A436A	2000, 3000, 4000, 2600, 3600, 3900, 4100, 4600, (2610, 3610, 4110, 4610 ->10/82), Ind. 230A, 231, 233, 234, 2110LCG, 333, (334 ->10/82), 335, 340, 340A, 3400, 3500, 3550, 420, 4110LCG, (445 ->10/82), 4400, 4500, 515, 530A, 531, 532, 535, 540, 540A, 545, 550, 555
9 S.62361	Heater Plug	5161845	3010S, 3830 Orchard
10 S.60425	Fuel Filter Assembly - CAV/Simms type (1/2" x 20 UNF Ports)		Outer Ports "In", Inner Ports "Out"
11 S.42127	Filter Head - Bare Casting - CAV/Simms type (1/2" x 20 UNF Ports)		Outer Ports "In", Inner Ports "Out"
12 S.60426	Fuel Filter Assembly - CAV/Simms type (1/2" x 20 UNF Ports)		Outer Ports "In", Inner Ports "Out"
13 S.42128	Filter Head - Bare Casting - CAV/Simms type (1/2" x 20 UNF Ports)		Outer Ports "In", Inner Ports "Out"
14 S.40542	Fuel Filter - CAV/Simms type (3.46" OD, .75" ID, 2.85" Height)	83937061 EDPN9N074AA CAV7111/296	
14 S.40543	Fuel Filter - CAV/Simms type (3.50 OD, .75" ID, 4.44" Height)	D8NN9176AA CAV7111/796	
15 S.76328	Fuel Filter - Bosch type - Thread-on (3.46" OD, M16x1.5" ID, 6.10" Height)	1930010 87800220	3010S, 3830 Orchard
16 S.00296	Fuel Filters - Box of 6 - CAV/Simms type (3.46" OD, .75" ID, 2.85" Height)	83937061 EDPN9N074AA CAV7111/296	
17 S.19156	Fuel/Leak-off Hose (4mm/.157" ID, 50' Spool)		
17 S.19157	Fuel/Leak-off Hose (5mm/.197" ID, 50' Spool)		

These parts are Sparex parts and are not manufactured by the Original Equipment Manufacturer. Original Manufacturers' names, part numbers and descriptions are quoted for reference purposes only and are not intended to indicate or suggest that our replacement parts are made by the OEM.

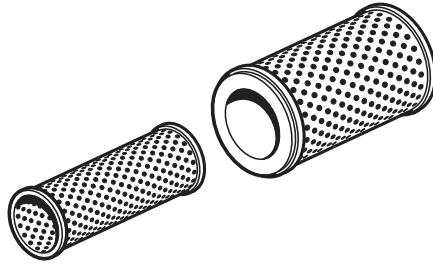
## Sparex Replacement Spare Parts for Ford/New Holland (65->)

### Fuel System and Related Components (3 Cylinder)



SPAREX No.	DESCRIPTION	EQUIVALENT	TRACTOR MODEL
1	<b>S.60257</b> Head & Rotor - CAV Injector Pump		
2	<b>S.01949</b> O-Ring - CAV Injector Pump to Engine	510185 87071S94	
3	<b>S.41487</b> Seal - CAV Injector Pump	E2NN9G501AA C5NE9G501A	
4	<b>S.66006</b> Bolt - Leak-off	D1NN9R523A	2000, 3000, 4000, 2600, 3600, 3900, 4100, 4600, 2310, 2610, (2810, 2910 ->11/84), 3610, (3910, 4110, 4610 ->11/84), Ind. 230A, 231, 233, 234, 250C, 260C, 2110LCG, 333, 334, 335, 340, 340A, 340B, 3400, 3500, 3550, 4110LCG, 420, 445, 445A, 450, 4400, 4500, 515, 530A, 531, 532, 535, 540, 540A, 540B, 545, 545A, 550, (555 ->4/79)
5	<b>S.11113</b> Washer - Leak-off Line (3/8" ID, 7/16" OD)	380428S	
6	<b>S.62358</b> Nozzle - Injector	4802393 4792443	<b>3010S</b>
6	<b>S.62359</b> Nozzle - Injector	99474915 4800030	<b>3830 Orchard</b>
7	<b>S.66776</b> Cork Seal - Injector (Pack of 10)	81806277 C5NE9F596A	<b>Most Models</b>
8	<b>S.11112</b> Sealing Washer - Injector (7/16" ID, 11/16" OD)	C5NE9E529A	
9	<b>S.66007</b> Injector Line Set	C5NE9A555D C5NE9A556D C5NE9A557E	2000, (3000 ->12/66), (4000 ->3/68), Ind. 2110LCG, (3400, 3500 ->12/66), (4110LCG, 4400, 4500 ->3/68)
10	<b>S.66019</b> Injector Line Set		2600, 3600, 4100, 4600, 2310, 2610, 2810, 2910, 3610, 4110, 4610, Ind. 230A, 231, 233, 234, 333, 334, 335, 340, 340A, 340B, 420, 445, 445A, 455, 515, 530A, 531, 532, 535, 540, 540A, 540B, 545, 545A, 550, 555, 555A, 555B
11	<b>S.65999</b> Injector Line - #1 Cylinder	D9NN9A555BA	<b>Same as Above</b>
12	<b>S.66008</b> Injector Line - #2 Cylinder	D9NN9A556AA	<b>Same as Above</b>
13	<b>S.66009</b> Injector Line - #3 Cylinder	D9NN9N557AA	<b>Same as Above</b>
14	<b>S.67059</b> Shut-off Cable (A=48") No Cutting Required	E5NN9C331EA	2000, 3000, 4000, 2600, 3600, 3900, 4100, 4600, 2310, 2610, 2810, 2910, 3610, 3910, 4110, 4610, Ind. 230A, 231, 233, 234, 2110LCG, 333, 334, 335, 340, 340A, 340B, 3400, 3500, 3550, 420, 445, 445A, 455, 4110LCG, 4400, 4500, 515, 530A, 531, 532, 535, 540, 540A, 540B, 545, 545A
14	<b>S.65746</b> Shut-off Cable (A=63 1/4") Cut to Fit		
14	<b>S.65747</b> Shut-off Cable (A=66") Cut to Fit		
14	<b>S.14551</b> Shut-off Cable (A=85 1/2") Cut to Fit		
15	<b>S.62711</b> Shut-off Solenoid	9986316	<b>3010S, (3830 Orchard w/ CAV Injector Pump)</b>
16	<b>S.59168</b> Shut-off Solenoid	8190393	<b>(3830 Orchard w/ Bosch Injector Pump)</b>

These parts are Sparex parts and are not manufactured by the Original Equipment Manufacturer. Original Manufacturers' names, part numbers and descriptions are quoted for reference purposes only and are not intended to indicate or suggest that our replacement parts are made by the OEM.



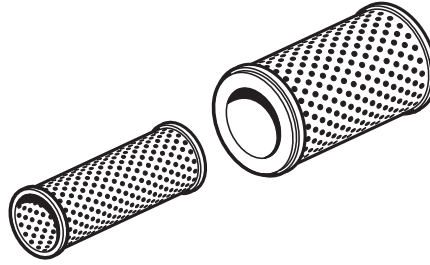
## Sparex Replacement Spare Parts for Ford/New Holland (65->)

### Air Filters (3 Cylinder - Dry)

TRACTOR MODEL	OUTER	DIMENSION	INNER	DIMENSION
(230A, 231 Gas)	<b>S.40547</b> E6NN9B618AB D2NN9R500A	(4.47"OD, 2.28"ID, 10.69" Ht)	<b>S.76547</b> 83957161 E6NN9R500DA	(2.11"OD, 2.54" OD Bot, .33"ID Top, 1.87" ID Bot, 10.31" Ht)
(230A Diesel) (231, 233 6/76-> Diesel)	<b>S.76515</b> 83908364 D6NN9601A	(5.31"OD, .45"IDTop, 3.08"ID Bot, 11.25" Ht)	<b>S.76510</b> 83908367 D6NN9R500A	(2.93"OD, .50"ID Top, 2.46"ID Bot, 10.00" Ht)
(250C, 260C Diesel)	<b>S.76524</b> E9NN9B618AA D6NN9601B	(5.34"OD, .44"ID Top, 3.06"ID Bot, 15.00" Ht)	<b>S.76511</b> 86525008 D6NN9R500B	(2.93"OD, .49"ID Top, 2.46"ID Bot, 13.37" Ht)
(333 6/76-> Diesel)	<b>S.76515</b> 83908364 D6NN9601A	(5.31"OD, .45"IDTop, 3.08"ID Bot, 11.25" Ht)	<b>S.76510</b> 83908367 D6NN9R500A	(2.93"OD, .50"ID Top, 2.46"ID Bot, 10.00" Ht)
(334 Diesel)	<b>S.76524</b> E9NN9B618AA D6NN9601B	(5.34"OD, .44"ID Top, 3.06"ID Bot, 15.00" Ht)	<b>S.76511</b> 86525008 D6NN9R500B	(2.93"OD, .49"ID Top, 2.46"ID Bot, 13.37" Ht)
(335 Gas) (335 ->5/76 Diesel)	<b>S.40547</b> E6NN9B618AB D2NN9R500A	(4.47"OD, 2.28"ID, 10.69" Ht)	<b>S.76547</b> 83957161 E6NN9R500DA	(2.11"OD, 2.54" OD Bot, .33"ID Top, 1.87" ID Bot, 10.31" Ht)
(335 6/76-> Diesel)	<b>S.76515</b> 83908364 D6NN9601A	(5.31"OD, .45"IDTop, 3.08"ID Bot, 11.25" Ht)	<b>S.76510</b> 83908367 D6NN9R500A	(2.93"OD, .50"ID Top, 2.46"ID Bot, 10.00" Ht)
(340 Gas)	<b>S.40547</b> E6NN9B618AB D2NN9R500A	(4.47"OD, 2.28"ID, 10.69" Ht) 83957161	<b>S.76547</b> 83957161 E6NN9R500DA	(2.11"OD, 2.54" OD Bot, .33"ID Top, 1.87" ID Bot, 10.31" Ht)
(340A, 340B Diesel)	<b>S.76515</b> 83908364 D6NN9601A	(5.31"OD, .45"IDTop, 3.08"ID Bot, 11.25" Ht)	<b>S.76510</b> 83908367 D6NN9R500A	(2.93"OD, .50"ID Top, 2.46"ID Bot, 10.00" Ht)
(420, 445 Gas) (420 Diesel)	<b>S.40547</b> E6NN9B618AB D2NN9R500A	(4.47"OD, 2.28"ID, 10.69" Ht) 83957161	<b>S.76547</b> 83957161 E6NN9R500DA	(2.11"OD, 2.54" OD Bot, .33"ID Top, 1.87" ID Bot, 10.31" Ht)
(445, 445A, 445C, 445D, 450 Diesel)	<b>S.76515</b> 83908364 D6NN9601A	(5.31"OD, .45"IDTop, 3.08"ID Bot, 11.25" Ht)	<b>S.76510</b> 83908367 D6NN9R500A	(2.93"OD, .50"ID Top, 2.46"ID Bot, 10.00" Ht)
(515, 531, 532, 535 Gas) (515, 531, 532 ->5/76 Diesel)	<b>S.40547</b> E6NN9B618AB D2NN9R500A	(4.47"OD, 2.28"ID, 10.69" Ht) 83957161	<b>S.76547</b> 83957161 E6NN9R500DA	(2.11"OD, 2.54" OD Bot, .33"ID Top, 1.87" ID Bot, 10.31" Ht)
(515, 531, 532 6/76-> Diesel)	<b>S.76515</b> 83908364 D6NN9601A	(5.31"OD, .45"IDTop, 3.08"ID Bot, 11.25" Ht)	<b>S.76510</b> 83908367 D6NN9R500A	(2.93"OD, .50"ID Top, 2.46"ID Bot, 10.00" Ht)
(535, 420 Diesel)	<b>S.40547</b> E6NN9B618AB D2NN9R500A	(4.47"OD, 2.28"ID, 10.69" Ht) 83957161	<b>S.76547</b> 83957161 E6NN9R500DA	(2.11"OD, 2.54" OD Bot, .33"ID Top, 1.87" ID Bot, 10.31" Ht)
540, (530A, 540, 540A, 540B Diesel)	<b>S.76515</b> 83908364 D6NN9601A	(5.31"OD, .45"IDTop, 3.08"ID Bot, 11.25" Ht)	<b>S.76510</b> 83908367 D6NN9R500A	(2.93"OD, .50"ID Top, 2.46"ID Bot, 10.00" Ht)
(545 Gas)	<b>S.40547</b> E6NN9B618AB D2NN9R500A	(4.47"OD, 2.28"ID, 10.69" Ht) 83957161	<b>S.76547</b> 83957161 E6NN9R500DA	(2.11"OD, 2.54" OD Bot, .33"ID Top, 1.87" ID Bot, 10.31" Ht)

These parts are Sparex parts and are not manufactured by the Original Equipment Manufacturer. Original Manufacturers' names, part numbers and descriptions are quoted for reference purposes only and are not intended to indicate or suggest that our replacement parts are made by the OEM.

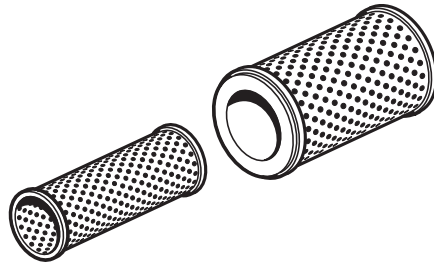
## Sparex Replacement Spare Parts for Ford/New Holland (65->)



### Air Filters (3 Cylinder - Dry)

TRACTOR MODEL	OUTER	DIMENSION	INNER	DIMENSION
(550, 555 Gas/Diesel) (545, 545A, 545C, 545D, 555A, 555B Diesel)	<b>S.76515</b> 83908364 D6NN9601A (->7/81)	(5.31"OD, .45"ID Top, 3.08"ID Bot, 11.25" Ht)	<b>S.76510</b> 83908367 D6NN9R500A (->7/81)	(2.93"OD, .50"ID Top, 2.46"ID Bot, 10.00" Ht)
	<b>S.76516</b> 81866927 E9NN9601AA (8/81->)	(7.38"OD Top, 6.69"OD Bot, .50"ID Top, 3.76"ID Bot, 15.44" Ht)	<b>S.65808</b> 81823932 D1NN9R500A (8/81->)	(3.62"OD, .44"ID Top, 3.06"ID Bot, 13.81" Ht)
(2000, 2110LCG Gas)	<b>S.40547</b> E6NN9B618AB D2NN9R500A	(4.47"OD, 2.28"ID, 10.69" Ht)	<b>S.76547</b> 83957161 E6NN9R500DA (1/73->)	(2.11"OD, 2.54" OD Bot, .33"ID Top, 1.87" ID Bot, 10.31" Ht)
(2310 Diesel)	<b>S.76524</b> E9NN9B618AA D6NN9601B	(5.34"OD, .44"ID Top, 3.06"ID Bot, 15.00" Ht)	<b>S.76511</b> 86525008 D6NN9R500B	(2.93"OD, .49"ID Top, 2.46"ID Bot, 13.37" Ht)
(2600 Gas)	<b>S.40547</b> E6NN9B618AB D2NN9R500A	(4.47"OD, 2.28"ID, 10.69" Ht)	<b>S.76547</b> 83957161 E6NN9R500DA	(2.11"OD, 2.54" OD Bot, .33"ID Top, 1.87" ID Bot, 10.31" Ht)
(2600 Diesel)	<b>S.76515</b> 83908364 D6NN9601A (4/76->)	(5.31"OD, .45"ID Top, 3.08"ID Bot, 11.25" Ht)	<b>S.76510</b> 83908367 D6NN9R500A (4/76->)	(2.93"OD, .50"ID Top, 2.46"ID Bot, 10.00" Ht)
(2610 Gas)	<b>S.40547</b> E6NN9B618AB D2NN9R500A	(4.47"OD, 2.28"ID, 10.69" Ht)	<b>S.76547</b> 83957161 E6NN9R500DA	(2.11"OD, 2.54" OD Bot, .33"ID Top, 1.87" ID Bot, 10.31" Ht)
(2610, 2810, 2910 Diesel)	<b>S.76524</b> E9NN9B618AA D6NN9601B	(5.34"OD, .44"ID Top, 3.06"ID Bot, 15.00" Ht)	<b>S.76511</b> 86525008 D6NN9R500B	(2.93"OD, .49"ID Top, 2.46"ID Bot, 13.37" Ht)
(3000, 3400 Gas) (3400 Diesel)	<b>S.40547</b> E6NN9B618AB D2NN9R500A	(4.47"OD, 2.28"ID, 10.69" Ht)	<b>S.76547</b> 83957161 E6NN9R500DA (1/73->)	(2.11"OD, 2.54" OD Bot, .33"ID Top, 1.87" ID Bot, 10.31" Ht)
(3010S Diesel)	<b>S.76516</b> 81866927 E9NN9601AA (w/ Steel Case)	(7.38"OD Top, 6.69"OD Bot, .50"ID Top, 3.76"ID Bot, 15.44" Ht)	<b>S.65808</b> 81823932 D1NN9R500A (w/ Steel Case)	(3.62"OD, .44"ID Top, 3.06"ID Bot, 13.81" Ht)
(3010S Diesel)	<b>S.76873</b> 82981152 (w/ Donaldson-Plastic)		<b>S.76747</b> 82981153 (w/ Donaldson-Plastic)	
(3230, 3430 Diesel)	<b>S.76524</b> E9NN9B618AA D6NN9601B	(5.34"OD, .44"ID Top, 3.06"ID Bot, 15.00" Ht)	<b>S.76511</b> 86525008 D6NN9R500B	(2.93"OD, .49"ID Top, 2.46"ID Bot, 13.37" Ht)
(3500, 3550 Gas) (3500, 3550 Diesel)	<b>S.40547</b> E6NN9B618AB D2NN9R500A	(4.47"OD, 2.28"ID, 10.69" Ht)	<b>S.76547</b> 83957161 E6NN9R500DA (1/73->)	(2.11"OD, 2.54" OD Bot, .33"ID Top, 1.87" ID Bot, 10.31" Ht)
(3600 Gas)	<b>S.40547</b> E6NN9B618AB D2NN9R500A	(4.47"OD, 2.28"ID, 10.69" Ht)	<b>S.76547</b> 83957161 E6NN9R500DA	(2.11"OD, 2.54" OD Bot, .33"ID Top, 1.87" ID Bot, 10.31" Ht)

These parts are Sparex parts and are not manufactured by the Original Equipment Manufacturer. Original Manufacturers' names, part numbers and descriptions are quoted for reference purposes only and are not intended to indicate or suggest that our replacement parts are made by the OEM.



Sparex Replacement Spare Parts  
for Ford/New Holland (65->)

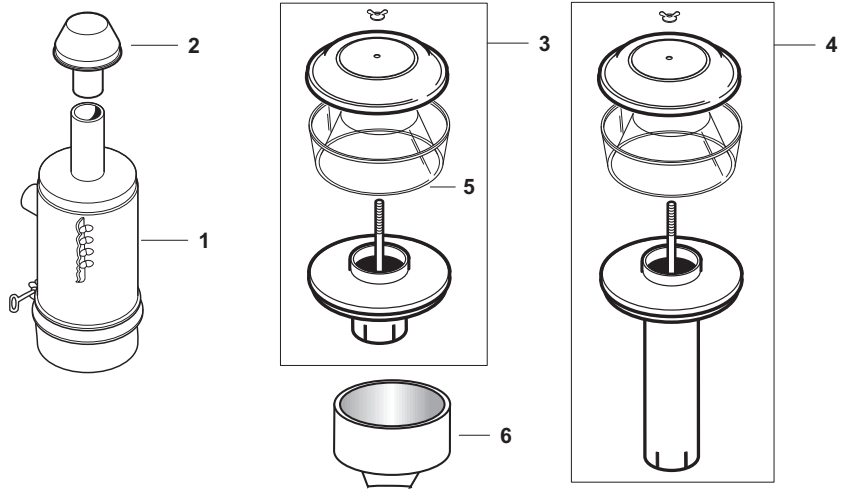
## Air Filters (3 Cylinder - Dry)

TRACTOR MODEL	OUTER	DIMENSION	INNER	DIMENSION
(3600 Diesel)	<b>S.76515</b> 83908364 D6NN9601A (4/76->)	(5.31"OD, .45"IDTop, 3.08"ID Bot, 11.25" Ht)	<b>S.76510</b> 83908367 D6NN9R500A (4/76->)	(2.93"OD, .50"ID Top, 2.46"ID Bot, 10.00" Ht)
(3610 Gas)	<b>S.40547</b> E6NN9B618AB D2NN9R500A	(4.47"OD, 2.28"ID, 10.69" Ht)	<b>S.76547</b> 83957161 E6NN9R500DA	(2.11"OD, 2.54" OD Bot, .33"ID Top, 1.87" ID Bot, 10.31" Ht)
(3610 Diesel)	<b>S.76524</b> E9NN9B618AA D6NN9601B	(5.34"OD, .44"ID Top, 3.06"ID Bot, 15.00" Ht)	<b>S.76511</b> 86525008 D6NN9R500B	(2.93"OD, .49"ID Top, 2.46"ID Bot, 13.37" Ht)
(3830 Orchard)	<b>S.76837</b> 1930443		<b>S.76788</b> 1930442	
(3900 Diesel)	<b>S.76515</b> 83908364 D6NN9601A	(5.31"OD, .45"IDTop, 3.08"ID Bot, 11.25" Ht)	<b>S.76510</b> 83908367 D6NN9R500A	(2.93"OD, .50"ID Top, 2.46"ID Bot, 10.00" Ht)
(3910, 3930 Diesel)	<b>S.76524</b> E9NN9B618AA D6NN9601B	(5.34"OD, .44"ID Top, 3.06"ID Bot, 15.00" Ht)	<b>S.76511</b> 86525008 D6NN9R500B	(2.93"OD, .49"ID Top, 2.46"ID Bot, 13.37" Ht)
(4000 Gas)	<b>S.40547</b> E6NN9B618AB D2NN9R500A	(4.47"OD, 2.28"ID, 10.69" Ht)	<b>S.76547</b> 83957161 E6NN9R500DA (1/73->)	(2.11"OD, 2.54" OD Bot, .33"ID Top, 1.87" ID Bot, 10.31" Ht)
(4100 Diesel)	<b>S.76515</b> 83908364 D6NN9601A (4/76->)	(5.31"OD, .45"IDTop, 3.08"ID Bot, 11.25" Ht)	<b>S.76510</b> 83908367 D6NN9R500A (4/76->)	(2.93"OD, .50"ID Top, 2.46"ID Bot, 10.00" Ht)
(4110LCG Gas)	<b>S.40547</b> E6NN9B618AB D2NN9R500A	(4.47"OD, 2.28"ID, 10.69" Ht)	<b>S.76547</b> 83957161 E6NN9R500DA (1/73->)	(2.11"OD, 2.54" OD Bot, .33"ID Top, 1.87" ID Bot, 10.31" Ht)
(4110, 4130 Diesel)	<b>S.76524</b> E9NN9B618AA D6NN9601B	(5.34"OD, .44"ID Top, 3.06"ID Bot, 15.00" Ht)	<b>S.76511</b> 86525008 D6NN9R500B	(2.93"OD, .49"ID Top, 2.46"ID Bot, 13.37" Ht)
(4400, 4500, 4600, 4610 Gas)	<b>S.40547</b> E6NN9B618AB D2NN9R500A	(4.47"OD, 2.28"ID, 10.69" Ht)	<b>S.76547</b> 83957161 E6NN9R500DA (1/73->)	(2.11"OD, 2.54" OD Bot, .33"ID Top, 1.87" ID Bot, 10.31" Ht)
(4600 Diesel)	<b>S.76515</b> 83908364 D6NN9601A (4/76->)	(5.31"OD, .45"IDTop, 3.08"ID Bot, 11.25" Ht)	<b>S.76510</b> 83908367 D6NN9R500A (4/76->)	(2.93"OD, .50"ID Top, 2.46"ID Bot, 10.00" Ht)
(4610 Diesel)	<b>S.76524</b> E9NN9B618AA D6NN9601B	(5.34"OD, .44"ID Top, 3.06"ID Bot, 15.00" Ht)	<b>S.76511</b> 86525008 D6NN9R500B	(2.93"OD, .49"ID Top, 2.46"ID Bot, 13.37" Ht)
(4630 Diesel) (less Turbo)	<b>S.76524</b> E9NN9B618AA D6NN9601B	(5.34"OD, .44"ID Top, 3.06"ID Bot, 15.00" Ht)	<b>S.76511</b> 86525008 D6NN9R500B	(2.93"OD, .49"ID Top, 2.46"ID Bot, 13.37" Ht)
(4630 Diesel) (w/ Turbo)	<b>S.76516</b> 81866927 E9NN9601AA	(7.38"OD Top, 6.69"OD Bot, .50"ID Top, 3.76"ID Bot, 15.44" Ht)	<b>S.65808</b> 81823932 D1NN9R500A	(3.62"OD, .44"ID Top, 3.06"ID Bot, 13.81" Ht)

These parts are Sparex parts and are not manufactured by the Original Equipment Manufacturer. Original Manufacturers' names, part numbers and descriptions are quoted for reference purposes only and are not intended to indicate or suggest that our replacement parts are made by the OEM.

## Sparex Replacement Spare Parts for Ford/New Holland (65->)

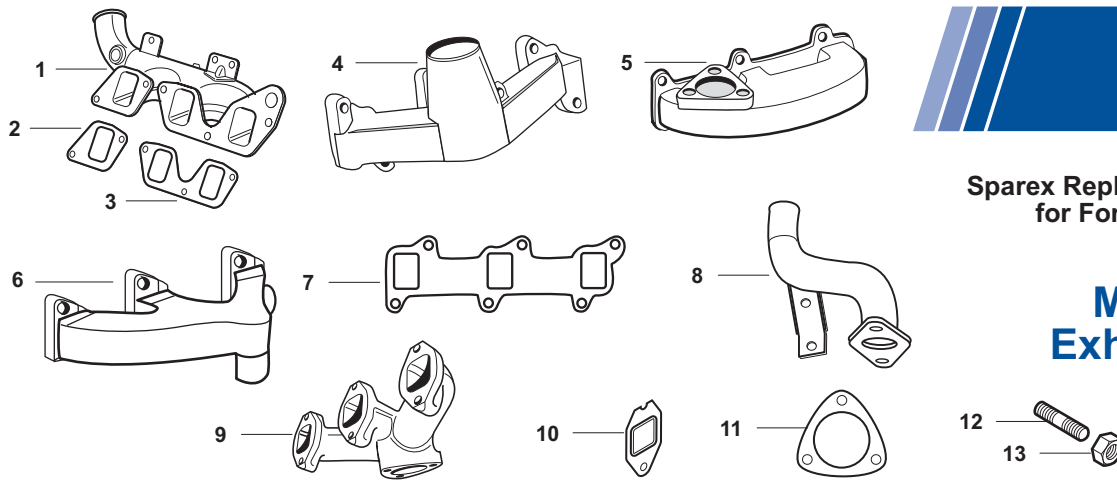
### Air Cleaners (3 Cylinder)



SPAREX No.	DESCRIPTION	EQUIVALENT	TRACTOR MODEL
1	S.61383 Air Cleaner - Oil Bath (6" Dia, 2" Intake)	C5NE9600F	(2000, 3000, 2600, 3600 Diesel), Ind. (2110LCG Diesel), (231, 233, 333 Diesel ->4/76), (3400 Diesel ->8/67), (531 Diesel ->4/76)
1	S.61385 Air Cleaner - Oil Bath (7" Dia, 2 1/4" Intake)	C5NE9600E	(4000 Diesel), (4100 Diesel 75-4/76), Ind. (4110LCG Diesel), (4400 Diesel ->7/67)
1	S.66709 Air Cleaner - Oil Bath (7 3/4" Dia, 2 1/2" Intake)	D3NN9600F	(4600, Ind. 531 Diesel ->4/76)
2	S.60653 Pre-Cleaner Cap (Fits 2" Intake, 6 1/2" Overall)	C5NN9A660B	
2	S.41559 Pre-Cleaner Cap (Fits 2" Intake, 14" Overall) Red		
2	S.61868 Pre-Cleaner Cap (Fits 2 1/4" Intake, 6 3/4" Overall)	C5NN9A660A	
2	S.66877 Pre-Cleaner Cap (Fits 2 1/2" Intake, 8" Overall)	D3NN9A660D	
3	S.65719 Pre-Cleaner Assembly (2 1/4" Inlet, 7" Bowl)		
3	S.63379 Pre-Cleaner Assembly (2 1/2" Inlet, 7" Bowl)		
3	S.41393 Pre-Cleaner Assembly (3" Inlet, 7" Bowl)		
3	S.41395 Pre-Cleaner Assembly (3" Inlet, 10" Bowl)		
4	S.66397 Pre-Cleaner Assembly (11 1/4" Extension Pipe) (2" Inlet, 6 1/2" Bowl)		
4	S.67049 Pre-Cleaner Assembly (9 1/2" Extension Pipe) (2 1/4" Inlet, 7" Bowl)		
5	S.41397 Bowl - Quality Plastic (7")	C0NN9A663A	
5	S.41405 Bowl - Economy Plastic (7")	C0NN9A663A	
5	S.41398 Bowl - Quality Plastic (10")	82980264 C9NN9A660C	
5	S.41403 Bowl - Economy Plastic (10")	C9NN9A660C	
6	S.75832 Dust Collector - Rubber (Fits 3" Pipe)	F0NN9C673AA D2NN9C673B	

## Sparex Replacement Spare Parts for Ford/New Holland (65->)

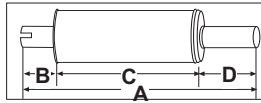
### Manifolds and Exhaust System



SPAREX No.	DESCRIPTION	EQUIVALENT	TRACTOR MODEL
1	S.62157 Intake Manifold	4602345	3010S, 3830 Orchard
2	S.59068 Gasket - Single - Intake Manifold	98400791	3010S, 3830 Orchard
3	S.69823 Gasket - Double - Intake Manifold	4851921	3010S, 3830 Orchard
4	S.60646 Exhaust Manifold - Vertical	C5NE9430E	2000, 3000, 4000, Ind. 2110LG, 3400, 3500, 3550, 4110LCG, 4400, 4500
5	S.61612 Exhaust Manifold - Vertical	D3NN9430A	2600, 3600, 4100, 4600, 2310, 2610, 2810, 2910, 3610, 3910, 4110, 4610, 3230, 3430, 3930, 4130 (4640 less Turbo), Ind. 230A, 231, 233, 234, 250C, 260C, 333, 334, 335, 340, 340A, 340B, 345C, 345D, 420, 445, 445A, 445C, 445D, 450, 455, 455C, 455D, 515, 530A, 531, 532, 535, 540, 540A, 540B, 545, 545A, 545C, 545D, 550, 555, 555A, 555B
6	S.61384 Exhaust Manifold - Horizontal	C5NE9430A	2000, 3000, 4000, 2600, 3600, 4100, 4600, 2310, 2610, 2810, 2910, 3610, 3910, 4110, 4610, 3230, 3430, 3930, 4130, (4630 less Turbo), Ind. 230A, 231, 233, 234, 2110LCG, 333, 334, 335, 340A, 340B, 3400, 3500, 3550, 420, 445, 445A, 450, 4110LCG, 4400, 4500, 515, 530A, 531, 532, 535, 540, 540A, 540B, 545, 545A
7	S.65946 Gasket - Exhaust Manifold	E8NN9448AA C5NE9448A	Fits: S.60646, S.61384, S.61612
8	S.61783 Exhaust Pipe - Vertical	D6NN5246N	2600, 3600, 4100, 4600, 2310, 2610, 2810, 2910, 3610, 3910, 4110, 4610, 3230, 3430, 3930, 4130 (4640 less Turbo), Ind. 230A, 231, 233, 234, 250C, 260C, 333, 334, 335, 340, 340A, 340B, 345C, 345D, 420, 445, 445A, 445C, 445D, 450, 455, 455C, 455D, 515, 530A, 531, 532, 535, 540, 540A, 540B, 545, 545A, 545C, 545D, 550, 555, 555A, 555B
9	S.62153 Exhaust Manifold	4607842	3010S, 3830 Orchard
10	S.62446 Gasket - Exhaust Manifold to Head	98489690 4601981	3010S, 3830 Orchard
11	S.62152 Gasket - Manifold to Elbow	5152380	3010S, 3830 Orchard
12	S.62544 Stud - Manifold to Elbow	13543721	3010S, 3830 Orchard
13	S.62662 Nut - Manifold to Elbow	5118186	3010S, 3830 Orchard

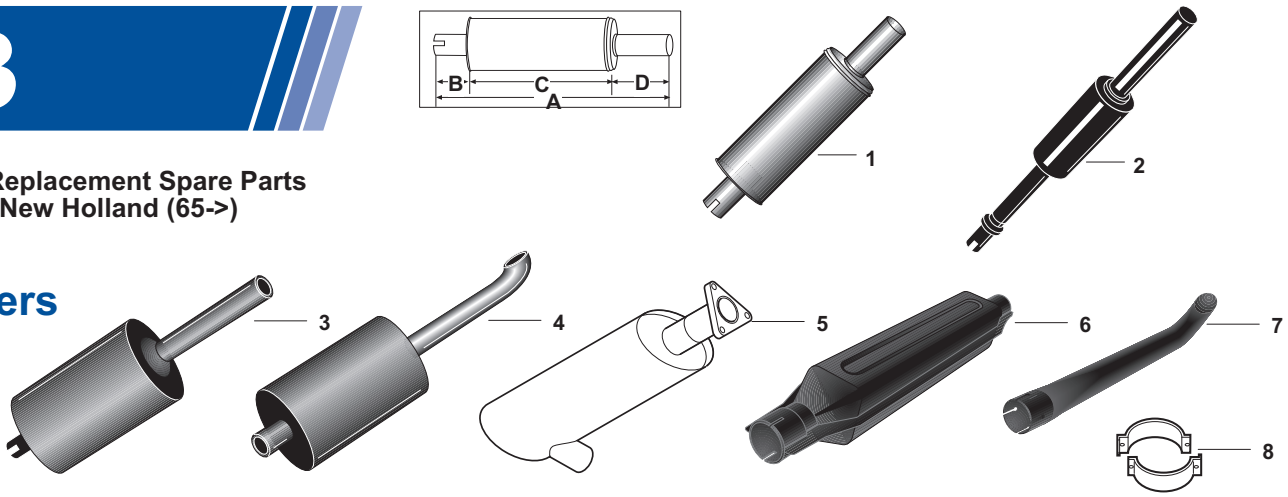
These parts are Sparex parts and are not manufactured by the Original Equipment Manufacturer. Original Manufacturers' names, part numbers and descriptions are quoted for reference purposes only and are not intended to indicate or suggest that our replacement parts are made by the OEM.





## Sparex Replacement Spare Parts for Ford/New Holland (65->)

### Mufflers



SPAREX No.	DESCRIPTION	EQUIVALENT	TRACTOR MODEL
1	<b>S.66649</b> Muffler - Black Enamel - Vertical (A=29", B=5 1/2", C=16", D=7 1/2", 1 7/8" Inlet, 2" Outlet) Economy Replacement	DHPN5230A	2000, 3000, 4000, 2600, 3600, 4100, 4600, 2310, 2610, 2810, 2910, 3610, 3910, 4110, 4610, Ind. 230A, 231, 233, 234, 2110LCG, 333, 334, 335, 340, 340A, 340B, 340, 3500, 3550, 420, 445, 445A, 450, 455, 4110LCG, 4400, 4500, 515, 530A, 531, 532, 535, 540, 540A, 540B, 545, 545A, 550, 555, 555A, 555B
2	<b>S.06310</b> Muffler & Pipe Assembly - Vertical (A=41 1/2", B=13 1/2", C=15 1/2", D=12 1/2")	DHPN5230A D0NN5B255C	2000, 3000, (4000 except Rowcrop), Ind. 2110LCG, (3400, 3500, 3550 4110LCG, 4400, 4500 except w/ 4 Post Roll Bar)
3	<b>S.08533</b> Muffler - Vertical (A=49", B=4", C=27", D=18", 1 15/16" Inlet, 2" Outlet) NOTE: Recommended for Cab Tractors	D6NN5230B	4000, 4100, 4600, 2910, 3610, 3910, 4110, 4610, Ind. 345C, 345D, 445C, 445D, 4400, 4500, 515, 531, 535, 5445, (545A->2/87)
4	<b>S.14520</b> Muffler - Vertical (A=42", B=7", C=27", D=8", 1 15/16" Inlet, 2" Outlet)	E4NN5230GB	Same as Above
4	<b>S.14518</b> Muffler - Vertical (A=49 1/2", B=6 1/2", C=15", D=28")	E4NN5230FA	2000, 3000, 2600, 3600, (2610, 3610 Gas), Ind. (230A Gas), 231, 2110LCG, 3400, 3500, 335, 340, 420, 445, 540, 540A, (540B->2/87)
5	<b>S.57049</b> Muffler - Horizontal Exhaust	44905942	3830 Orchard
6	<b>S.05037</b> Muffler - Vertical Exhaust	5103482	3830 Orchard
7	<b>S.05034</b> Pipe - Extension	44905154	3830 Orchard
8	<b>S.62420</b> Clamp Kit - Extension Pipe to Muffler	5116793	3830 Orchard