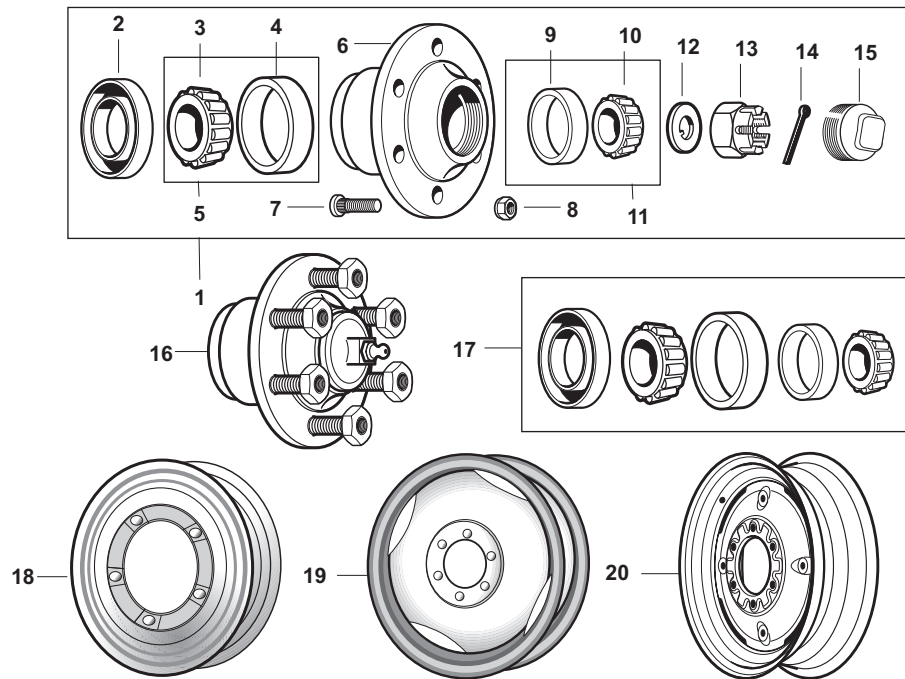


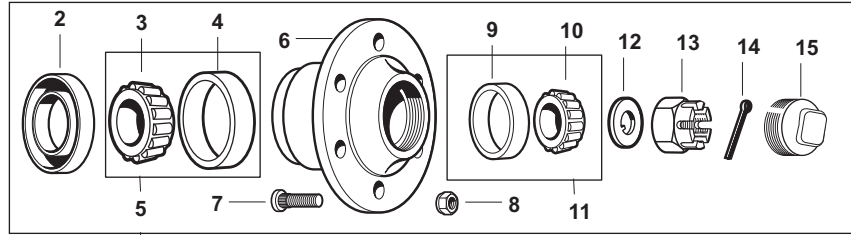
# F2

## Front Hubs, Rims and Related Components

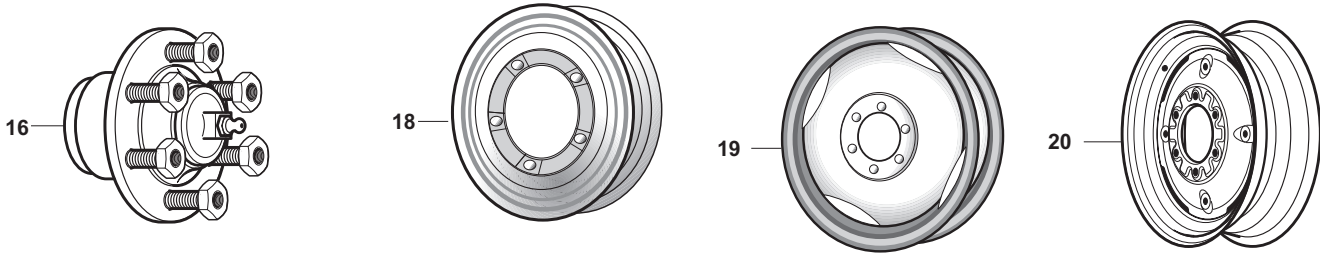
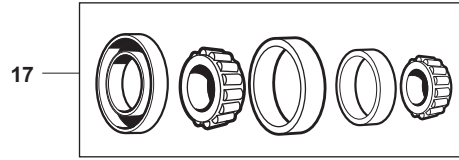


Our #	DESCRIPTION	EQUIVALENT	TRACTOR MODEL
1	<b>R66898</b> Front Hub Kit (Includes 2-11)		<b>8N, NAA, Jubilee</b>
2	<b>R60773</b> Seal	NCA1190A	<b>(9N, 2N, 8N, NAA, Jubilee, 600, 700, 800, 900, 601, 701, 801, 901, 2000, 4000 w/ Standard Duty Front End)</b>
2	<b>R04791</b> Seal	957E1190A	<b>Dexta, Super Dexta</b>
2	<b>R04233</b> Seal	310195	<b>651, 661, 851, 861, (1801 1958-&gt;), 2000, 4000 (Heavy Duty Front End)</b>
2	<b>R65774</b> Seal	E27N1190B 1193	<b>Fordson Major, Power Major, Super Major</b>
3	<b>R20539</b> Cone & Roller	B1201	<b>9N, 8N, 2N, NAA, Jubilee</b>
4	<b>R20540</b> Cup	B1202	<b>9N, 8N, 2N, NAA, Jubilee</b>
5	<b>R02967</b> Inner Bearing & Cup (Brg #15123/15245)	8A1201B 8A1202A	<b>(600, 700, 800, 900 -&gt;SN 137817)</b>
5	<b>R02975</b> Inner Bearing & Cup (Brg #LM67010/LM67048)	D5NN1201A D5NN1202A	<b>(600, 700, 800, 900 SN 137818-&gt;), 601, 701, 801, 901, 2000, 4000 Dexta, Super Dexta</b>
5	<b>R65775</b> Inner Bearing & Cup (Brg #352/355x)	E27N1201 E27N1202A	<b>Fordson Major, Fordson Power Major, Super Major</b>
6	<b>R60466</b> Front Hub (BARE)	D5NN1104A	<b>8N, NAA, Jubilee</b>
7	<b>R04948</b> Wheel Stud	C5NN1107F	<b>8N, NAA, Jubilee, 600, 700, 800, 900, 601, 701, 801, 901, 2000, 4000</b>
8	<b>R05938</b> Wheel Nut	C5NN1012B	<b>8N, NAA, Jubilee, 600, 700, 800, 900, 601, 701, 801, 901, 2000, 4000</b>
9	<b>R20542</b> Cup	B1217	<b>9N, 8N, 2N, NAA, Jubilee</b>
10	<b>R20541</b> Cone & Roller	B1216	<b>9N, 8N, 2N, NAA, Jubilee</b>
11	<b>R02968</b> Outer Bearing & Cup (Brg #09067/09195)	8A1216A 8A1217A	<b>(600, 700, 800, 900 -&gt;SN 137817)</b>
11	<b>R02972</b> Outer Bearing & Cup (Brg #LM11910/LM11949)	D5NN1216A D5NN1217A	<b>(600, 700, 800, 900 SN 137818-&gt;), 601, 701, 801, 901, 2000, 4000 Dexta, Super Dexta</b>
11	<b>R65776</b> Outer Bearing & Cup (Brg #14118/14283)	N1216 N1217	<b>Fordson Major, Power Major, Super Major</b>
12	<b>R65090</b> Tab Washer	C5NN1N195A	<b>9N, 2N, 8N, NAA, Jubilee, 600, 700, 800, 900, 601, 701, 801, 901, 2000, 4000</b>
12	<b>R11222</b> Tab Washer	957E1195	<b>Dexta, Super Dexta</b>

# F2



## Front Hubs, Rims and Related Components

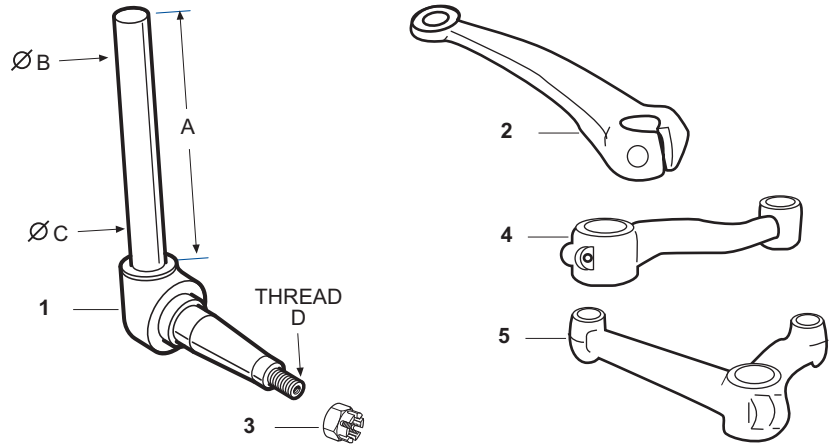


Our #	DESCRIPTION	EQUIVALENT	TRACTOR MODEL
13	<b>R40213</b> Castle Nut (3/4" x 16 UNF)	387930S36	<b>9N, 2N, 8N, NAA, Jubilee, 600, 700, 800, 900, 601, 701, 801, 901, 2000, 4000, Dexta, Super Dexta</b>
14	<b>R01501</b> Cotter Key (5/32" x 1 1/4")		
15	<b>R65132</b> Hub Cap - Pressed Steel	2N1139B	<b>9N, 2N, 8N, NAA, Jubilee, 600, 700, 800, 900, 601, 701, 801, 901, 2000, 4000, Dexta, Super Dexta</b>
16	<b>R65123</b> Front Hub (Includes Studs, Nuts & Cap)	C9NN1104F	<b>(600, 700, 800, 900 SN 137818-&gt;), 601, 701, 801, 901, 2000, 4000 Dexta, Super Dexta (Standard Duty Front End)</b>
16	<b>R65124</b> Front Hub (Includes Studs, Nuts & Cap)	C9NN1104E	<b>(601, 801, 2000, 4000 w/ HD Front End)</b>
17	<b>R20543</b> Wheel Bearing Kit	CBPN1200A	<b>9N, 2N, 8N, NAA, Jubilee</b>
17	<b>R66878</b> Wheel Bearing Kit	CBPN1200B	<b>(600, 700, 800, 900 -&gt;SN 137817)</b>
17	<b>R66879</b> Wheel Bearing Kit	CBPN1200C	<b>(601, 701, 801, 901, 2000, 4000 SN 137817-&gt; w/ Standard Front End)</b>
17	<b>R04792</b> Wheel Bearing Kit		<b>Dexta, Super Dexta</b>
17	<b>R65778</b> Wheel Bearing Kit		<b>Fordson, Major, Power Major, Super Major</b>
18	<b>R60503</b> Rim (3.00 x 19)	9N1015A	<b>9N, 2N</b>
19	<b>R60504</b> Rim (3.00 x 19)	C5NN1015A	<b>8N</b>
20	<b>R40286</b> Front Rim (4.50 x 16)	E6NN1007LA	<b>8N, NAA, Jubilee, 600, 700, 800, 900, 601, 701, 801, 901, 2000, 4000</b>
20	<b>R40287</b> Front Rim (5.50 x 16)	E6NN1007BA	<b>Fordson Major, Power Major, Super Major, 600, 800, 601, 801, 2000, 4000</b>

**[ricksagriparts@gmail.com](mailto:ricksagriparts@gmail.com)**

# F2

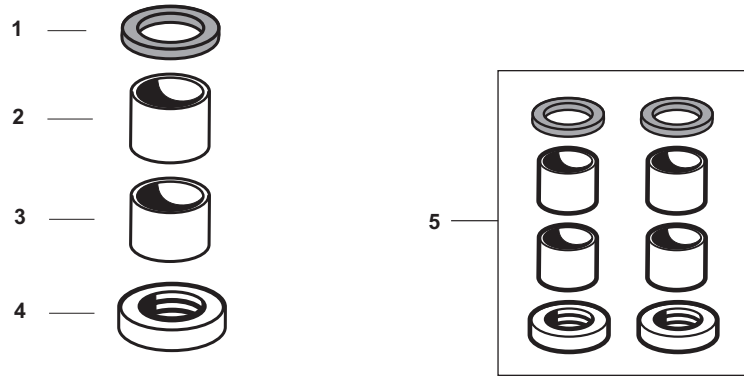
## Wheel Spindles and Related Parts



Our #	DESCRIPTION	EQUIVALENT	TRACTOR MODEL
1	<b>R61380</b> Spindle - LH/RH (No Keyway - Tapered pin)	9N3105	(9N Early with Tapered Locking Pin)
1	<b>R16002</b> Spindle - LH (A=11.03", B=1.25", C=1.25", D=.75")	86508994 2N3106	9N, 2N
1	<b>R16003</b> Spindle - RH (A=11.03", B=1.25", C=1.25", D=.75")	86508993 2N3105	9N, 2N
1	<b>R16006</b> Spindle - LH (A=10.69", B=1.25", C=1.25", D=.75")	F3NN3106AA 8N3106B	8N, NAA, Jubilee
1	<b>R16007</b> Spindle - RH (A=10.69", B=1.25", C=1.25", D=.75")	F3NN3105AA 8N3105B	8N, NAA, Jubilee
1	<b>R16004</b> Spindle - LH (A=10.75", B=1.25", C=1.5", D=.75")	F2NN3106BA NCA3106B	600, 800, 601, 801, 2000, 4000, Dexta, Super Dexta (Standard Duty Front End)
1	<b>R16005</b> Spindle - RH (A=10.75", B=1.25", C=1.5", D=.75")	F2NN3105BA NCA3105B	600, 800, 601, 801, 2000, 4000, Dexta, Super Dexta (Standard Duty Front End)
1	<b>R65750</b> Spindle - LH (A=7.5", B=1.5", C=1.5", D=.87")	E1ADKN3108	Fordson Major, Power Major, Super Major
1	<b>R65749</b> Spindle - RH (A=7.5", B=1.5", C=1.5", D=.87")	E1ADKN3107	Fordson Major, Power Major, Super Major
1	<b>R65753</b> Spindle - LH (Hardened) (A=7.75", B=1.23", C=1.34", D=.75")	F2NN3106CA C1NN3106A	( 2110, 4110 LCG 1961-1964)
1	<b>R65754</b> Spindle - RH (Hardened) (A=7.75", B=1.23", C=1.34", D=.75")	F2NN3105CA C1NN3105A	(2110, 4110 LCG 1961-1964)
2	<b>R61832</b> Spindle Arm	310799	(8N SN 451958->), NAA, Jubilee, 600, 800, 601, 801, 2000, 4000, Dexta, Super Dexta
3	<b>R40213</b> Castle Nut (3/4" x 16 UNF)	387930S36	9N, 2N, 8N, NAA, Jubilee, 600, 700, 800, 900, 601, 701, 801, 901, 2000, 4000, Dexta, Super Dexta
4	<b>R61474</b> Steering Arm - RH	E1ADKN3132	Fordson Major, Power Major, Super Major
5	<b>R61473</b> Steering Arm - LH	E1ADKN3133B	Fordson Major, Power Major, Super Major



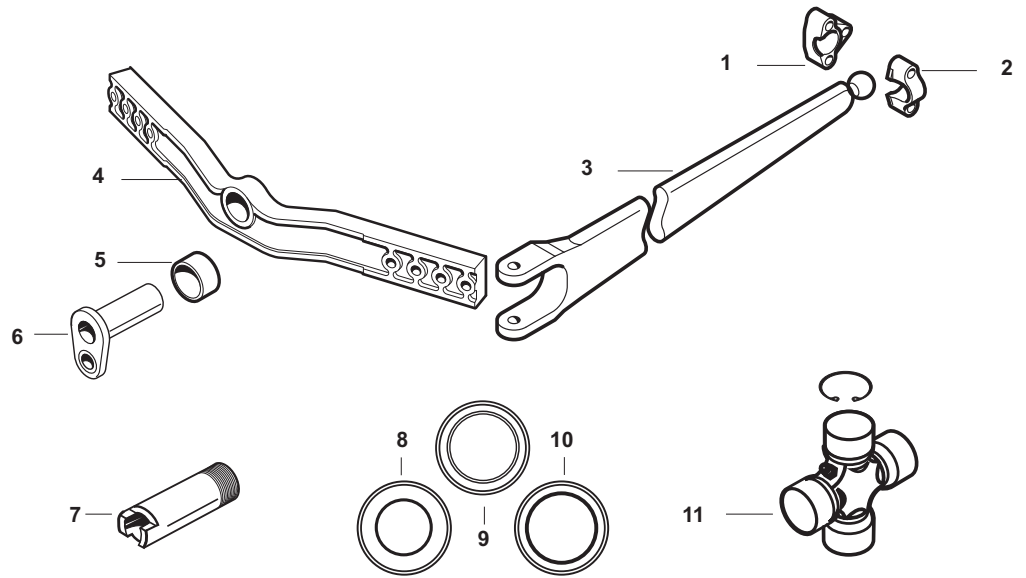
## Spindle Bushings and Repair Parts



Our #	DESCRIPTION	EQUIVALENT	TRACTOR MODEL
1	<b>R65140</b> Upper Spindle Seal	C5NN3125A	<b>8N, NAA, Jubilee, 600, 800, 601, 801, 2000, 4000</b>
1	<b>R65139</b> Upper Spindle Seal	957E3121A	<b>Dexta, Super Dexta</b>
1	<b>R65738</b> Upper Spindle Seal	E1ADDN3121	<b>Fordson Major, Power Major, Super Major</b>
2	<b>R65116</b> Spindle Bushing - Top	2N3109	<b>(9N, 2N, 8N, NAA, Jubilee, 600, 800, 601, 801, 2000, 4000, Dexta, Super Dexta Standard Front End Only)</b>
2	<b>R65739</b> Spindle Bushing - Top	C5NN3N654B	<b>Fordson Major, Power Major, Super Major</b>
3	<b>R65116</b> Spindle Bushing - Bottom	2N3109	<b>9N, 2N, 8N, NAA, Jubilee</b>
3	<b>R65117</b> Spindle Bushing - Bottom	NCA3110A	<b>(600, 800, 601, 801, 2000, 4000, Dexta, Super Dexta Standard Front End Only)</b>
3	<b>R65739</b> Spindle Bushing - Bottom	C5NN3N654B	<b>Fordson Major, Power Major, Super Major</b>
4	<b>R65120</b> Thrust Bearing	C0NN3123B	<b>(9N, 2N, 8N, NAA, Jubilee, 600, 800, 601, 801, 2000, 4000, Dexta, Super Dexta Standard Duty Front End)</b>
4	<b>R65121</b> Thrust Bearing	C5NN3A299A	<b>(601, 801, 2000, 4000 Heavy Duty Front End)</b>
4	<b>R65122</b> Thrust Bearing	C0NN3A299A	<b>(2000, 4000 Ind. 1961-&gt;)</b>
4	<b>R65740</b> Thrust Bearing	E27N3123B	<b>Fordson Major, Power Major, Super Major</b>
5	<b>R65986</b> Spindle Repair Kit (Will fix both spindles)		<b>9N, 2N, 8N, NAA, Jubilee</b>
5	<b>R65107</b> Spindle Repair Kit (Will fix both spindles)		<b>(600, 800, 601, 801, 2000, 4000 Standard Front End)</b>
5	<b>R65106</b> Spindle Repair Kit (Will fix both spindles)		<b>Dexta, Super Dexta</b>
5	<b>R65737</b> Spindle Repair Kit (Will fix both spindles)		<b>Fordson Major, Power Major, Super Major</b>

# F2

## Front Axle and Related Parts (4 Wheel Drive, Super 4,6)

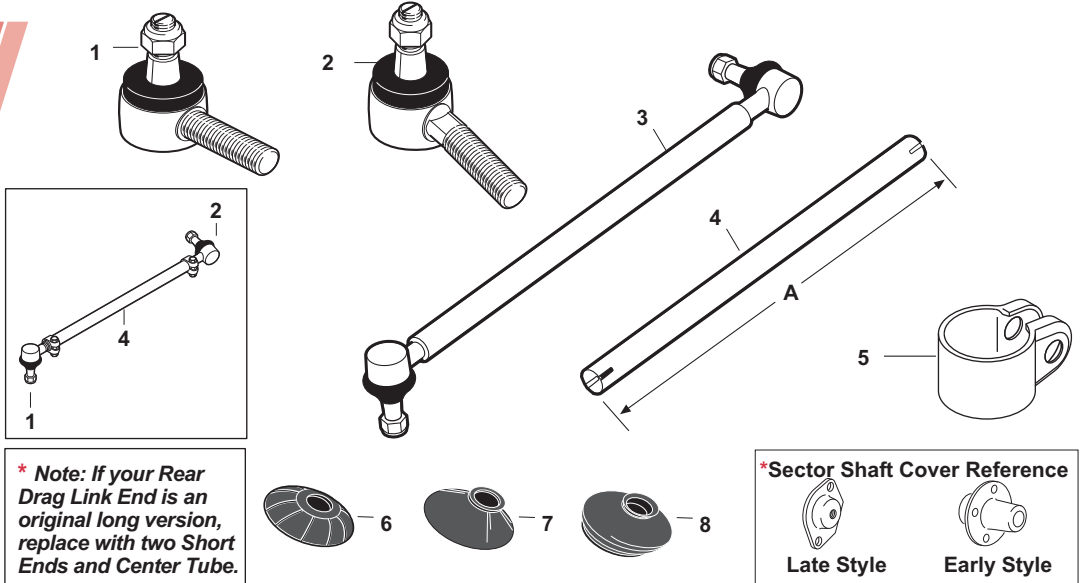


Our #	DESCRIPTION	EQUIVALENT	TRACTOR MODEL
1	R60458 Radius Rod Socket	E0NN3N442BA	9N, 2N, 8N, NAA, Jubilee, 600, 800, 601, 801, 2000, 4000, Dexta, Super Dexta
2	R60459 Radius Rod Cap	E0NN3N406BA	8N, NAA, Jubilee, 600, 800, 601, 801, 2000, 4000, Dexta, Super Dexta
3	R60484 Radius Rod (Manual or Power Steering)	310034/ 310035	NAA, Jubilee, 600, 800, 601, 801, 2000, 4000
4	R66863 Center Axle	D9NN3010EA NAA3010B2	9N, 2N, 8N, NAA, Jubilee, 600, 800, 601, 801, 2000, 4000, Dexta, Super Dexta (Standard Front End)
5	R42621 Center Axle Bushing	2N3039	9N, 2N, 8N, NAA, Jubilee, 600, 800, (601, 801, 2000, 4000 Standard Front End)
6	R61141 Axle Pin	NAA3126B	9N, 2N, 8N, NAA, Jubilee
7	R61138 Axle Pin - Threaded	NCA3127A	(600, 800, 601, 801, 2000, 4000 Standard Front End)
8	R65693 Front Axle Seal - 4 WD	CFT19202	Super 4, Super 5
9	R65692 Front Axle Seal - 4 WD	CFT19223	Super 4, Super 6
10	R65694 Front Axle Seal - 4 WD	CFT19205	Super 4, Super 6
11	R65170 Universal Kit (4.52" x 1.55")	CFT23704	Super 4, Super 6

[ricksagriparts@gmail.com](mailto:ricksagriparts@gmail.com)

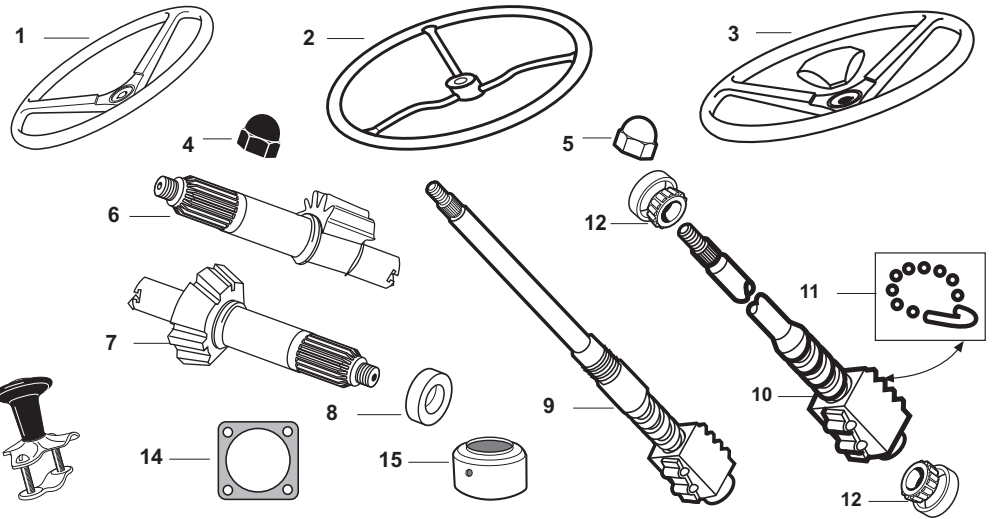
# F2

## Drag Links



Our #	DESCRIPTION	EQUIVALENT	TRACTOR MODEL
1	<b>R40163</b> Front Drag Link End (11/16" UNF - RH Threads)	9N3270B	(9N, 2N If used with original 1 piece Drag Link)
1	<b>R65044</b> Front Drag Link End (11/16" UNF - LH Threads)	957E3290B	(9N, 2N, 8N, Used with New Style 3 piece Drag Link), <b>NAA, Jubilee, 600, 800, 601, 801, 2000, 4000, Dexta, Super Dexta</b> (Manual Steering)
1	<b>R61137</b> Front Drag Link End (3/4" UNF - LH Threads)	309523	(600, 800, 601, 801 ->SN 78837 w/ Power Steering)
1	<b>R61139</b> Front Drag Link End (13/16" UNF - LH Threads)	309591	(601, 801, 2000, 4000 SN 78837-> w/ Power Steering)
1	<b>R66003</b> Front Drag Link End (1" UNF - LH Threads)	E3NN3308BA	(4000 H.D. Industrial 1/1963-1964)
2*	<b>R61119</b> Rear Drag Link End (11/16" UNF - RH Threads)	NAA33271A	(9N, 2N, 8N, Used with New Style 3 piece Drag Link), <b>NAA, Jubilee, 600, 800, 601, 801, 2000, 4000</b> (Manual Steering)
2	<b>R65050</b> Rear Drag Link End (11/16" UNF - RH Threads)	957E3307B	<b>Dexta, Super Dexta</b>
3	<b>R65041</b> Drag Link Assembly	E1ADDN3304C	<b>Fordson Major, Power Major, Super Major</b>
4**	<b>R61413</b> Drag Link Tube (A = 34.5" Long) 1 end RH Thread, 1 end LH Thread	8N33315	<b>9N, 2N</b> , (RH for Early 8N), (LH for Late 8N), <b>Dexta, Super Dexta</b>
4**	<b>R61414</b> Drag Link Tube (A = 32.8" Long) 1 end RH Thread, 1 end LH Thread	8N3314D	(LH for Early 8N), (RH for Late 8N)
4	<b>R61411</b> Drag Link Tube - RH (A = 36.125" Long) 1 end RH Thread, 1 end LH Thread	NAA3314B	<b>NAA, Jubilee, 600, 800, 601, 801, 2000, 4000</b>
4	<b>R61412</b> Drag Link Tube - LH (A = 38.5" Long) 1 end RH Thread, 1 end LH Thread	NAA33315A	<b>NAA, Jubilee, 600, 800, 601, 801, 2000, 4000</b>
5	<b>R63372</b> Drag Link Tube Clamp (7/8")	8N3287	<b>9N, 2N, 8N, NAA, Jubilee, 600, 800, 601, 801, 2000, 4000</b>
5	<b>R63373</b> Drag Link Tube Clamp (1 1/16")		
5	<b>R63374</b> Drag Link Tube Clamp (1 3/16")		
6	<b>R40191</b> Universal Tie Rod Boots (1 13/16" x 5/8" x 5/8")		
7	<b>R40192</b> Universal Tie Rod Boots (1 15/16" x 3/4" x 3/4")		
8	<b>R40193</b> Universal Tie Rod Boots (1 3/8" x 1" x 1/2")		

# F2



## Steering Box and Related Components (Double Arm)

**\*Sector Shaft Cover Reference**



Late Style

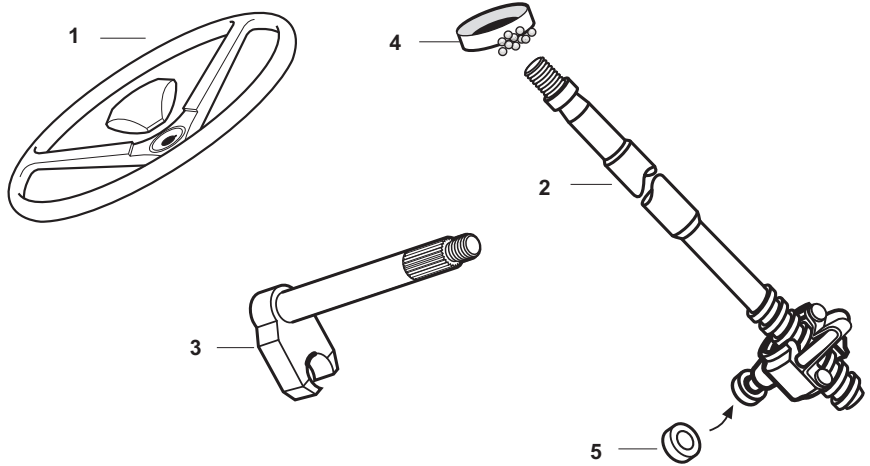


Early Style

**\*\*If Sectors do NOT have 5 & 7 teeth, must be replaced as pair**

Our #	DESCRIPTION	EQUIVALENT	TRACTOR MODEL
1	<b>R41486</b> Steering Wheel - Keyed (Economy) Plastic	E0NN3600AA	<b>9N, 2N</b>
1	<b>R60739</b> Steering Wheel - 36 Splines (Economy) Plastic	D6NN3600	<b>8N, NAA, Jubilee, 600, 700, 800, 900, 601, 701, 801, 901, 2000, 4000</b>
2	<b>R61373</b> Steering Wheel - Keyed (Steel Spokes)	E0NN3600AA	<b>9N, 2N</b>
2	<b>R61372</b> Steering Wheel - 36 Splines (Steel Spokes)	D6NN3600	<b>8N, NAA, Jubilee, 600, 700, 800, 900, 601, 701, 801, 901, 2000, 4000</b>
3	<b>R60636</b> Steering Wheel - 48 Splines (1 1/4")	957E3600	<b>Dexta, Super Dexta</b>
4	<b>R43044</b> Steering Wheel Nut - Black (5/8" UNF)	351103S8	<b>9N, 2N</b>
4	<b>R61962</b> Steering Wheel Nut - Black	359295S7	<b>8N, NAA, Jubilee, 600, 700, 800, 900, 601, 701, 801, 901, 2000, 4000</b>
5	<b>R40290</b> Steering Wheel Nut - Chrome (5/8" UNF)	351103S8	<b>9N, 2N</b>
5	<b>R61963</b> Steering Wheel Nut - Chrome	359295S7	<b>8N, NAA, Jubilee, 600, 700, 800, 900, 601, 701, 801, 901, 2000, 4000</b>
6*	<b>R61098</b> Sector Shaft (Single Gear) 5 Tooth**	251293	<b>8N (Late Style), NAA, Jubilee, 600, 800, 601, 801, 2000, 4000</b>
7*	<b>R61099</b> Sector Shaft (Double Gear) 7 Tooth**	251294	<b>8N (Late Style), NAA, Jubilee, 600, 800, 601, 801, 2000, 4000</b>
8*	<b>R65375</b> Felt Seal - Sector Shaft	8N3586	<b>8N (Late Style), NAA, Jubilee, 600, 800, 601, 801, 2000, 4000</b>
9	<b>R53163</b> Shaft & Nut Assy - Power Steering	310859	<b>600, 800, 601, 801, 2000, 4000</b>
10*	<b>R61417</b> Shaft and Nut Assembly (20 1/8")	8N3575A	<b>(8N Early Style Gear Box - 4 Bolts in Side Plate - See Picture)</b>
10*	<b>R61118</b> Shaft and Nut Assembly (20 1/8")	8N3575B	<b>(8N Late Style Gear Box - 2 Bolts in Adjuster Plate - See Picture)</b>
10	<b>R61111</b> Shaft and Nut Assembly (22 1/2")	NAA3575C	<b>NAA, Jubilee</b>
10	<b>R61116</b> Shaft and Nut Assembly (23 1/2")	NCA3575A	<b>600, 800, 601, 801, 2000, 4000 (Not Rowcrop Models - Manual Steering)</b>
11	<b>R61862</b> Ball and Bracket Kit		<b>Steering Shaft (R61118, R61111, R61116)</b>
12*	<b>R65160</b> Bearing and Cup Assembly	C5NN3N615A C5NN3552A	<b>8N (Late Style), NAA, Jubilee, 600, 800, 601, 801, 2000, 4000</b>
13	<b>R60918</b> Black Ball Bearing Wheel Spinner		<b>Most Standard Size Steering Wheels</b>
13	<b>R60919</b> Red Ball Bearing Wheel Spinner		<b>Most Standard Size Steering Wheels</b>
13	<b>R60920</b> Blue Ball Bearing Wheel Spinner		<b>Most Standard Size Steering Wheels</b>
13	<b>R52092</b> Aluminum Ball Bearing Wheel Spinner		<b>Most Standard Size Steering Wheels</b>
13	<b>R52091</b> Red Wooden Wheel Spinner		<b>Most Standard Size Steering Wheels</b>
14	<b>R61623</b> Shim Kit (2 x .005", 2 x .010", 2 x .020")		<b>8N (w/ 2 Bolt Adjuster Covers), NAA, Jubilee, 600, 601, 800, 801, 2000, 4000 (Manual Steering)</b>
15	<b>R66814</b> Steering Column Cover w/ Hole for Grease Fitting - Chrome	9N3669	<b>9N, 2N</b>
15	<b>R66815</b> Steering Column Cover w/ Hole for Grease Fitting - Painted	9N3669	<b>9N, 2N</b>

# F2



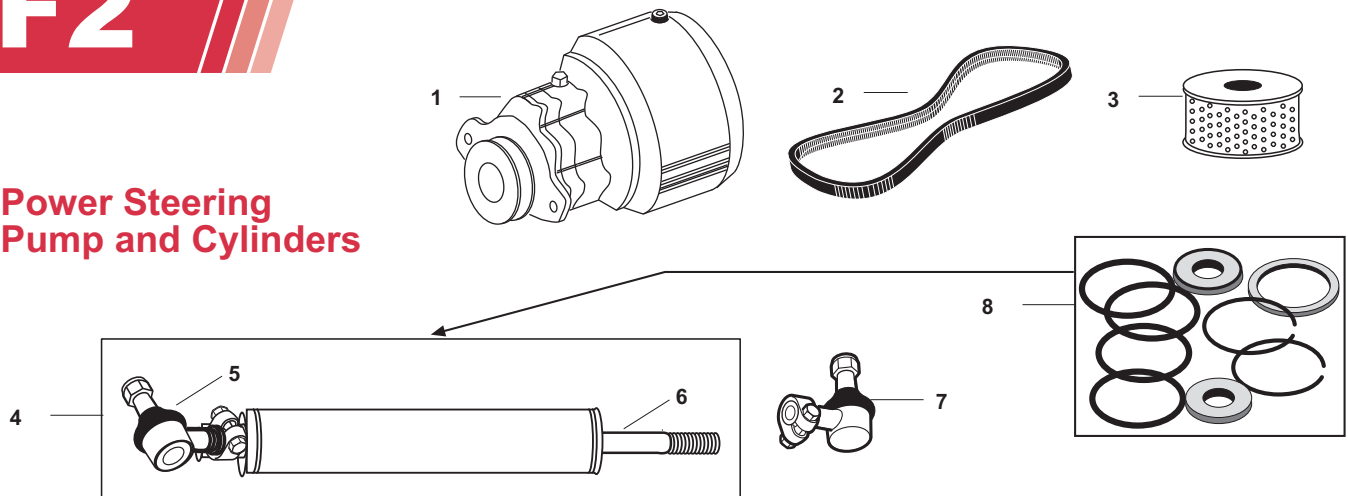
## Steering Box and Related Components (Single Arm, Fordson Major)

Our #	DESCRIPTION	EQUIVALENT	TRACTOR MODEL
1	<b>R66265</b> Steering Wheel w/ Cap 6 Splines	E1ADKN3600A	<b>Fordson Major, Power Major, Super Major</b>
2	<b>R66720</b> Steering Shaft (24" Long)	E1ADKN3524B	<b>Fordson Major, Power Major, (-&gt;8/58)</b>
2	<b>R66022</b> Steering Shaft (25 7/8" Long)	E1ADDN3524	<b>Fordson Power Major, Super Major (8/58-&gt;)</b>
3	<b>R66017</b> Rocker Shaft	C9NN3575C	<b>Fordson Major, Power Major, Super Major</b>
4	<b>R65162</b> Bearing - Upper & Lower	E1ADKN3556 353075S	<b>Fordson Major, Power Major, Super Major</b>
5	<b>R65164</b> Main Nut Roller	DKN3572	<b>Fordson Major, Power Major, Super Major</b>



# F2

## Power Steering Pump and Cylinders



**Note: Do not mix rod sizes on tractor.**

Our #	DESCRIPTION	EQUIVALENT	TRACTOR MODEL
1	<b>R61085</b> Power Steering Pump w/ Belt (Gas)	C3NN3A691B	<b>601, 701, 801, 901, 2000, 4000</b>
2	<b>R11175</b> Belt (1/2 x 46 1/2")		Fits R60185
2	<b>R18722</b> Power Steering Belt	EAf8577A	<b>601, 701, 801, 901, 2000, 4000,</b> w/ original Ford Pump with reservoir on top of pump
3	<b>R60304</b> Power Steering Pump Filter	AE33538A	<b>700, 900, 601, 701, 801, 901, 2000, 4000, Fordson Major, Power Major, Super Major - w/</b> original Ford Pump with reservoir on top of pump
4	<b>R60656</b> Power Steering Cylinder - R/L (1/2" Rod - 7/16" Thread)	E2NN3A540BA E2NN3D547AA	<b>601, 801, 2000, 4000</b>
4	<b>R60419</b> Power Steering Cylinder - R/L (5/8" Rod - 7/16" Thread)	E2NN3A540BA E2NN3D547AA	<b>601, 801, 2000, 4000</b>
4	<b>R60658</b> Power Steering Cylinder - R/L (5/8" Rod - 1/2" Thread)	C5NN3A739G	<b>2000, 4000</b> Industrial Models
5	<b>R61345</b> Power Steering Cylinder End (Can End)		Fits R60656 and R60658
6	<b>R60642</b> Power Steering Cylinder Rod (1/2" Diameter Rod)		Fits R60656
7	<b>R60659</b> Power Steering Cylinder End (Rod End)	CAPN3300A	<b>2000, 4000</b> Industrial Models
8	<b>R60666</b> Cylinder Repair Kit		Repairs Cylinder R60656
8	<b>R60668</b> Cylinder Repair Kit		Repairs Cylinders R60658, R60419

[ricksagriparts@gmail.com](mailto:ricksagriparts@gmail.com)