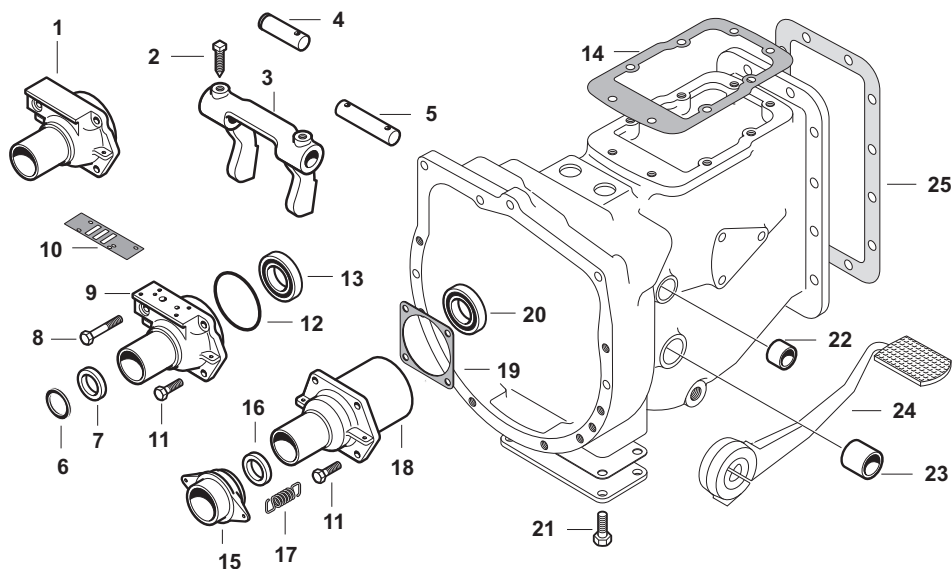


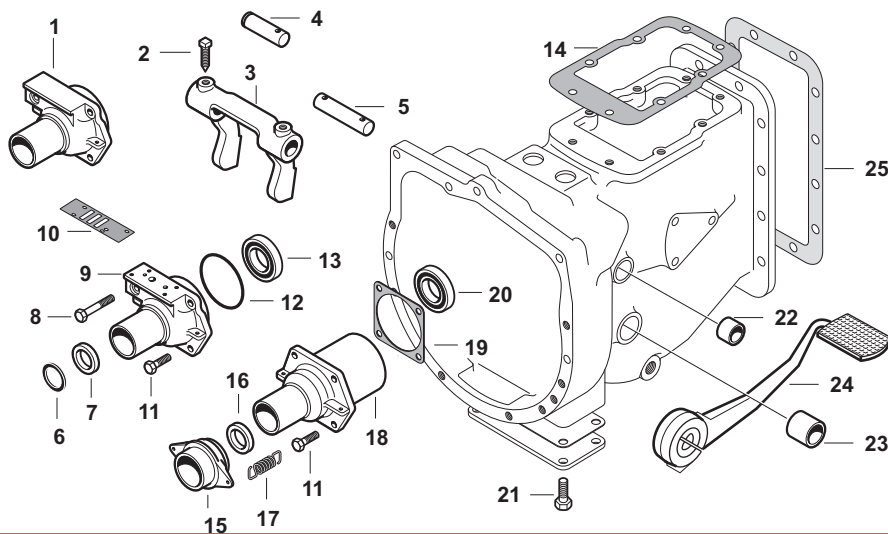
Clutch Housing and Related Components



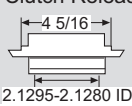
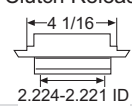
OUR #	DESCRIPTION	EQUIVALENT	TRACTOR MODEL
1	R40789 Input Housing - Non-multipower 8 Speed, 12 Speed Synchro	1860890M91 1693833M92	MF 135, 135UK, 150, 165, 165UK, 175, 231, 235, 240, 245, 250, 253, 255, 261, 265, 270, 275, 282, 283, 283UK, 283 Brazil, 360, 362, 375, 383, 390, 390T, 393, 396, 398, 399, Ind. 20, 20D, 20F, 30E, 30H, 40E, 50C, 50E
2	R41557 Set Bolt - Drilled Head (3/8" UNF)	881144M1 180002M1	MF Most Models
3	R41964 Fork - Clutch Release	886719M1	MF 35 Deluxe, 35 Multipower, 135 (>SN 9A105179, 8 Speed), 135UK, 165UK, 175UK, 178, 230 (6 Speed), 231, 235, 240, 245, 250, 253, 255, 261, 265, 270, 275, 282, 283, 283UK, 283 Brazil, 290, 298, Ind. 20C (not manual shuttle), 20D (8 Speed), 20E, 20F, 30E, 40B (8 Speed), 40E, 50, 50A, 50C, 50D (8 Speed), 50E, 50F, 50H (8 Speed), 60H (8 Speed)
4	R41857 Shaft - Clutch Fork - RH (1" x 3 19/32")	180449M1	Same as Above
5	R41858 Shaft - Clutch Fork - LH (1" x 5 17/32")	180444M1 1679460M1	Same as Above
6	R40742 Seal - Input Shaft Housing (41 x 49 x 6 mm)	1860867M5	MF 135 (Late Production 8 Speed & Multipower), 150, (165, 175, 180 8 Speed & Multipower), 231, (235, 240, 245, 250 8 Speed & Multipower) 253 (6 Speed), (255, 261, 265, 270, 275, 282, 283, 285, 290, 298, 360, 362, 375, 383, 385, 390, 390T, 393, 396, 398, 399, 670, 690, 698, 699, 1080, 1085, 8 Speed, 12 Speed & Multipower), Ind. 20, 20C, 20D, 20E, 20F, 30, 30B, 30D, 30E, 30H, 31, 40, 40B, 40E, 50C, 50D, 50E
7	R40745 Needle Bearing	886668M1	Same as Above
8	R53761 Bolt (3/8" x 2 UNC)	345265X1	
8	R53792 Bolt (3/8" x 1 1/2 UNF)	377480X1	
9	R60019 Housing - Input Shaft, Multipower NOTE: If replacing old style Housing with Bushing; Seal R40742, Bearing R40745 and Throw Out Bearing Carrier R40738 must be used also	1860889M91	MF 35, 50, 65, 135, 150, 165, 175, 180, 1080, 1085, 235, 245, 255, 265, 270, 275, 285, 290, 298, 670, 690, 698, Ind. 30
10	R61853 Gasket - Valve Body	512787M2	Same as Above
11	R08799 Bolt (3/8" x 7/8" UNC)	353690X1	
11	R08766 Bolt (3/8" x 7/8" UNF)	377477X1	
12	R41331 O-Ring - Input Housing (4" x 5/64")	886089M1	MF 135 (Late Production 8 Speed & Multipower), 150, (165, 175, 180 8 Speed & Multipower), 231, (235, 240, 245, 250 8 Speed & Multipower) 253 (6 Speed), (255, 261, 265, 270, 275, 282, 283, 285, 290, 298, 360, 362, 375, 383, 385, 390, 390T, 393, 396, 398, 399, 670, 690, 698, 699, 1080, 1085, 8 Speed, 12 Speed & Multipower), Ind. 20, 20C, 20D, 20E, 20F, 30, 30B, 30D, 30E, 30H, 31, 40, 40B, 40E, 50C, 50D, 50E
13	R40773 Bearing - Input Housing (#6210ZZ) (50 x 90 x 20mm)	833646M1 GK2151	MF 35, 50, 65, 135, 150, 165, 175, 180, 231, 235, 240, 245, 250, 255, 261, 265, 270, 275, 282, 283, 290, 298, 360, 362, 375, 383, 390, 390T, 398, 399, Ind. 20, 20C, 20D, 20F, 30, 31, 50C, 50D (w/ 8 Speed or Multipower)

We have attempted to insure the accuracy of the information listed and reserve the right for type error.

Some part numbers and manufactures' names are used strictly for reference purpose only
Any prices listed are subject to change without notice and are in U.S. dollars. Not all items are stocking items.

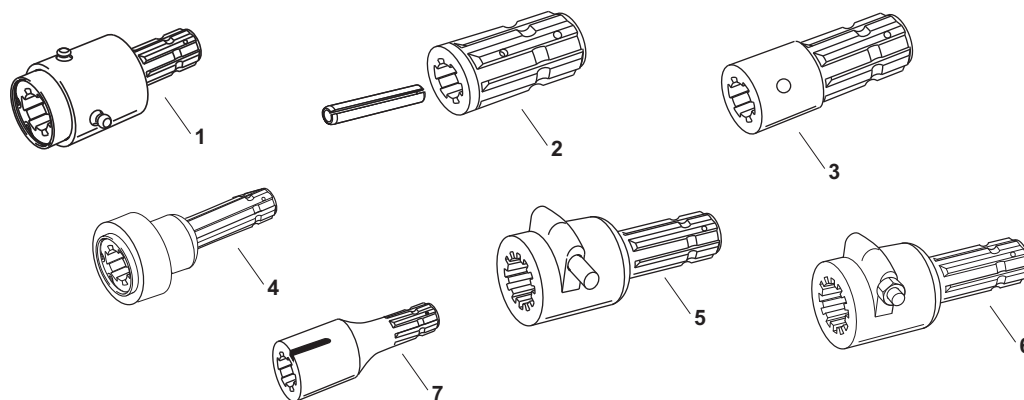


Clutch Housing and Related Components

OUR #	DESCRIPTION	EQUIVALENT	TRACTOR MODEL
14	R41352 Gasket	180511M2 520307M1	MF 35, 35UK, 50, 65, 135UK, 135, 150, 165, 165UK, 175, 175UK, 178, 180, 230, 231, 235, 245, 255, 261, 265, 282, 285, 1080, 1085, Ind. 20, 20C, 30, 30B, 31, 40, 40B, 50, 50A, 50C, 50D, 2135
15	R40737 Carrier - Clutch Release Bearing 	183129M2	MF 35, 135UK (w/ Standard Motor & Single Clutch), 50, 65, (135 6 or 8 Speed, Live PTO or Single Clutch), (135UK, 150 6 Speed), 165 (Live PTO), (165UK 6 Speed), (175UK, 178 Not Multipower), (180 6 Speed, Live PTO), Ind. 20, (30, 31 6 Speed), 35 Turf & Utility, (40 Manual Shuttle)
15	R40738 Carrier - Clutch Release Bearing 	886727M2	MF 35UK, 150, 175, (175UK, 178 w/ Dual Clutch), 135, 135UK, 165, 165UK, 180, 230, 231, 235, 240, 245, 250, 255, 261, 265, 270, 275, 282, 283, 290, 298, 360, (399 w/ 6.354), 670, 690, 698, 699, Ind. 20, 20C, 20D, 20E, 20F, 30, 30B, 30D, 30E, 30H, 31, 40, 40B, 40E, 50E, 50F, 50H (Live PTO or Multipower)
16	R41749 Seal - Input Housing (2" x 1.54" x .28")	886673M1	MF 135UK, 165UK, (165, 175, 180 Multipower) (w/ Early Housings 886720M91, 964903M91, 1885502M91) - Check Dimensions
16	R40743 Seal - Input Housing (2 1/16" x 1 5/8" x 9/16")	882296M1 192329M2	MF 135UK, 150, 165, 180 Multipower, (w/ Early Housings 884794M91, 1885502M91, 884479M91), 135, 175 - Check Dimensions
16	R40741 Seal - Input Housing (1 3/4" x 2 1/4" x 1/4")	195503M1	MF 35, 35UK, 50, 65, 135, 135UK, 150, 165, 165UK, 175, 175UK, 178, 180, 230, 235, 240, 245, Ind. 20, 20C Turf, 30, 31, 35 Turf & Utility, 2135, 3165 (w/ Standard 6 Speed Trans) - Check Dimensions
17	R40739 Spring - Clutch Release Bearing (2 1/8" Overall Length)	1867690M2 509230M2	MF 135, 135UK, 150, 165, 175, 178, 180, 230, 231, 235, 240, 245, 250, 253, 255, 261, 265, 270, 275, 282, 283, 283UK, 285, 290, 298, 360, 362, 375, 383, 390, 390T, 393, 396, 398, 399, 670, 690, 698, 699, 1080, 1085, Ind. 20C, 20D, 20E, 20F, 30, 30B, 30D, 30E, 30H, 40B, 40E, 50C, 50D, 50E, 50F, 50H, 60H, 3165
18	R41870 Housing - Input Shaft	1867223M1	MF 135 (6 Speed Trans, SN 9A159958>), 135UK (Diesel w/ Single or Dual Clutch >SN 121069), (165UK, 230, 235 6 Speed), (240 (6 Speed SN 522354-A20286), 245 (6 Speed), Ind. 20 (6 Speed SN 9A159958>), 20C (6 Speed Turf), 31 (6 Speed), 50F
19	R41332 Gasket	180434M1	Fits Ref # 1-9-18 R41870, R40789, R60019
20	R40744 Bearing - Input Housing (50 x 80 x 16mm)	195494M1	MF 35, 50, 65, 135, 135UK, 150, 165, 165UK, 175, 175UK, 178, 180, 230, 235, 245, Ind. 20, 20C Turf, 30, 31, 35 Turf & Utility, 2135, 3165 (All w/ 6 Speed Standard Trans)
21	R08944 Bolt (5/8" x 1 1/4" UNC)	353901X1	
21	R08943 Bolt (5/8" x 1" UNC)	354441X1	
22	R40740 Bushing - Clutch Fork Shaft (1" x 1 1/16" x 3/4")	184592M1	MF 35 Deluxe, 35 Multipower, 135 (>SN 9A105179, 8 Speed), 135UK, 165UK, 175UK, 178, 230 (6 Speed), 231, 235, 240, 245, 250, 253, 255, 261, 265, 270, 275, 282, 283, 283UK, 283 Brazil, 290, 298, Ind. 20C (not manual shuttle), 20D (8 Speed), 20E, 20F, 30E, 40B (8 Speed), 40E, 50, 50A, 50C, 50D (8 Speed), 50E, 50F, 50H (8 Speed), 60H (8 Speed) - Check Dimensions
23	R41741 Bushing - Brake Shaft (1 3/8" x 1 1/2" x 1 7/16")	180801M1	Same as Above
24	R42584 Clutch Pedal	1861169M1	MF 135UK, 240, 250, 253, Ind. 20D, 20F, 30E, 40A
25	R40814 Gasket -Trans to Rear Axle Housing (10.75" x 16.132")	1861986M2 3599804M2	MF 35, 35UK, 50, 65, 135UK, 135, 150, 165, 165UK, 175, 175UK, 178, 180, 230, 231, 235, 245, 255, 261, 265, 282, 285, 1080, Ind. 20, 20C, 30, 30B, 31, 40, 40B, 50, 50A, 50C, 50D, 2135

We have attempted to insure the accuracy of the information listed and reserve the right for type error.

Some part numbers and manufactures' names are used strictly for reference purpose only
Any prices listed are subject to change without notice and are in U.S. dollars. Not all items are stocking items.



PTO Adaptors

OUR #	DESCRIPTION	EQUIVALENT	TRACTOR MODEL
1	R15451 PTO Over-Running Coupler (1 1/8" - 6 x 1 3/8" - 6)		
1	R13376 PTO Over-Running Coupler (1 1/8" - 6 x 1 1/8" - 6)		
1	R13375 PTO Over-Running Coupler (1 3/8" - 6 x 1 1/8" - 6)		
1	R15514 PTO Over-Running Coupler (1 3/8" - 6 x 1 3/8" - 6)		
2	R00253 Sleeve Increaser w/ Roll Pin (1 1/8" - 6 x 1 3/8" - 6) (3 3/16" Long)		
3	R00252 PTO Increaser - HD (1 1/8" - 6 x 1 3/8" - 6) (4 3/4" Long)		
4	R13377 Quick Disconnect Adaptor - Std (up to 75hp) (1 3/8 - 6 x 1 3/8" - 21)		
4	R13379 Quick Disconnect Adaptor - Std (up to 75hp) (1 3/8 - 21 x 1 3/8" - 21)		
5	R03737 Push Pin Adaptor - Std (up to 75 hp) (1 3/8 - 6 x 1 3/8" - 6)		
5	R03739 Push Pin Adaptor - Std (up to 75 hp) (1 3/8 - 21 x 1 3/8" - 6)		
5	R15901 Push Pin Adaptor - HD (up to 125 hp) (1 3/8 - 6 x 1 3/8" - 6)		
5	R15903 Push Pin Adaptor - HD (up to 125 hp) (1 3/8 - 6 x 1 3/8" - 21)		
5	R15865 Push Pin Adaptor - HD (up to 125 hp) (1 3/8 - 21 x 1 3/8" - 6)		
6	R03741 Bolt Type Adaptor - Std (up to 75hp) (1 3/8 - 6 x 1 3/8" - 6)		
6	R03742 Bolt Type Adaptor - Std (up to 75hp) (1 3/8 - 6 x 1 3/8" - 21)		
6	R03743 Bolt Type Adaptor - Std (up to 75hp) (1 3/8 - 21 x 1 3/8" - 6)		
6	R03744 Bolt Type Adaptor - Std (up to 75hp) (1 3/8 - 21 x 1 3/8" - 21)		
6	R13373 Bolt Type Adaptor - Std (up to 75hp) (1 3/4 - 20 x 1 3/8" - 6)		
6	R15902 Bolt Type Adaptor - HD (up to 125hp) (1 3/8 - 6 x 1 3/8" - 6)		
6	R15904 Bolt Type Adaptor - HD (up to 125hp) (1 3/8 - 6 x 1 3/8" - 21)		
6	R13381 Bolt Type Adaptor - HD (up to 125hp) (1 3/8 - 21 x 1 3/8" - 6)		
6	R16250 Bolt Type Adaptor - HD (up to 125hp) (1 3/4 - 20 x 1 3/8" - 21)		
6	R16251 Bolt Type Adaptor - HD (up to 125hp) (1 3/4 - 20 x 1 3/8" - 6)		
7	R13374 Clamp-on Adaptor - Std (up to 75hp) w/ 2 Allen Head Clamp Bolts (1 3/4 - 20 x 1 3/8" - 6)		
7	R13372 Clamp-on Adaptor - Std (up to 75hp) w/ 2 Allen Head Clamp Bolts (1 3/4 - 20 x 1 3/8" - 21)		

We have attempted to insure the accuracy of the information listed and reserve the right for type error.

Some part numbers and manufactures' names are used strictly for reference purpose only
Any prices listed are subject to change without notice and are in U.S. dollars. Not all items are stocking items.