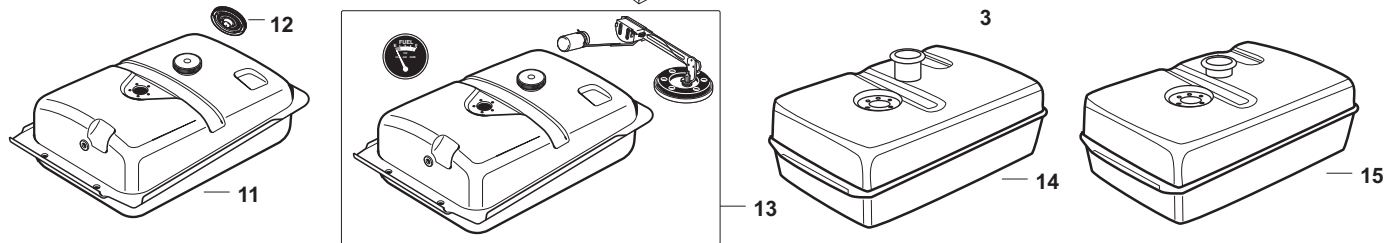


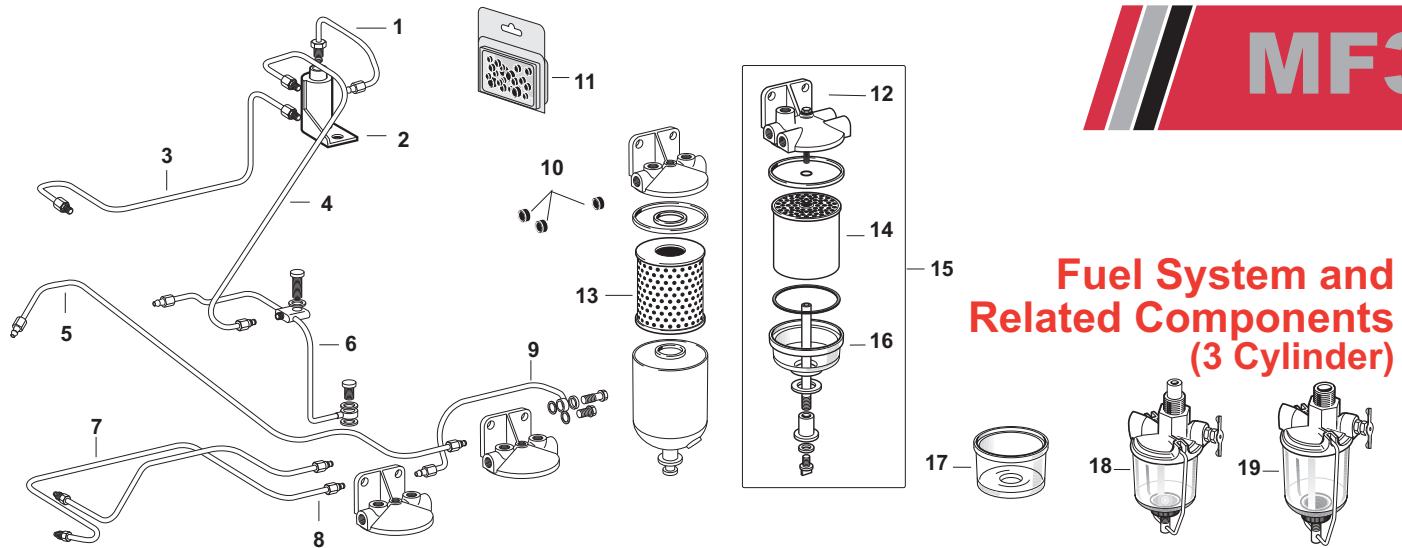
Fuel System and Related Components (3 Cylinder)



OUR #	DESCRIPTION	EQUIVALENT	TRACTOR MODEL
1	R40558 Lift Pump w/ Bowl & Gasket 2 Bolt Mount (A3.152, AD3.152)	3637288M91 885363M91 890960M91	MF 35UK, 35, 50, 135, 150, Ind. 203, 205, 2135, 35 Utility, (>Engine SN 152UA46497D)
2	R40559 Lift Pump w/ Gasket 2 Bolt Mount (AD3.152)	3637307M91 886062M91	MF (135, 150 Engine SN 152UA46497D>),154-4, 230, 235, 240, 245 >Engine 152U635849G) (Ind 20, 20C, 30B >Engine SN 152U635849G), (203, 205, 3135, Engine SN 152UA46497D>)
3	R41330 Lift Pump w/ Gasket 4 Bolt Mount (AD3.152)	3637292M91	MF (230 Engine SN U635849G>), 231, (240 w/ Engine CE3116, C31215), (245 Engine SN U635849G>), 253, 254-4, (Ind. 20C, 30B, w/ Engine U635849G>), 30D
4	R40566 Lift Pump Repair Kit	1896154M91	Fits: R40558
4	R40567 Lift Pump Repair Kit	1896434M91	Fits: R40559, R41330
5	R41390 Sediment Bowl - Glass	0995260	Fits: R40558
6	R40574 Fuel Tap	1851653M91	MF 35UK, 50 (>SN 530999)
7	R11193 Fuel Tap	898540M91	MF 135UK, 231, (240, 250 w/out Reserve Tank), 261, Ind. 20D, 20E, 20F, 30E, 30H, 40E
8	R42639 Fuel Tap	1694985M92	MF 240, 250 (w/ Reserve Fuel Tank), 253, 360, Ind. 20D (Late Production), 20F
9	R11196 Filter - Only		Fits: R40574, R11193
10	R41308 Fuel Line (15 7/8")	890322M92	MF 35UK, (135UK > Engine SN 152UA38571D)
10	R41307 Fuel Line (17 3/4")	883712M92	MF (135UK Engine SN 152UA38571D>), 231, 240, 250, Ind. 20D, 20E, 20F, 30E, 30H, 40E
11	R41748 Fuel Tank - less Cap	897401M92	MF 135UK Diesel, Ind. 40 (Tractor SN 9A6065-9A205691 Diesel/Gas)
12	R41520 Fuel Cap - Locks on Outside of Filler Neck	1876534M91 1698042M91 828583M91	MF 35 (Diesel Tractor SN 209079-233722), 35UK, 135 (Diesel), 135UK (Diesel/Gas), 231, 240, 250, Ind. 20 (Diesel Tractor SN 9A196065-9A196065), 20 (Gas Tractor SN 9A84538>), 20D, 20E, 20F, 30E, 30H, 40E, 40 (Tractor SN 9A196065-9A205691 Diesel/Gas)
13	R61052 Fuel Tank Kit (Gauge, Sender, Cap)	189468M93	MF 35 (Diesel), 135 (Diesel), 135UK (Diesel/Gas), Ind. 20, 40 (Except Tractor SN 9A6065-9A205691 Diesel/Gas), 2135 (Diesel)
14	R42786 Fuel Tank	579701M91	MF 230, 235, 245, Ind. 20C, 30B, 30D
15	R61926 Fuel Tank	1672762M91 1672762M93 3762589M91 3599360M95	MF 240, 250, 253, Ind. 20D, 20E, 20F, 30E, 30H, 40E
16	R40626 Heater Plug w/ Screw Terminal	893501M91 2666103	MF 35, 35UK, 50
17	R40627 Heater Plug w/ Spade Terminal	3583543M2 1446935M1 2666108	MF 154-4, 231, 240, 250, 253, Ind. 35 Utility, 203, 205, 20D, 20E, 20F, 30E, 30H, 40E,

We have attempted to insure the accuracy of the information listed and reserve the right for type error.

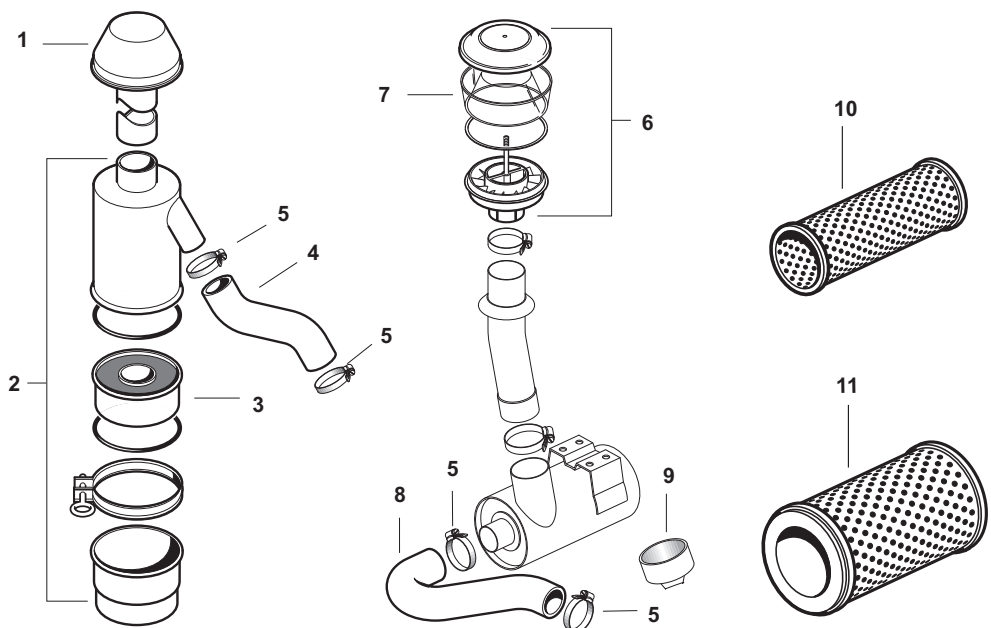
Some part numbers and manufacturers' names are used strictly for reference purpose only
Any prices listed are subject to change without notice and are in U.S. dollars. Not all items are stocking items.



Fuel System and Related Components (3 Cylinder)

OUR #	DESCRIPTION	EQUIVALENT	TRACTOR MODEL	
1	R41515	Pipe	888486M91	MF 135UK, 240, 250, Ind. 20E, 20F, 30E
2	R41333	Reservoir - Leak Off	891969M91	MF 35UK, 135UK, 240, 250, Ind. 20E, 20F, 30E
3	R42205	Pipe - Tank to Thermostat	884472M92	MF 240, 250, Ind. 20E, 20F, 30E
4	R42203	Pipe	884473M92	MF 135UK, 240, 250, Ind. 20E, 20F, 30E
5	R42206	Pipe - Filter to Injection Pump	888488M93 888488M91	MF 135UK (Eng SN 152UA38571D>), 240, 250, Ind. 20D, 20E, 30E
6	R42204	Pipe	887046M92	MF 135UK (SN 107716>), 240 (>SN 552716) (522354-A20286) (>Eng SN 553429), 250 (Early Production), Ind. 20D (Tractor >SN 2996810403), 20E, 30E
7	R42129	Pipe - Filter to Injection Pump	888482M91	MF 135UK, 240, 250, Ind. 20D, 20E, 20F, 30E, 40E
8	R42130	Pipe - Filter to Injection Pump	888490M91	MF 135UK, 240, 250, Ind. 20D, 20E, 20F, 30E, 40E
9	R42131	Pipe - Primary to Secondary Filter	888484M91	MF 135UK, 240, 250, Ind. 20D, 20E, 30E, 40E
10	R40582	Rubber Olive (5/16"OD x 3/16"ID x 3/16"w)	376524x1 33811112	
10	R40583	Rubber Olive (7/16"OD x 1/4"ID x 1/4"w)	376525x1 33811113	
10	R40584	Rubber Olive (13/32"OD x 5/16"ID x 1/4"w)	376526x1 33811114	
10	R40585	Rubber Olive (3/8"OD x 1/4"ID x 1/4"w)	376527x1 33811115	
11	R42084	Assorted Rubber Olive (100 pc)		Includes: 20 x R40582, 30 x R40583, 30 x R40584, 20 x R40585
12	R42127	Filter Head - less Bleeder Screw 1/2" UNF Fittings, Outer Holes "in", Inner Holes "out"		
13	R40540	Element - Filter, Primary 70mm OD, 34mm ID, 84mm Ht	1850450M1	MF 35, 35UK, 50, Ind. 35 Utility, 203, 205
13	R40543	Element - Filter, Primary 80mm OD, 19mm ID Top, 38mm ID Bottom, 112mm Ht	3405419M1	MF 360
14	R40542	Element - Filter 88mm OD, 19mm ID, 72mm Ht	3405418M1 836218M91 7111-296	MF 35, 50, 135, 150, 230, 235, 240, 245, 250, 154-4, 254-4, Ind. 20, 30, 35 Utility, 40, 2135, 203, 205, 30B, 30D, 30E
15	R42099	Filter Assembly w/ Glass Bowl (Uses CAV 7111/296 Filter)	883786M91	MF 231, 240, 364S, Ind. 20F, 30H
15	R60425	Filter Assembly w/ Metal Bowl	883786M91	MF 231, 240, 364S, Ind. 20F, 30H
16	R40572	Glass Bowl - Shallow	1039071M1	MF 230, 231, 235, 240, 245, 250, 154-4, 254-4, Ind. 20C, 20D, 30B, 30D, 30E
17	R40571	Glass Bowl - Deep	1024386M1	MF 35, 50, 135, 150, 240, 253, 360, Ind. 20, 30, 31, 35 Utility, 40, 203, 205
18	R61578	Sediment Bowl Assembly (1/8 NPT) w/ Stand Pipe		MF 135, Ind. 20 Gas, 30 Gas
19	R61581	Sediment Bowl Assembly (1/8 NPT)	505472M91	MF 135, Ind. 20 Gas, 30 Gas

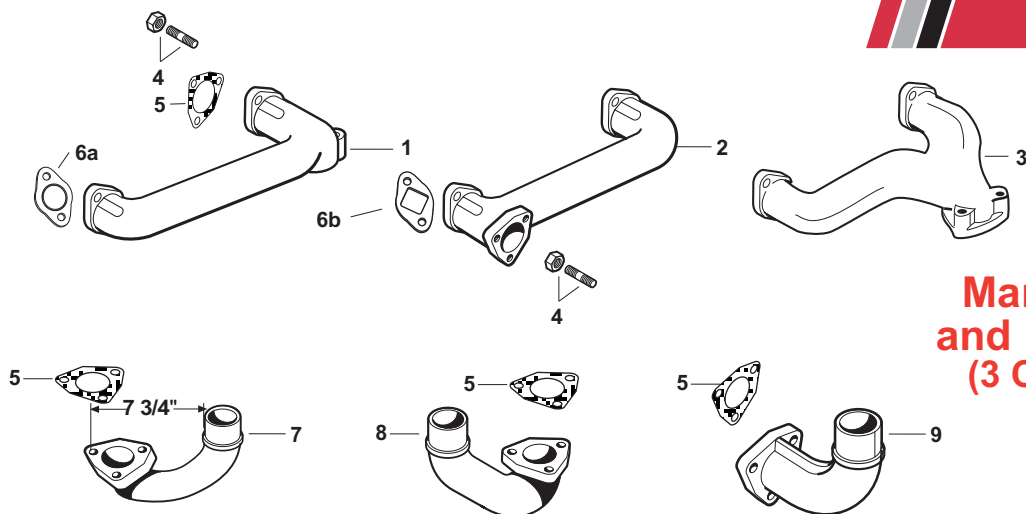
Air Cleaners and Related Components (3 Cylinder)



OUR #	DESCRIPTION	EQUIVALENT	TRACTOR MODEL
1	R41559 Pre-Cleaner - Through Hood (2" Inlet x 14 1/2" , 11 3/4" Pipe)	893226M91 1884302M91	MF 35UK, 135UK
2	R40552 Air Cleaner Assembly - Oil Bath	1886673M93	MF 135UK, 231, 240 (522354>), 253
3	R40554 Element - Oil Bath		Sparex Replacement fits R40552 only
3	R42122 Element - Oil Bath	1850830M1 1883116M91	MF 35UK, 135UK
4	R41377 Hose - Air Cleaner to Manifold	890258M1	MF 35UK
4	R40556 Hose - Air Cleaner to Manifold	898104M1	MF 135UK, 240 (522354> w/ "Classic" Pedals)
5	R04439 Clamp (2-2 1/2")	358796x1 338618x1	
6	R65719 Pre-Cleaner Assembly (7" Bowl, 2 1/4" Inlet)	1682798M1 1687562M1 3761802M1	MF 240, 253
7	R41397 Pre-Cleaner Bowl	1508881M1	MF 240 253
7	R41404 Pre-Cleaner Bowl (Economy)	1508881M1	
8	R41378 Hose - Air Cleaner to Manifold	1861746M1	MF 135UK, 240, 250, Ind. 20D, 20E, 20F, 30E
9	R75832 Air Cleaner Dust Collector 3" Dia. Air Cleaners		
10	R76547 Air Filter - Inner OD Top=2.11", OD Bottom=2.54" ID Top=.33", ID Bottom=1.87" Height=10.31"	1094269M91	MF 150 (SN 9A112251>), 235 Orchard, 245 Orchard (>SN 9A349239), 245 (SN 9A349239>), 255 (Gas), Ind. 20C, 30 (Late Production), 30B, 30D, 40
11	R61595 Air Filter - Outer OD Top=4 1/16", ID Top=2 1/2", Height=9 3/8"	1029945M92	MF 135 Diesel (>SN 641023533 w/ Single Element), Ind. MF 2135 (>SN 9A10311 w/ Single Element)
11	R61586 Air Filter - Outer OD Top=4 1/8", OD Bottom=5 1/8" ID Top=3", ID Bottom=2 1/2" Height=9 5/16"	1032762M91	MF 135 (SN 641023533> w/ Single Element), 135 (SN 9A105179> w/ Dual Element), Ind. 20 (>SN 9A119504 w/ Single Element), 2135 (SN 9A10311>)
11	R61911 Air Filter - Outer OD Top=6 3/8", OD Bottom=5 1/4" ID Top=2 9/16", ID Bottom=2 5/8" Height=11 1/4"	1043326M91	MF 230, 235, 245 (Outer Element, except Orchard), Ind. 20C

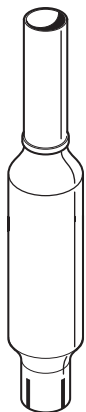
We have attempted to insure the accuracy of the information listed and reserve the right for type error.

Some part numbers and manufactures' names are used strictly for reference purpose only
Any prices listed are subject to change without notice and are in U.S. dollars. Not all items are stocking items.

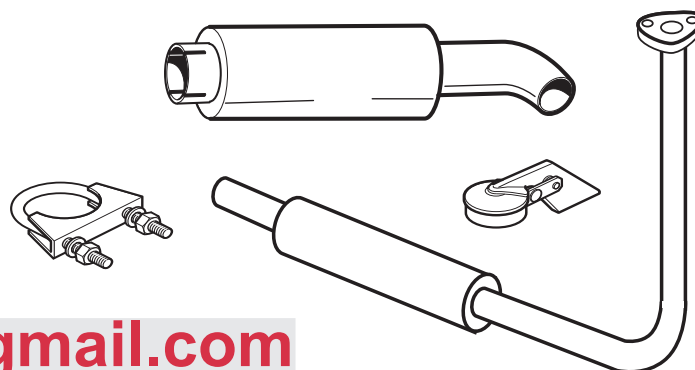


Manifolds, and Elbows (3 Cylinder)

OUR #	DESCRIPTION	EQUIVALENT	TRACTOR MODEL
1	R41319 Manifold - 180° Elbow	731267M1 731267M91	MF 35UK, 35, Ind. 35 Utility
1	R40635 Manifold - 180° Elbow (Will fit MF135 Diesel-Horizontal if R60784 Pipe & R06300 Muffler are used)	734874M1	MF 35UK (SN 152UA274531>), 154-4, 254-4, Ind. 20F
2	R41320 Manifold - 90° Elbow	740221M1	MF 135UK, 231, 240
3	R61177 Manifold	734921M1	MF 135 (Gas-Horizontal >SN 152UA263A), 135 (Diesel), 150 (w/ Generator >SN 9A15748), 230 (>SN 9A293592), 235 (Horizontal), 245 (Horizontal >SN 9A349239), Ind. 20 (Diesel-Horizontal), 20C (Diesel-Turf >SN 9A293592), 30B (Diesel-Horizontal), 30D (Horizontal), 2135 Turf, Utility (Horizontal)
4	R41346 Stud & Nut (5/16 x 1/2")	731327M1 735715x1	Manifold to Head, Elbow to Manifold
5	R40645 Gasket - Elbow to Manifold (2 5/8" c-c)	827877M1	All 3 Cylinder Perkins
6a	R41348 Gasket - Manifold to Head (Round Center Hole)	731268M1	Manifold R41319
6b	R41350 Gasket - Manifold to Head (Square Center Hole)		Manifold R40635, R41320, R61177
7	R61970 Exhaust Elbow - 180° (Made wider than original for added hood clearance)	898011M1	Manifold R41319, R40635
8	R15549 Exhaust Elbow - 180°		Manifold R41319, R40635
9	R16968 Exhaust Elbow - 90°	1865534M1	Manifold R41320



Mufflers & Pipes Also Available !



ricksagriparts@gmail.com