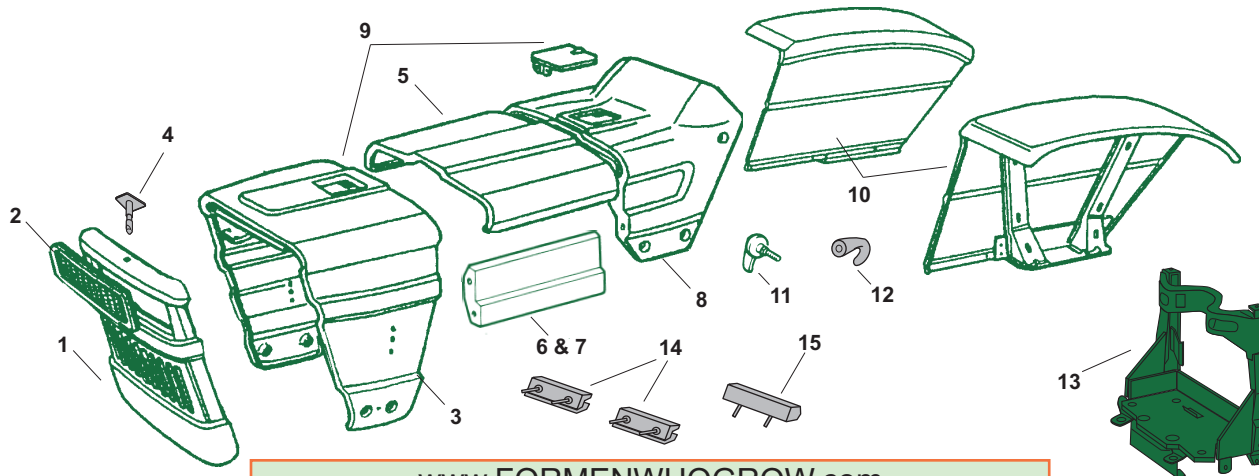


Replacement Parts for FIAT/OLIVER/WHITE

Decal Packages Available For Most Fiat/Oliver Tractors



www.FORMENWHOGROW.com

1 R60242 Grill - Less Upper Screen

Fits: 1250A, 1255, 1265, 1270, 1355, 1365, 1370
Replaces: 673407A, 677825A

2 R60440 Insert - Grill, Upper

Fits: 1250A, 1255, 1265, 1270, 1355, 1365, 1370
For above Grill

3 R60441 Cowl - Front

Fits: 1250A, 1255, 1265, 1270, 1355, 1365, 1370, 1465, 1470, 2-50, 2-60
Replaces: 677609A

4 R62289 Grill Pin

Fits: 1250A, 1255, 1265, 1270, 1355, 1365, 1370, 1465, 1470
Replaces: 677615A

5 R62460 Hood

Fits: 1250A, 1255, 1265, 1270, 2-50
Replaces: 677620A

5 R62463 Hood

Fits: 1355, 1365, 1370, 2-60
Replaces: 30-3013871

6 R62464 Side Panel - RH

Fits: 1355, 1365, 1370, 2-60
Replaces: 30-3013898

6 R66501 Side Panel - RH

Fits: 1250A, 1255, 1265, 1270, 2-50,
Replaces: 677621A

7 R62465 Side Panel - LH

Fits: 1355, 1365, 1370, 2-60
Replaces: 30-3013901

7 R66502 Side Panel - LH

Fits: 1250A, 1255, 1265, 1270, 2-50
Replaces: 677622A

8 R62466 Cowl - Rear

Fits: 1250A, 1255, 1265, 1270, 1355, 1365, 1370, 1465, 1470, 2-50, 2-60
Replaces: 677618A

9 R62459 Lid - Fuel & Radiator Inspection

Fits: 1250A, 1255, 1265, 1270, 1355, 1365, 1370, 1465, 1470, 2-50, 2-60, 700
Replaces: 677607A

10 R61977 Fender - RH

Fits: 1250A, 1255, 1265, 1270, 1355, 1365, 1370
Replaces: 677654A

10 R61978 Fender - LH

Fits: 1250A, 1255, 1265, 1270, 1355, 1365, 1370
Replaces: 677655A

11 R63371 Handle

Fits: 1250 (SN 711542>), 1250A, 1255, 1265, 1270, 1355, 1365, 1370, 1450, 1465, 1470, 2-50, 2-60
Replaces: 674396A

12 R66503 Latch

Fits: 1250, 1250A, 1255, 1265, 1270, 1355, 1365, 1370, 1450, 2-50, 2-60
Replaces: 674386A

13 R58958 Battery Support - 2 WD

Fits: 1255, 1265, 1270, 1355, 1365, 1370, 2-50, 2-60,
Replaces: 31-2902061, 677636A

14 R67262 Pad, Grill

Fits: 1250A, 1255, 1265, 1270, G350, 1355, 1365, 1370, G450, 1465, 1470
Replaces: 677612A, 30-3044009

15 R67263 Pad, Hood

Fits: 1250A, 1255, 1265, 1270, G350, 1355, 1365, 1370, G450, 1465, 1470
Replaces: 677629A,

e-mail: RICKSAGRIPARTS@gmail.com

Most parts are aftermarket parts and are not manufactured by the Original Equipment Manufacturer.