

MF07

	Description	OEM Ref:	Applications
1	S.40843 Hydraulic Pump Repair Kit With valve chambers Contains: 2 x S.40846 Valve Chamber Assembly, 2 x S.3346 Piston, 1 x S.40857 Camblock, 1 x S.40858 Camblock, 4 x S.3353 Piston Rings, 1 x S.1802 O'Ring Kit	1810858M91	35, 35X, 65, 765
1	S.40844 Hydraulic Pump Repair Kit With Valve Chambers (MKI Pumps) Contains: 2 x S.40847 Valve Chamber Assembly, 2 x S.3345 Piston, 1 x S.40857 Camblock, 1 x S.40858 Camblock, 4 x S.3354 Piston Rings, 1 x S.40868 O'Ring Kit	-	(135>116248), (165>582205), 175, 178
1	S.17368 Hydraulic Pump Repair Kit With valve chambers (MKII Pumps) Contains: 2 x S.17369 Valve Chamber Assembly, 2 x S.3345 Piston, 1 x S.40857 Camblock, 1 x S.40858 Camblock, 4 x S.3354 Piston Rings, 1 x S.40868 O'Ring Kit	1810859M91	(135 116249>447440), (148, 158>606024), (165 582206>136610), (168>256093), 175, 178, 185, 188, 595, 1080, 1200,
1	S.40845 Hydraulic Pump Repair Kit With valve chambers (MKIII Pump) Contains: 2 x S.40848 Valve Chamber Assembly, 2 x S.3345 Piston, 1 x S.40857 Camblock, 1 x S.40858 Camblock, 4 x S.3354 Piston Rings, 1 x S.40869 O'Ring Kit	1810860M91	(135 447440>), (148, 158 606025>), (165 136610>), (168 256093>), 185, 188, 230, 240, 250, 265, 275, 285, 290, 298, 340, 342, 350, 353, 360, 362, 365, 372, 375, 390 (T), 398, 399, 440, 550, 575, 590, 675, 690, 698 (T), 699
2	S.40846 Valve Chamber Assembly Contains: 1 x S.3343 Valve Chamber, 1 x S.3274 Valve Kit. (Supercedes S.16969)	184471M1	35, 35X, 65, 765
2	S.40847 Valve Chamber Assembly - MKI Pumps Contains: 1 x S.3344 Valve Chamber, 1 x S.3274 Valve Kit. (Supercedes S.16970)	897491M1	(135>116248), (165>582205), 175, 178
2	S.17369 Valve Chamber Assembly - MKII Pumps Contains: 1 x S.17370 Valve Chamber, 1 x S.3274 Valve Kit	888702M1, 168734M3	(135 116249>447440), (148, 158>606024), (165 582206>136610), (168>256093), 175, 178, (185, 188>361108), 595, 1080, 1200
2	S.40848 Valve Chamber Assembly - MKIII Pumps Assembly Contains: 1 x S.40851 Valve Chamber, 1 x S.3274 Valve Kit. (Supercedes S.16971)	1868435M3	(135 447440>), (148, 158 606025>), (165 136610>), (168 256093>), 175, 178, 185, 188, 230, (235 Brazil), 240, 250, (250X Brazil), 265, (265 Brazil), 275, (275 Brazil), 285, 290, (290 Brazil), (292 Brazil), (295 Brazil), (296 Brazil), (297 Brazil), 298, (298 Brazil), (299 Brazil), 340, 342, 350, 353, 360, 362, 365, 372, 375, 390, 390T, 398, 399, (410/420), (415), (425 2WD >238493), (425 4WD >237827), (435 2WD >236860), (435 4WD >236060), (440 2WD >236369), (440 4WD >236556), (445 2WD >B5035008), (445 4WD >236223), (460 2WD >239117), (460 4WD >236903), (465 4WD >236367), (475 4WD >238868), (481 (Japan Only)), (492 (Japan Only)), 550, 575, 590, 675, 690, 698, 698T, 699
3	S.3343 Valve Chamber - Bare	184471M1	35, 35X, 65, 765
3	S.3344 Valve Chamber - Bare (MKI)	897491M1	(135>116248), (165>582205), 175, 178
3	S.17370 Valve Chamber - Bare (MKII)	888702M1, 1868734M1	(135 116249>447440), (148, 158>606024), (165 582206>136610), (168>256093), 175, 178, (185, 188>361108), 595, 1080, 1200
3	S.40851 Valve Chamber - Bare (MKIII)	1868435M3	(133, 135E, 140 606025>), (135 447440>), (148, 152, 158 606025>), (165 136610>), (168 256093>), 175, 178, 185, 188, 230, 240, 250, 265, 275, 285, 290, 298, 340, 342, 350, 353, 360, 362, 365, 372, 375, 390, 390T, 398, 399, 550, 565, 575, 590, 675, 690, 698, 698T, 699

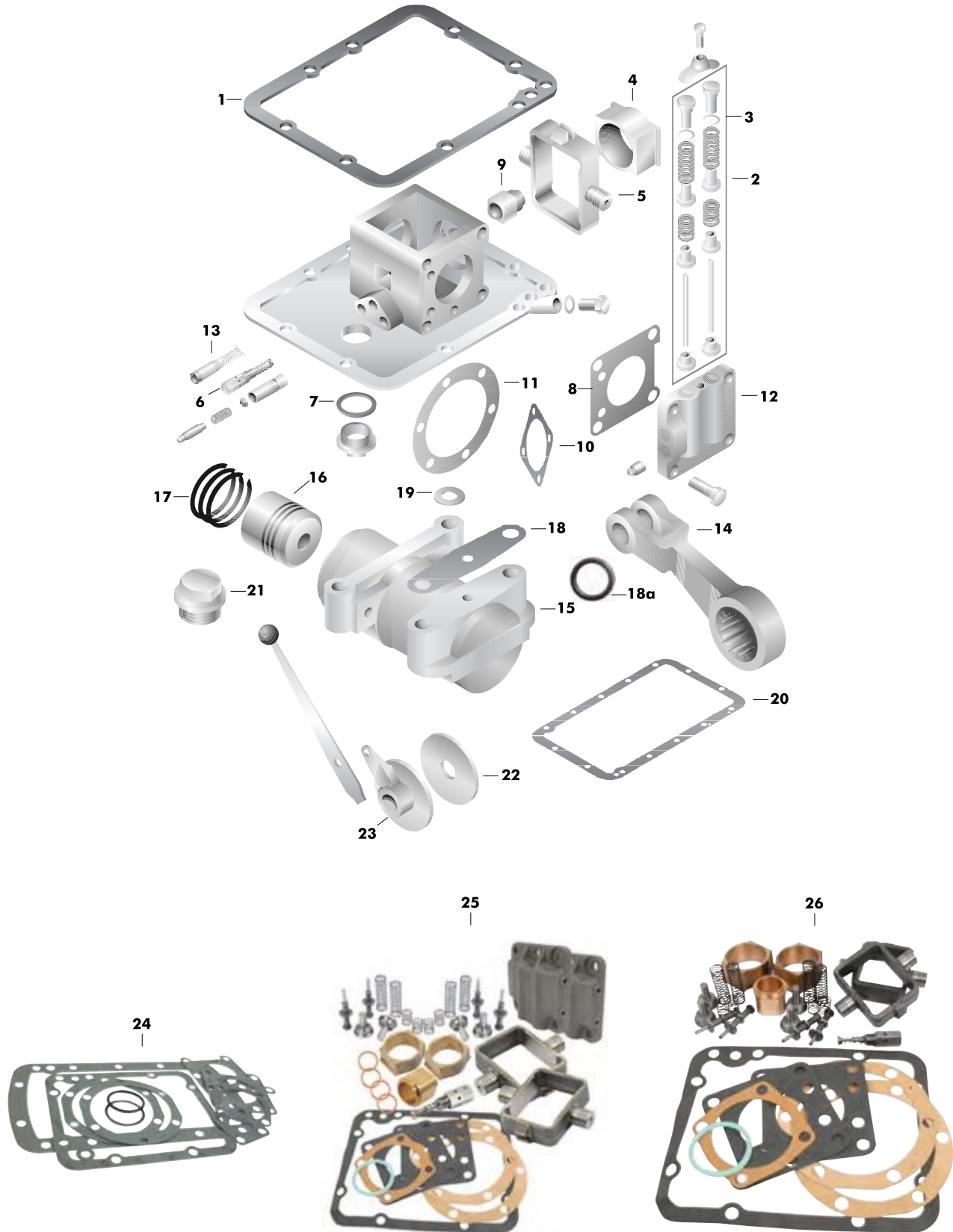
	Description	OEM Ref:	Applications
4	S.17334 Plug - Valve Chamber (MKIII Pumps)	1868741M1	(133, 135E, 140 SN>), (135 447440>), (148, 152, 158 606025>), (165 136610>), (168 256093>), 175, 178, (185, 188 361109>), 230, 240, 250, 265, 275, 285, 290, 298, 340, 342, 350, 353, 360, 362, 365, 372, 375, 390, 390T, 398, 399, (415), (425 2WD >238493), (425 4WD >237827), (435 2WD >236860), (435 4WD >236060), (440 2WD >236369), (440 4WD >236556), (445 2WD >B5035008), (445 4WD >236223), (460 2WD >239117), (460 4WD >236903), (465 4WD >236367), (475 4WD >238868), (481 Japan Only), (492 Japan Only), 550, 575, 590, 675, 690, 698, 698T, 699
5	S.3274 Chamber Repair Kit	1810678M91	35, 35X, 65, 135, 148, 158, 165, 168, 175, 178, 185, 188, 230, 240, 250, 265, 275, 285, 290, 298, 340, 342, 350, 353, 360, 362, 365, 372, 375, 390 (T), 398, 399, 550, 575, 590, 595, 675, 690, 698 (T), 699, 765, 1080,
5	S.42009 Valve & O'Ring Kit Repairs two Valve Chambers Contains: 2 x S.3274, 1 x S.1802	830997M91	35, 35X, 65, (135>116248), (165>582205), 175, 178, 765
6	S.3346 Piston (23.1mm - 29/32")	190799M1	35, 35X, 65, 765
6	S.43073 Piston - Hydraulic Pump (23.1mm)	184470M1	(FE35 23C Diesel)
6	S.3345 Piston (25mm - 63/64")	1860038M1, 897492M1	133, 140, 135E, 135, 148, 152, 158, 165, 168, 175, 178, 185, 188, 230, 240, 250, (250 Brazil), (265 Brazil), (275 Brazil), (283 Brazil), 285, (290 Brazil), (292 Brazil), (297 Brazil), (298 Brazil), (299 Brazil), 340, 342, 350, 353, 360, 362, 365, 372, 375, 390, 390T, 398, 399, 415, (425 2WD >238493), (425 4WD >237827), (435 2WD >236860), (435 4WD >236060), (440 2WD >236369), (440 4WD >236556), (445 2WD >B5035008), (445 4WD >236223), (460 2WD >239117), (460 4WD >236903), (465 4WD >236367), (475 4WD >238868), (481 Japan Only), (492 Japan Only), 550, 565, 575, 590, 595, 675, 690, 698, 698T, 699, 1080, 1200
7	S.3353 Piston Ring - Hydraulic Cylinder (23.1mm 29/32")	190848M1, 892604M1	35, 35X, 65, 765
7	S.3354 Piston Ring - Hydraulic Cylinder (25mm 63/64")	897493M1	133, 140, 135E, 135, 148, 152, 158, 165, 168, 175, 178, 185, 188, 230, (235 Brazil), 240, 250, (250X Brazil), (265 Brazil), (275 Brazil), (283 Brazil), 285, (290 Brazil), (292 Brazil), (295 Brazil), (296 Brazil), (297 Brazil), (298 Brazil), (299 Brazil), 340, 342, 350, 353, 360, 362, 365, 372, 375, 390, 390T, 398, 399, (415), (425 2WD >238493), (425 4WD >237827), (435 2WD >236860), (435 4WD >236060), (440 2WD >236369), (440 4WD >236556), (445 2WD >B5035008), (445 4WD >236223), (460 2WD >239117), (460 4WD >236903), (465 4WD >236367), (475 4WD >238868), (481 Japan Only), (492 Japan Only), 550, 565, 575, 590, 675, 690, 698, 698T, 699, 1080, 1200
8	S.40857 Camblock - Front (With Lip)	180924M1, 180914M2, 894607M1	35, 35X, 65, 133, 135E, 135, 140, 148, 152, 158, 165, 168, 175, 178, 185, 188, 230, (235 Brazil), 240, 250, (250X Brazil), (265 Brazil), (275 Brazil), (283 Brazil), 285, (290 Brazil), (292 Brazil), (295 Brazil), (296 Brazil), (297 Brazil), (298 Brazil), (299 Brazil), 340, 342, 350, 353, 360, 362, 365, 372, 375, 390, 390T, 398, 399, 410/420, 415, (425 2WD >238493), (425 4WD >237827), (435 2WD >236860), (435 4WD >236060), (440 2WD >236369), (440 4WD >236556), (445 2WD >B5035008), (445 4WD >236223), (460 2WD >239117), (460 4WD >236903), (465 4WD >236367), (475 4WD >238868), (481 Japan Only), (492 Japan Only), 550, 565, 575, 590, 595, 675, 690, 698, 698T, 699, 765, 1080, 1200, 1250
9	S.40858 Camblock - Rear (Plain)	180925M1, 180925M2, 894608M1	35, 35X, 65, 133, 135E, 135, 140, 148, 152, 158, 165, 168, 175, 178, 185, 188, 230, (235 Brazil), 240, 250, (250X Brazil), (265 Brazil), (275 Brazil), (283 Brazil), 285, (290 Brazil), (292 Brazil), (295 Brazil), (296 Brazil), (297 Brazil), (298 Brazil), (299 Brazil), 340, 342, 350, 353, 360, 362, 365, 372, 375, 390, 390T, 398, 399, 410/420, 415, (425 2WD >238493), (425 4WD >237827), (435 2WD >236860), (435 4WD >236060), (440 2WD >236369), (440 4WD >236556), (445 2WD >B5035008), (445 4WD >236223), (460 2WD >239117), (460 4WD >236903), (465 4WD >236367), (475 4WD >238868), (481 Japan Only), (492 Japan Only), 550, 565, 575, 590, 595, 675, 690, 698, 698T, 699, 765, 1080, 1200, 1250
10	S.1802 O'Ring Kit	894906M1	35, 35X, 65, 765
11	S.41502 Seal Kit - MKI Pump	1810467M92	135, 165, 175, 178
12	S.40868 O'Ring Kit - MKI & MKII Pumps	1810684M92	(135>447440), (148, 158>606024), (165>136610), (168>256093), 175, 178, (185, 188>361108), 595, 1080, 1200
13	S.40869 O'Ring Kit - MKIII Pump	1810680M92	(135 447440>), (148, 158 606025>), (165 136610>), (168 256093>), 175, 178, (185, 188 361109>), 230, 240, 250, 265, 275, 285, 290, 298, 340, 342, 350, 353, 360, 362, 365, 372, 375, 390 (T), 398, 399, 550, 565, 575, 590, 675, 690, 698 (T), 699
14	S.41450 Filter - Oil (Early Version 98 x 64mm)	185551M93, 884906M92	35, 35X, 65, 135, 148, 158, 165, 168, 175, 178, 185, 188, 765
14a	S.42878 Filter Kit - Hydraulic Pump	185551M93 + 185839M91 + 185555M1	FE35, 35, 35X, 65, 145, 148, 165, 168, 175S, 175, 178, 185, 188
15a	S.42874 Filter Bowl Cover	1868467M1	133, 135, 140, 148, 152, 152MKII, 152MKIII, 155, 158, 158MKIII, 165, 168, 168MKIII, 185, 188, 235, 245, 250, 265, 275, 285, 290, 298, 550, 565, 575, 590, 1085, 1200, 1250
15	S.40859 Strainer - Hydraulic (Later Version) (Short 89 x 62mm)	1810744M91, 1870199M91, 1687042M91	133, 140, 135E, 135, 148, 152, 158, 165, 168, 175, 178, 185, 188, 230, (235 Brazil), 240, 250, (250X Brazil), (265 Brazil), (275 Brazil), 285, 290, (290 Brazil), (292 Brazil), (295 Brazil), (296 Brazil), (297 Brazil), 298, (298 Brazil), (299 Brazil), 340, 342, 350, 353, 360, 362, 365, 372, 375, 390, 390T, 398, 399 >B11176), 415, 425, 435, 440, 445, 460, 465, 475, 481, 492, 550, 565, 575, 590, 675, 690, 698, 698T, 699
16	S.40883 Filter - Hydraulic (Later Version 160mm x 72mm)	1674984M91, 1810694M91	(230, 240, 250, 265, 275, 285, 290, 298>B11176 with IPTO), 340, 342, 350, 352, 355, 360, 362, 365, 375, 390, 390T, 396, 398, 399, 550, 560, 565, 575, 590, 595, 675, 690, 698, 698T, 699, 1085, 1200, 1250, 4215, 4220, 4225, 4235, 4240, 4245, 4255, 4260, 4265, 4270, 4315, 4220, 4325, 4335, 4345, 4355, 4360, 4370, 5335, 5340, 5355, 5360, 5365
17	S.41315 Gasket - Hydraulic Filter	1660551M1	4315, 4220, 4325, 4335, 4345, 4355, 4360, 4370, 5335, 5340, 5355, 5360, 5365
18	S.41460 O'Ring 3/32" x 3/8"	1007240M91	
19	S.11439 O'Ring 3/32" x 1 7/16"	195876M1	133, 135, 140, 148, 152MKIII, 152MKIV, 152E, 152S, 152V, 158MKIII, 158F, 158S, 158V, 165, 168, 168MKIII, 168F, 168S, 185, 188, 230, 231, 235, 240, 243, 240S, 245, 250, 253, 255, 260, 261, 263, 265, 265S, 275, 285, 290, 298, 340, 342, 350, 352, 355, 360, 362, 362N, 365, 372N, 375, 375E, 382N, 390, 390E, 390T, 396, 398, 399, 415, 425, 440, 445, 460, 465, 475, 550, 560, 565, 575, 590, 650, 660, 675, 680, 690, 698, 698T, 1004, 1004T

MF07

	Description	OEM Ref:	Applications
1	S.61320 Gasket - Pump to Housing Supercedes S.42216	4082 181065M1	TE20, TEA20, TED20, TEF20, TO20
2	S.61324 Valve Chamber Repair Kit	-	TE20, TEA20, TED20, TEF20, TO20
3	S.8848 Copper Washer I/D: 22mm. O/D: 27mm x 1.5mm	181096M1	TE20, TEA20, TED20, TEF20, TO20
4	S.74009 Camblock - Hydraulic Pump	1042 181066M91	TE20, TEA20, TED20, TEF20, TO20
5	S.74010 Piston 20.3 Ø	4009 890675M1	TE20, TEA20, TED20, TEF20, TO20
6	S.60023 Relief Valve 2050 psi. Supercedes S.17267	2172, 207887, 181087M91	(TE20, TEA20, TED20, TEF20, T20 >330043)
7	S.61323 Gasket - Sump Plug	1170 181468M1	TE20, TEA20, TED20, TEF20, TO20
8	S.61321 Gasket - Pump Chamber Supercedes S.42214	2181 181067M1 890664M1	(TE20, TEA20, TED20, TEF20, TO20 >285934)
9	S.60449 Bush - P.T.O. Shaft	1059 181095M1	TE20, TEA20, TED20, TEF20, TO20
10	S.61322 Gasket - P.T.O. Shaft Supercedes S.42215	1075	TE20, TEA20, TED20, TEF20, TO20
11	S.3352 Gasket - Side Plates	181217M3	TE20, TEA20, TED20, TEF20, TO20
12	S.61319 Valve Chamber (Fits both sides)	181074M91 181076M91	TE20, TEA20, TED20, TEF20, TO20
13	S.60057 Control Valve Supercedes S.17266	2425	TE20, TEA20, TED20, TEF20, TO20
14	S.42171 Lift Arm 5/8" Pin (37 Splines)	180910M1	TE20, TEA20, TED20, TEF20, TO20
15	S.42228 Hydraulic Lift Cylinder	7248 201183 829382M1	TE20, TEA20, TED20, TEF20, TO20
16	S.67816 Piston O'ring and backup washer type Replace cast ring type	181983M1	TE20, TEA20, TED20, TEF20, TO20
17	S.61589 Ring Set - Cast Iron 3 x cast ring	180898M1	TE20, TEA20, TED20, TEF20, TO20
18	S.42212 Gasket - Hydraulic Cylinder	104275	TE20, TEA20, TED20, TEF20, TO20 (Early) >SN 330043
18a	S.1932 O'Ring 1/8" x 1 3/16	105017	TEA20, TED20, TEF20 (Later) SN 330044>
19	S.42213 Gasket - Hydraulic Cylinder	1066	TE20, TEA20, TED20, TEF20, TO20
20	S.42217 Gasket - Top Cover	7042	TE20, TEA20, TED20, TEF20, TO20
21	S.41318 Cap - Oil Filler (Transmission)	768300M1	TE20, TEA20, TED20, TEF20, TO20
22	S.60635 Friction Disc Hydraulic Control Lever	1062 180889M1	TE20, TEA20, TED20, TEF20, TO20
23	S.66515 Hydraulic Lift Plate Control Lever	185148M91	TE20, TEA20, TED20, TEF20, TO20
24	S.61504 Lift Cover & Pump Repair Kit Includes: Gaskets & O' Rings	LCRK928	TE20, TEA20, TED20, TEF20, TO20
25	S.61725 Hydraulic Pump Repair Kit with Valve Chambers Contains: 1 x S.61320, 2 x S.61324, 2 x S.74009, 2 x S.74010 1 x S.60449, 1 x S.60023, 1 x S.61323, 2 x S.61321, 1 x S.61322, 2 x S.3352, 2 x S.61319, 4 x S.8848	-	TE20, TEA20, TED20, TEF20, TO20
26	S.61325 Hydraulic Pump Repair Kit	-	TE20, TEA20, TED20, TEF20, TO20

MF07

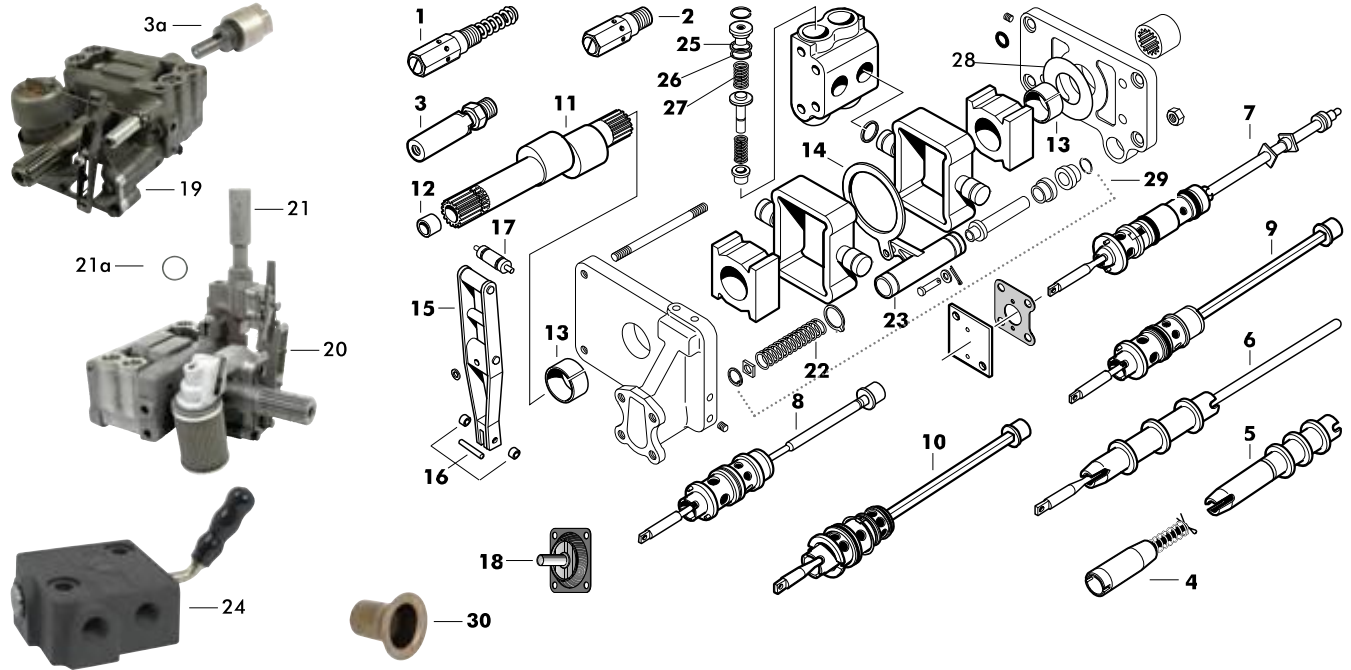
MF07



Hydraulic Pump Repair & Related Components

For complete product range...

* indicates there is no picture available at time of print



MF07

		Description	OEM Ref:	Applications
1	S.60023	Relief Valve 2050 psi. Supercedes S.17267	2172, 207887, 181087M91	(TE20, TEA20, TED20, TEF20, T20 >330043)
2	S.17268	Relief Valve 2550psi	183000M91	(35, 65, 765 Early Version)
3	S.702	Relief Valve 2300/2800psi	828927M91, 828927M92, 1662591M91	(35, 65, 765 Later Version), (133, 135E, 135, 140, 148, 152, 165, 175, 178 Without Pressure Control), (230, 240, 250, 253, 265, 275, 285, 290, 340, 342, 350, 352, 355, 362, 372, 375, 382, 390 Alternative to S.3358) Industrial 20F, (40E With Live PTO), (50>833975)
3	S.3271	Relief Valve 2500/3000psi	883402M92	(135, 165, 175, 178 With Pressure Control) Industrial 20D
3	S.3358	Relief Valve 2700/3200psi. Supercedes S.40866.	884747M92	(230, 240, 250, 253, 265, 275, 285, 290, 340, 342, 350, 352, 355, 362, 372, 375, 382, 390 Alternative to S.702) Industrial 30B, 30D, 30E, 40B, (40E With Independent PTO), 50C, 50E/EX
3a	S.42240	Relief Valve Hi-Flo	3401834M91 038639T1	(250 Brazil), (265 Brazil), (275 Brazil), (283 Brazil), (290 Brazil), (292 Brazil), (297 Brazil), (298 Brazil), (299 Brazil), (342, 350, 355, 360, 362, 362N, 365, 372N, 375, 382N, 390, 390T, 396, 398, 399 Hi-Flow Pump), (410/420), (415), (425 2WD >238493), (425 4WD >237827), (435 2WD >236860), (435 4WD >236060), (440 2WD >236369), (440 4WD >236556), (445 2WD >BS035008), (445 4WD >236223), (460 2WD >239117), (460 4WD >236903), (465 4WD >236367), (475 4WD >238868), (481 Japan Only), (492 Japan Only), 4215, 4220, 4225, 4235, 4240, 4245, 4255, 4260, 4265, 7270, 4315, 4320, 4325, 4335, 4345, 4355, 4360 4370, 5335, 5340, 5355, 5360, 5365
4	S.60057	Control Valve Supercedes S.17266	2425	TE20, TEA20, TED20, TEF20, TO20
5	S.706	Control Valve	189427M92	35, 65, 765
6	S.698	Control Valve - MKI Pump	897507M94	133, 140, 135E, 135, 140, 148, 152, 165, 175, 178, 185, 188 Industrial 50
7	S.708	Control Valve - MKII Pump	1862486M96	133, 140, 135E, 135, 140, 148, 152, 165, 168, 175, 178, 185, 188 Industrial 20C, 50
8	S.17269	Control Valve - MKIII Pump Early round type shaft	1870763M92	133, 140, 135E, 135, 140, 148, 152, 165, 168, 185, 188, 550, 565, 575, 590, 675, 690, 698, 698T Industrial 20C, 20D, 20F, 30B, 30D, 30E, 40B, 40E, 50, 50C, 50E/EX
9	S.4785	Control Valve - MKIII Pump Later square type shaft - this valve will replace the early type with minimum modification	1681789M91	133, 135E, 135, 140, 148, 152, 165, 168, 175, 178, 185, 188, (230, 240, 253, 265, 275, 285, 290, 298, 340, 342, 350, 352, 355, 360, 362, 362N, 365, 372N, 372, 375E, 382N, 390, 390E, 390T, 396, 398, 399 >8/1991), 550, 565, 575, 590, 675, 690, 698, 698T, 699, 1200 Industrial 20C, 20D, 20F, 30B, 30D, 30E, 40B, 40E, 50, 50C, 50E/EX
9	S.42101	Control Valve - MKIII Pump	3611085M91	(250X Brazil), (265 Brazil), (275 Brazil), (290 Brazil), (292 Brazil), (297 Brazil), (298 Brazil), (299 Brazil) (230, 240 522354> / >A20286), (240 >522353), (250, 255, 260, 265, (265 193552>), (265 >193552), 275, (275 221522>), (275 >221522), 285, 290, (290 387021>), (290 >387020), 298 (GB), 298 (FR), (250X Brazil), (265 Brazil), (275 Brazil), (283 Brazil), (290 Brazil), (292 Brazil), (297 Brazil), (298 Brazil), (299 Brazil), 415, (425 2WD >238493), (425 4WD >237827), (435 2WD >236860), (435 4WD >236060), (440 2WD >236369), (440 4WD >236556), (445 2WD >BS035008), (445 4WD >236223), (460 2WD >239117), (460 4WD >236903), (465 4WD >236367), (475 4WD >238868), (481 Japan Only), (492 Japan Only), 4215, 4220, 4225, 4235, 4245, 4255, 4265, 4260, 4270
10	S.17630	Control Valve	1617141M91	245, 285, 595, 1080, 1085
11	S.60951	Camshaft - Hydraulic Pump 10 Spline Shaft	899154M91 899915M92	(135>439191), (148 SN>), (165 512656>130773), (168>255118), (175, 178 705964>), (185, 188>SN) Industrial (50>833975)
11	S.41505	Camshaft - Hydraulic Pump 21 Spline Shaft	1868545M2 1684821M1 1871782M3	(135 439191>), (148 SN>), 158, (165 130773>), (168 255118>), (185, 188 SN>), (240 522354> / >A20286), (240 >522353), 250, 255, 260, 265, (265 193552>), (265 >193552), 275, (275 221522>), (275 >221522), 285, 290, (290 387021>), (290 >387020), 298 (GB), 298 (FR), (250X Brazil), (265 Brazil), (275 Brazil), (283 Brazil), (290 Brazil), (292 Brazil), (297 Brazil), (298 Brazil), (299 Brazil), 415, (425 2WD >238493), (425 4WD >237827), (435 2WD >236860), (435 4WD >236060), (440 2WD >236369), (440 4WD >236556), (445 2WD >BS035008), (445 4WD >236223), (460 2WD >239117), (460 4WD >236903), (465 4WD >236367), (475 4WD >238868), 481 (Japan Only), 492 (Japan Only), 550, 565, 575, 590, (675, 690, 698, 698T, 699 Models fitted with Independent PTO), 650 (BR for EAME), 660 (BR for EAME), 680, 1200 Industrial 20C, 20D, 2-F 30B, 30D, 30E, 40B, 40E, (50 833975>), 50C, 50E/EX

	Description	OEM Ref:	Applications
12	S.40870 Needle Bearing I/D = 5/8" O/D = 1 3/16" Depth = 1/2"	1000251M1	35, 65, 133, 140, 135E, 135, 140, 148, 152, 158, 165, 168, 175, 178, 185, 188, 230, (235 Brazil), 240, (250X Brazil), 253, 265, (265 Brazil), 275, (275 Brazil), 285, 290, (290 Brazil), (292 Brazil), (295 Brazil), (296 Brazil), (297 Brazil), (298 Brazil), (299 Brazil), 340, 342, 350, 352, 355, 360, 372, 375, 382, 390, 390T, 398, 399, (410/420), (415), (425 2WD >238493), (425 4WD >237827), (435 2WD >236860), (435 4WD >236060), (440 2WD >236369), (440 4WD >236556), (445 2WD >B5035008), (445 4WD >236223), (460 2WD >239117), (460 4WD >236903), (465 4WD >236367), (475 4WD >238868), (481 Japan Only), (492 Japan Only), 550, 565, 575, 595, 590, 675, 690, 698, 698T, 699, 765, 1080, 1085, 1200, 1250 Industrial 20C, 20D, 20F, 30B, 30D, 30E, 40B, 40E, 50, 50C, 50E/EX
13	S.40871 Bush - Camshaft Early Pump, MKI & MKII Pumps	1865012M1	35, 65, 133, 140, 135E, 135, 140, 148, 152, 158, 165, 168, 175, 178, 185, 188, 550, 565, 575, 590, 765, 1080, 1085, 1200 Industrial (50>833975), 30D, 30E
13	S.43471 Hydraulic Pump Bush MKIII	1694380	133, 135, 140, 148, 152MKIII, 152MKIV, 158MKIII, 168MK111, 230, 231, 235, 240, 243, 240S, 245, 250, 253, 255, 260, 261, 263, 265, 265S, 275, 290, 298, 340, 342, 350, 352, 355, 360, 362, 362N, 365, 372N, 375, 375E, 382N, 390, 390E, 390T, 396, 398, 399, 415, 425, 440, 445, 460, 465, 475, (481 Japan Only), (492 Japan Only), 550, 560, 565, 575, 590, 650, 660, 675, 680, 690, 698, 698T, 1004, 1004T, 1085, 1200, 1250, 4215, 4220, 4225, 4235, 4240, 4245, 4255, 4260, 4265, 4270, 4315, 4320, 4325, 4335, 4345, 4355, 4360, 4365, 4370, 5335, 5340, 5355, 5360, 5365
14	S.41859 Follower - Valve Oscillator	180933M1	35, 65, 133, 140, 135E, 135, 140, 148, 152, 158, 165, 168, 175, 178, 185, 188, 230, (235 Brazil), 240, 250, (250X Brazil), 253, (265 Brazil), (275 Brazil), (283 Brazil), 285, (290 Brazil), (292 Brazil), (295 Brazil), (296 Brazil), (297 Brazil), 298, (298 Brazil), (299 Brazil), 340, 342, 350, 352, 355, 360, 372, 375, 382, 390, 398, 399, (410/420), (415), (425 2WD >238493), (425 4WD >237827), (435 2WD >236860), (435 4WD >236060), (440 2WD >236369), (440 4WD >236556), (445 2WD >B5035008), (445 4WD >236223), (460 2WD >239117), (460 4WD >236903), (465 4WD >236367), (475 4WD >238868), (481 Japan Only), (492 Japan Only), 550, 565, 575, 595, 590, 675, 690, 698, 698T, 699, 765, 1080, 1085, 1200, 1250 Industrial 20C, 20D, 20F, 30B, 30D, 30E, 40B, 40E, 50, 50C, 50E/EX
15	S.42007 Lever - Valve Control (MKI & MKII Pumps)	897516M91	133, 135E, 135, 140, 148, 152, 165, 168, 175, 178, 185, 188, 1200 Industrial 20C, 50
15	S.42011 Lever - Valve Control (MKIII Pump)	1868471M91	133, 135E, 135, 140, 148, 152, 158, 165, 168, 185, 188, 550, 565, 575, 590, 675, 690, 698, 698T, 699, 1200, 1250 Industrial 20C, 20D, 20F, 30B, 30D, 30E, 40B, 40E, 50, 50C, 50E/EX
15	S.43546 Lever - Hydraulic Pump	3610175M91	(230, 240 Without Safety Block Valve), 240S, 243, (253 08/91->), 265S, 285S, (275, 290 P12018->), (340 08/91->), 342, (350 08/91->), 352, (355, 360, 362 08/91->), 362N, (365 08/91->), 372N, (375, 375E P12018->), 382N, (390, 390T 08/91->), (390E P12018->), 396, (398, 399 08/91->), (415 UK Made Pump), 425, 425S, 435, 440, 445, 480, 465, 475, (650 UK Made Pump), 660, (680 UK Made Pump)
16	S.60227 Pin & Rollers	897599M1 x 2 897504M1 x 1	133, 140, 135E, 135, 140, 148, 152, 158, 165, 168, 175, 178, 185, 188, 230, (235 Brazil), 240, 250, 253, 265, (265 Brazil), 275, (275 Brazil), 285, 290, (290 Brazil), (292 Brazil), (295 Brazil), 298, 340, 342, 350, 352, 355, 360, 372, 375, 382, 390, 390T, 398, 399, (425 2WD >238493), (425 4WD >237827), (435 2WD >236380), (435 4WD >236060), (440 2WD >236369), (440 4WD >236556), (445 2WD >B5035008), (445 4WD >236223), (460 2WD >239117), (460 4WD >236903), 550, 565, 575, 595, 590, 675, 690, 698, 698T, 699, 1200, 1250 Industrial 20C, 20D, 20F, 30B, 30D, 30E, 40B, 40E, 50, 50C, 50E/EX
17	S.41424 Roller - Control Lever (MKI & MKII Pumps)	898202M1	133, 135E, 135, 140, 148, 152, 165, 168, 175, 178, 185, 188, 1200 Industrial 20C, 50
18	S.41877 Diaphragm - Pressure Control (MKIII Pump)	1860114M91	133, 135E, 135, 140, 148, 152, 158, 165, 168, 185, 188, 550, 565, 575, 590, 675, 690, 698, 698T, 699, 1200, 1250 Industrial 20C, 20D, 20F, 30B, 30D, 30E, 40B, 40E, 50, 50C, 50E/EX
19	S.60461 Hydraulic Pump 10 Spline	184473M3	35, 35X, 65, 765
19	S.60950 Hydraulic Pump 10 Spline (Less Pressure Control S.42029)	1684582M92	133, 135 (E), 140, 148, 152, 165, 168, 175, 178, 185, 188, 1200,
20	S.60468 Hydraulic Pump 21 Spline (With Pressure Control - MKIII Pump)	1868439M98, 3773700M92	133, 135 (E), 140, 148, 152, 158, 165, 168, 185, 188, 230, 240, 250, 265, 275, 290, 298, (250X Brazil), (265 Brazil), (275 Brazil), (283 Brazil), (290 Brazil), (292 Brazil), (297 Brazil), (298 Brazil), (299 Brazil), 415, (425 2WD >238493), (425 4WD >237827), (435 2WD >236860), (435 4WD >236060), (440 2WD >236369), (440 4WD >236556), (445 2WD >B5035008), (445 4WD >236223), (460 2WD >239117), (460 4WD >236903), (465 4WD >236367), (475 4WD >238868), (481 Japan Only), (492 Japan Only), 550, 565, 575, 590, 675, 690, 698 (T), 699, 1200, 1250
20	S.42258 Hydraulic Pump New type less pressure control valve, less relief valve. This pump is the later 21 spline version.	1683301M92	230, 240, (250 Brazil), (265 Brazil), (275 Brazil), (283 Brazil), (290 Brazil), (292 Brazil), (297 Brazil), (298 Brazil), (299 Brazil), 340, (415), (425 2WD >238493), (425 4WD >237827), (435 2WD >236860), (435 4WD >236060), (440 2WD >236369), (440 4WD >236556), (445 2WD >B5035008), (445 4WD >236223), (460 2WD >239117), (460 4WD >236903), (465 4WD >236367), (475 4WD >238868), (481 Japan Only), (492 Japan Only), 670, 690, 698, 699,
21	S.42029 Valve - Pressure Control	1680061M91	133, 135E, 135, 140, 148, 152, 158, 165, 168, 185, 188, 230, 240, 250, 265, 275, 290, 298, 550, 565, 575, 595, 590, 675, 690, 698, 698T, 699, 1200, 1250 Industrial 20C, 20D, 20F, 30B, 30D, 30E, 40B, 40E, 50, 50C, 50E/EX
21a	S.42303 O'Ring - Pressure Control Valve	361163X1	
22	S.42164 Spring - Control Valve	180940M1	(415), (425 2WD >238493), (425 4WD >237827), (435 2WD >236860), (435 4WD >236060), (440 2WD >236369), (440 4WD >236556), (445 2WD >B5035008), (445 4WD >236223), (460 2WD >239117), (460 4WD >236903), (465 4WD >236367), (475 4WD >238868), (481 Japan Only), (492 Japan Only)
23	S.43472 Oscillator Body - Hydraulic Pump	1869826M93	133, 135, 140, 145, 145MKIII, 145V, 148, 152MKIII, 152MKIV, 152F, 152S, 152V, 155, 158, 158MKIII, 158F, 158S, 158V, 165, 168MK111, 168F, 185, 188, 230, 231, 235, 240, 243, 240S, 243, 245, 250, 253, 255, 260, 261, 265, 265S, (265 Brazil), 275, (275 Brazil), (283 Brazil), 285, 290, (290 Brazil), (292 Brazil), (297 Brazil), (298 Brazil), 298, (299 Brazil), 340, 342, 350, 352, 355, 360, 362, 362N, 365, 372N, 375, 375E, 382N, 390, 390E, 390T, 396, 398, 399, (410/420), 415, 425, 440, 445, 460, 465, 475, (481 Japan Only), (492 Japan Only), 550, 560, 565, 575, 590, 650, 660, 675, 680, 690, 698, 698T, 1004, 1004T, 1085, 1200, 1250, 4215, 4220, 4225, 4235, 4240, 4245, 4255, 4260, 4265, 4270, 4315, 4320, 4325, 4335, 4345, 4355, 4360, 4365, 4370, 5335, 5340, 5355, 5360, 5365
24	S.60032 Diverter Valve 3/8" NTP	-	35, 50, 65, 135, 150, 165, 175, 178, 180, 185, 188, 240 Models
*25	S.107367 Washer - Hydraulic Pump	1870849M1	(250X Brazil), (265 Brazil), (275 Brazil), (283 Brazil), (290 Brazil), (292 Brazil), (297 Brazil), (298 Brazil), (299 Brazil), 415, (425 2WD >238493), (425 4WD >237827), (435 2WD >236860), (435 4WD >236060), (440 2WD >236369), (440 4WD >236556), (445 2WD >B5035008), (445 4WD >236223), (460 2WD >239117), (460 4WD >236903), (465 4WD >236367), (475 4WD >238868), (481 Japan Only), (492 Japan Only)
*26	S.107369 O'Ring - Hydraulic Pump	1868742M1	(250X Brazil), (265 Brazil), (275 Brazil), (283 Brazil), (290 Brazil), (292 Brazil), (297 Brazil), (298 Brazil), (299 Brazil), 415, (425 2WD >238493), (425 4WD >237827), (435 2WD >236860), (435 4WD >236060), (440 2WD >236369), (440 4WD >236556), (445 2WD >B5035008), (445 4WD >236223), (460 2WD >239117), (460 4WD >236903), (465 4WD >236367), (475 4WD >238868), (481 Japan Only), (492 Japan Only)
*27	S.107368 Spring - Hydraulic Pump	180928M2	(298 Brazil), 415, (425 2WD >238493), (425 4WD >237827), (435 2WD >236860), (435 4WD >236060), (440 2WD >236369), (440 4WD >236556), (445 2WD >B5035008), (445 4WD >236223), (460 2WD >239117), (460 4WD >236903), (465 4WD >236367), (475 4WD >238868), (481 Japan Only), (492 Japan Only)
*28	S.107358 Washer - Hydraulic Pump	1664589M1	(250X Brazil), (265 Brazil), (275 Brazil), (283 Brazil), (290 Brazil), (292 Brazil), (297 Brazil), (298 Brazil), (299 Brazil), 415, (425 2WD >238493), (425 4WD >237827), (435 2WD >236860), (435 4WD >236060), (440 2WD >236369), (440 4WD >236556), (445 2WD >B5035008), (445 4WD >236223), (460 2WD >239117), (460 4WD >236903), (465 4WD >236367), (475 4WD >238868), (481 Japan Only), (492 Japan Only)
*29	S.107364 Oscillator - Hydraulic Pump	1681790M91	(250X Brazil), (265 Brazil), (275 Brazil), (283 Brazil), (290 Brazil), (292 Brazil), (297 Brazil), (298 Brazil), (299 Brazil), 415, (425 2WD >238493), (425 4WD >237827), (435 2WD >236860), (435 4WD >236060), (440 2WD >236369), (440 4WD >236556), (445 2WD >B5035008), (445 4WD >236223), (460 2WD >239117), (460 4WD >236903), (465 4WD >236367), (475 4WD >238868), (481 Japan Only), (492 Japan Only)
*30	S.107359 Pipe - Hydraulic Filter	1671633M1	(250X Brazil), (265 Brazil), (275 Brazil), (283 Brazil), (290 Brazil), (292 Brazil), (297 Brazil), (298 Brazil), (299 Brazil), 415, (425 2WD >238493), (425 4WD >237827), (435 2WD >236860), (435 4WD >236060), (440 2WD >236369), (440 4WD >236556), (445 2WD >B5035008), (445 4WD >236223), (460 2WD >239117), (460 4WD >236903), (465 4WD >236367), (475 4WD >238868), (481 Japan Only), (492 Japan Only)

MF07

Auxiliary Pump, Filters & Related Components

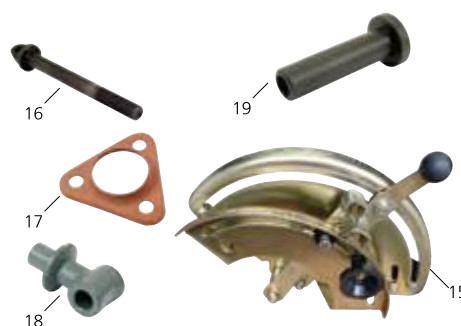
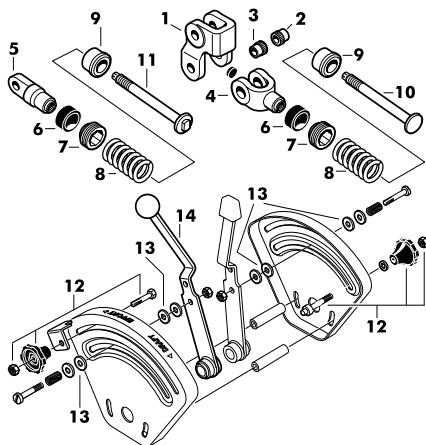
For complete product range...

* indicates there is no picture available at time of print



MF07

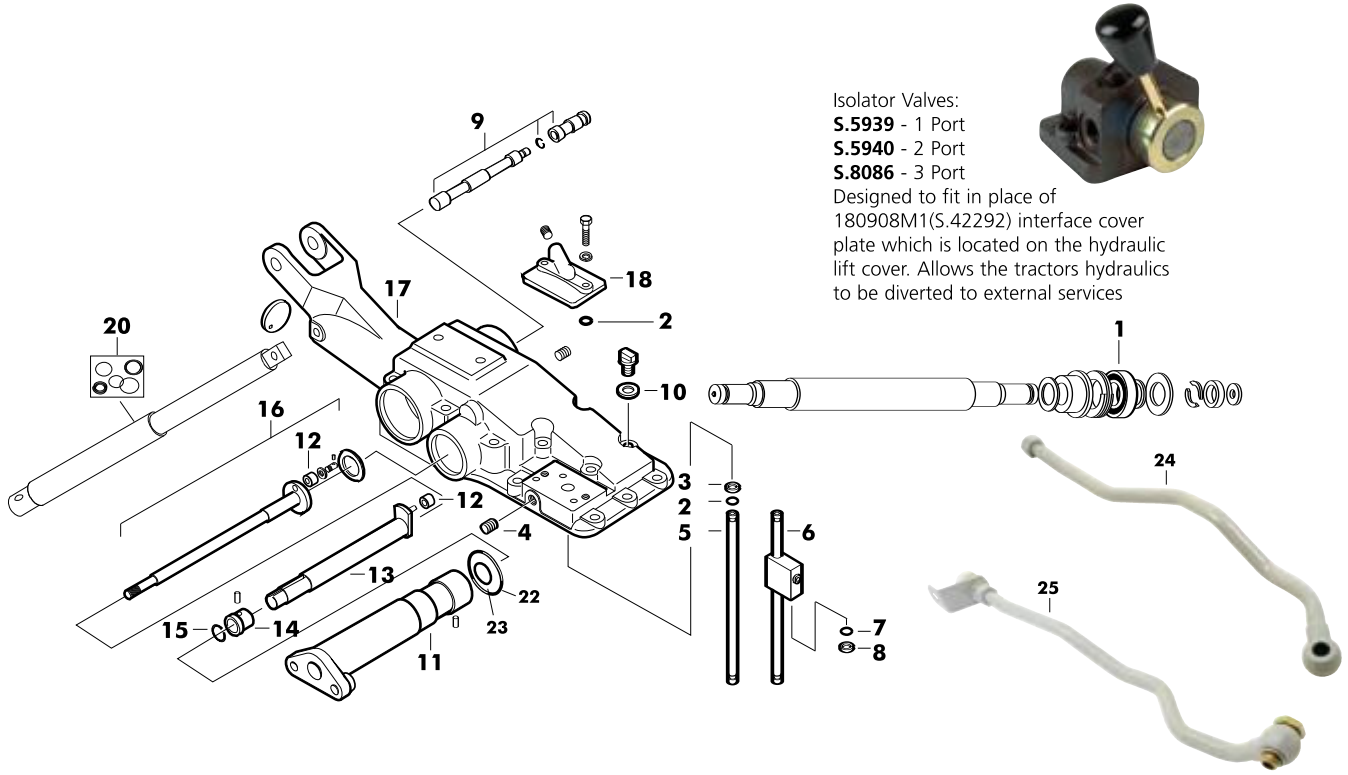
	Description	OEM Ref:	Applications
1	S.40873 Hydraulic Pump - Auxiliary Hydraulic Pump - Auxiliary	886821M94	133, 135 (E) 140, 148, 150, 152, 155, 158, 165, 168, 172, 175, 178, 185, 188, 230, 235, 240, 245, 250, 255, 260, 265, 275, 285, 290, 550, 560, 565, 575, 590, 595, 675, 690, 698 (T), 1080, 1200, 1250
2	S.40874 Hydraulic Pump - Auxiliary Two Inlets 12 spline	1686766M91	133, 135 (E), 140, 148, 150, 152, 155, 158, 165, 168, 172, 175, 178, 185, 188, 230, 235, 240, 245, 250, 255, 260, 265, 275, 285, 290, 550, 560, 565, 575, 590, 595, 675, 690, 698 (T), 1080, 1200, 1250
3	S.40875 Hydraulic Pump - Auxiliary Single inlet (S.40874 complete with S.60256 plug), 12 spline	1686765M91	133, 135 (E), 140, 148, 150, 152, 155, 158, 165, 168, 172, 175, 178, 185, 188, 230, 235, 240, 245, 250, 255, 260, 265, 275, 285, 290, 550, 560, 565, 575, 590, 595, 675, 690, 698, 698T, 1080, 1200, 1250
3a	S.41514 Seal Kit - Auxiliary Pump	1633110M91	
4	S.60256 Plug - Port Blank Off (c/w O'Ring)	1664509M1	133, 140, 135 (E), 135, 150, 152, 165, 168, 175, 178, 185, 188, 230, 240, 250, 265, 275, 285, 290, 550, 565, 575, 590, 595, 675, 690, 1080, 1200, 1250
5	S.1918 O'Ring - 3/32" x 1/2"	3000417X1	
6	S.60961 Hexagon Nut - 3/8" UNF Without groove	1871659M1 1871660M1	133, 135 (E), 140, 150, 152, 158, 165, 168, 175, 178, 185, 188, 230, 240, 250, 265, 275, 285, 290, 550, 565, 575, 590, 595, 675, 690, 1080, 1200, 1250,
7	S.60962 Hexagon Nut - 3/8" UNF With groove		
8	S.40881 Filter - Oil Cooler (113.5 x 44.45mm)	191855M4	(135>447440), (165>542059), (175, 178>719434) Industrial 50B, 50D
9	S.40882 Filter - Oil Cooler (87 x 45 x 16mm)	1862918M91	135, 148, 168, 175, 178, 185, 188
10	S.40884 Filter - Oil Cooler (152 x 71.7mm)	1810539M91	(135, 148, 152, 165, 168, 175, 178, 185, 188 Micronic Filtration), 240, 250, 265, 275, 285, 290, 550, 565, 575, 590, 595, 1080, 1200, 1250
11	S.42143 Auxilliary Pump - Tandem Pump - Tandem	3597706M91, 3701005M91	174F, 184F, 194F, 362 (N), 365, 372 (N), 375, 382 (N), 390 (T), 398
11a	S.42942 Seal Kit - Hydraulic Pump (Sunstrand/Turola)	1811092M91	(362>C091166), (362N>02/94), (365>C09166), (372N>02/94), 374, (375 C09166), 376, (382N>02/94), 384, (384F>08/94), (384FQ, SQ 10/93>), (390, 390T>C09166), 394, (394F>08/94), (394FQ, SQ 10/93>), 396, (398>C09166), (399>C09039)
12	S.42172 Auxiliary Pump - Tandem Pump - Tandem	3382280M1, 3616060M1	3050, 3060, 3065, 3070, 3075, 3080, 3085, 3090, 3095, 3115, 3120 (T), 3125, 3140, 3150, 6110, 6120, 6130, 6140, 6150, 6160, 6170, 6180, 6190, 6235, 6245, 6255, 6260, 6265, 6270, 6280, 6290
12a	S.43532 Seal Kit - Hydraulic Pump (Bosch)	3100439M91, 3104971M91, F27994005000, F716100490120	174F, 184F, 194F, (265S 01/99>), (275 Turkish Build), (285S 01/99>), (290 Turkish Build), 353, 354, 356CF, 362, 362N, 363, 363S, 364, 365, 366CF, 367CF, 372N, 373, 374, 375, 376, 377, 382N, 383, 384, 390, 390T, 393, 394, 396, 397, 397T, 398, 399, 1007, (2640 4WD>271212), 3050, 3060, 3065, 3070, 3075, 3080, 3085, 3090, 3095, 3115, 3120, 3125, 4215, 4220, 4225, 4235, 4240, 4245, 4255, 4260, 4265, 4270, 4315, 4320, 4325, 4335, 4360, 4365, 4370, 5335, 5340, 4355, 5360, 5365, 5425, 5435, 5445, 5455, 5460, 5465, 6120, 6130, 6140, 6150, 6160, 6170, 6180, 6190, 6235, 6245, 6255, 6260, 6265, 6270, 6280, 6290, 6445, 6455, 6460, 6465, 6470, 6475, 6480, 6485, 6490, 6495 Combines 507, 7242 (8110, 8120, 8130, 8140, 8150, 8160 G182203>)
13	S.42964 Hydraulic Pump	3038730M2, 3790722M91	273, 274, 283, 284, 293, 294, (373>P06076), (377>P04064), (383>P06076), (387>P04064), (393>P06076), (397>P04064)
14	S.62216 Hydraulic Pump (Lift + Steering) (Clockwise rotation - 18L/min)	3539857M91, 1424599M91	134C, 134V, 154, 154C, 154V, 164TV, 174, 233, 234C, 234CF, 234S, 244CF, 253, 254, 254C, 254CF, 254S, 263T, 264T, 264TCF, 264TS, 333, (353, 363>P06076), 364CF, (373, 387, 397>P04064)
15	S.59130 Hydraulic Pump A18X	3539858M91, 1825210M91	265 (Brazil), 275 (Brazil), 283 (Brazil), 292 (Brazil), 440, (425 2WD >238493), (425 4WD >237827), (435 2WD >236380), (435 4WD >236060), (440 2WD >236369), (440 4WD >236556), (445 2WD >85035008), (445 4WD >236226), (460 2WD >239117), (460 4WD >236903), (492 (Japan Only))
*16	S.43590 Hydraulic Pump	052107T1	



	Description	OEM Ref:	Applications
1	S.41364 Draft Control - Rocker Link	180973M2	35, 35X, 65, 765, (133, 140, 135E, 135, 148, 152, 165, 230, 240, 340 Normal Duty) Industrial (20C Normal Duty)
2	S.41480 Bush - Rocker Link (Plain)	181982M1	35, 35X, 65, 765, (133, 140, 135E, 135, 148, 152, 165, 175, 178, 230, 240, 340 Normal Duty) Industrial (20C Normal Duty)
3	S.41481 Bush - Rocker Link (Slotted)	180974M1	35, 35X, 65, 765, (133, 140, 135E, 135, 148, 152, 165, 175, 178, 230, 240, 340 Normal Duty) Industrial (20C Normal Duty)
4	S.41365 Clevis - Draft Control	180972M2	35, 35X, 65, 765, (133, 140, 135E, 135, 148, 152, 165, 175, 178, 230, 240, 340 Normal Duty) Industrial (20C Normal Duty)
5	S.41366 Clevis - Draft Control	1863386M1	(133, 140, 135E, 135, 148, 152 Heavy Duty), 158, (165 Heavy Duty), 168, (175, 178 Heavy Duty), 185, 188, (230, 240 Heavy Duty), 250, 265, 275, 285, 290, 298, 340 (Heavy Duty), 342, 350, 352, 355, 360, 362, 365, 372, 375, 382, 390, 390T, 39, 399, 550, 565, 575, 590, 675, 690, 698, 698T, 699 Industrial (20C Heavy Duty), 20D, 20E, 20F, 30B, 30D, 30E, 40B, 40E, 50, 50C, 50E/EX
6	S.41368 Rubber Boot - Draft Control	887654M1, 1660439M1	35, 35X, 65, 133, 140, 135E, 135, 148, 152, 158, 165, 175, 178, 185, 188, 230, 240, 250, 253, 265, 275, 285, 290, 298, 340, 342, 350, 352, 355, 360, 362, 365, 372, 375, 382, 385, 390, 390T, 398, 399, 550, 565, 575, 590, 595, 675, 690, 698, 698T, 699, 765, 1080, 1200, 1250 Industrial 20C, 20D, 20F, 30B, 30D, 30E, 40B, 40E, 50, 50C, 50E/EX
7	S.41369 Nut - Draft Control	180979M1	35, 35X, 65, 133, 140, 135E, 135, 148, 152, 158, 165, 175, 178, 185, 188, 230, 240, 250, 253, 265, 275, 285, 290, 298, 340, 342, 350, 352, 355, 360, 362, 365, 372, 375, 382, 385, 390, 390T, 398, 399, 550, 565, 575, 590, 595, 675, 690, 698, 698T, 699, 765, 1080, 1200, 1250 Industrial 20C, 20D, 20F, 30B, 30D, 30E, 40B, 40E, 50, 50C, 50E/EX
8	S.41428 Spring - Draft Control	182582M1	35, 35X, 65, 133, 140, 135E, 135, 148, 152, 158, 165, 175, 178, 185, 188, 230, 240, 250, 253, 265, 275, 285, 290, 298, 340, 342, 350, 352, 355, 360, 362, 365, 372, 375, 382, 385, 550, 565, 575, 590, 675, 765 Industrial 20C, 20D, 20F, 30B, 30D, 30E, 40B, 40E, 50, 50C, 50E/EX
9	S.42010 Plunger Seat - Draft Control Supercedes S.41367	886351M1	(133, 140, 135E, 135, 148, 152 Heavy Duty), 158, (165 Heavy Duty), 168, (175, 178 Heavy Duty), 185, 188, (230, 240 Heavy Duty), 250, 265, 275, 285, 290, 298, 340 (Heavy Duty), 342, 350, 352, 355, 360, 362, 365, 372, 375, 382, 390, 390T, 39, 399, (415), (425 2WD >238493), (425 4WD >237827), (435 2WD >236860), (435 4WD >236060), (440 2WD >236369), (440 4WD >236556), (445 2WD >BS035008), (445 4WD >236223), (460 2WD >239117), (460 4WD >236903), (465 4WD >236367), (475 4WD >238868), 550, 565, 575, 590, 675, 690, 698, 698T, 699 Industrial (20C Heavy Duty), 20D, 20E, 20F, 30B, 30D, 30E, 40B, 40E, 50, 50C, 50E/EX
10	S.3350 Plunger - Draft Control	182580M1	35, 35X, 65, 765
10	S.3351 Plunger - Draft Control	898136M1	(133, 140, 135E, 135, 148, 152, 165, 175, 178 Normal Duty)
11	S.60051 Plunger - Draft Control	886348M2	(133, 140, 135E, 135, 148, 152 Heavy Duty), 158, (165 Heavy Duty), 168, (175, 178 Heavy Duty), 185, 188, 230, 240, 250, 265, 275, 285, 290, 298, 340, 342, 350, 352, 355, 360, 362, 365, 372, 375, 382, 390, 390T, 398, 399, (415), (425 2WD >238493), (425 4WD >237827), (435 2WD >236860), (435 4WD >236060), (440 2WD >236369), (440 4WD >236556), (445 2WD >BS035008), (445 4WD >236223), (460 2WD >239117), (460 4WD >236903), (465 4WD >236367), (475 4WD >238868) 550, 565, 575, 590, 675, 690, 698, 698T, 699, 1200, 1250 Industrial 20C, 20D, 20F, 30B, 30D, 30E, 40B, 40E, 50, 50C, 50E/EX
12	S.41565 Knob - Comes with stud pin and CHS bolt	1860403M1 + 898201M1	35, 35X, 65, 133, 140, 135E, 135, 148, 152, 158, 165, 175, 178, 185, 188, 230, 240, 250, 253, 265, 275, 285, 290, 298, 340, 342, 350, 352, 355, 360, 362, 365, 372, 375, 382, 385, 390, 390T, 398, 399, 550, 565, 575, 590, 595, 675, 690, 698, 698T, 699, 765, 1080, 1200, 1250 Industrial 20C, 20D, 20F, 30B, 30D, 30E, 40B, 40E, 50, 50C, 50E/EX
13	S.42222 Washer - Nylon	181041M1	135, 145, 148, 155, 165, 165MKIII, 168, 175, 178, 185, 188, 230, 240
14	S.42695 Quadrant Lever	899274M1	135, 145, 148, 155, 165, 165MKIII, 168, 175, 178, 185, 188, 230, 240
15	S.43898 Quadrant Assembly - Hydraulic	-	35, 65
16	S.43759 Plunger	4257	TE20, TEA20, TED20, TEF20
17	S.43760 Support	1099	TE20, TEA20, TED20, TEF20
18	S.43761 Yoke	4258	TE20, TEA20, TED20, TEF20
19	S.43771 Seat Spring - Hydraulic Lift Cover	1005	TE20, TEA20, TED20, TEF20
20	S.1837 Lock Nut - 1/2 UNF Din No. 939B. Grade 8.8	344714X1, 353438X1	-
21	S.11700 Cap Head Socket Screw - 1/2" x 1 1/2" UNF Grade 12.9 (Self Colour)	358178X1	-

MF07

* indicates there is no picture available at time of print



Isolator Valves:
S.5939 - 1 Port
S.5940 - 2 Port
S.8086 - 3 Port

Designed to fit in place of 180908M1(S.42292) interface cover plate which is located on the hydraulic lift cover. Allows the tractors hydraulics to be diverted to external services

MF07

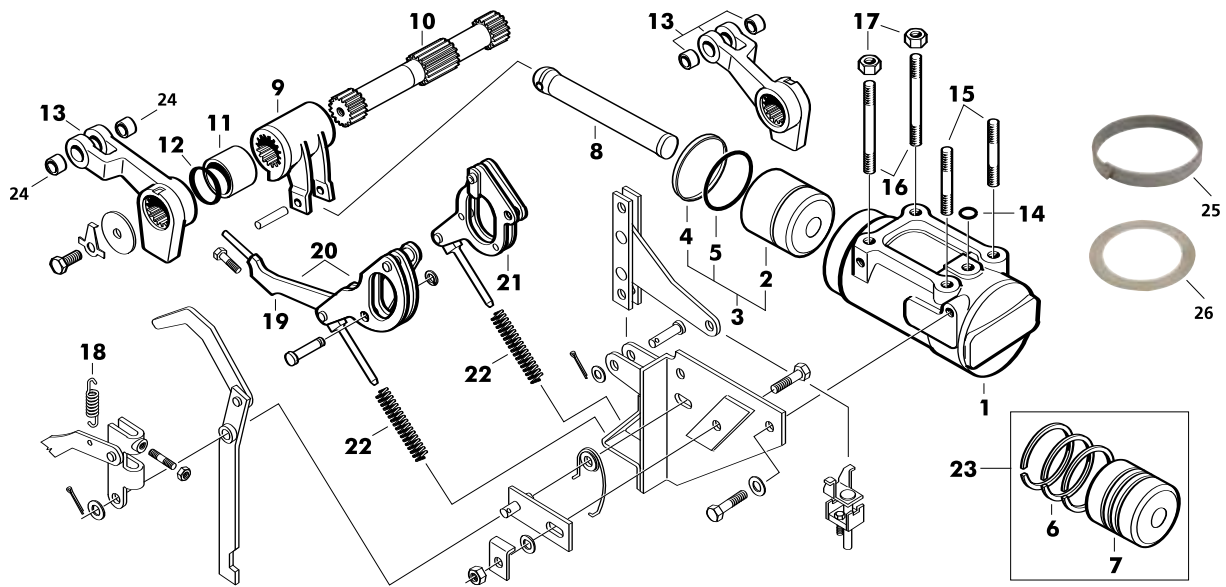
	Description	OEM Ref:	Applications
1	S.42160 Seal Response & Draft Control Shaft	3384311M91	2620, 2625, 2640, 2645, 2680, 2685, 2720, 2725
2	S.40876 O'Ring - Stack Pipe	195561M1	35, 35X, 65, 133, 140, 135E, 135, 148, 152, 158, 165, 175, 178, 185, 188, 230, 240, 250, 253, 265, 275, 285, 290, 298, 340, 342, 350, 352, 355, 360, 362, 365, 372, 375, 382, 385, 390, 390T, 398, 399, 550, 565, 575, 590, 595, 675, 690, 698, 698T, 699, 765, 1080, 1200, 1250 Industrial 20C, 20D, 20F, 30B, 30D, 30E, 40B, 40E, 50, 50C, 50E/EX
3	S.40877 PTFE Washer	195874M1	35, 35X, 65, 133, 140, 135E, 135, 148, 152, 158, 165, 175, 178, 185, 188, 230, 240, 250, 253, 265, 275, 285, 290, 298, 340, 342, 350, 352, 355, 360, 362, 365, 372, 375, 382, 385, 390, 390T, 398, 399, 550, 565, 575, 590, 595, 675, 690, 698, 698T, 699, 765, 1080, 1200, 1250 Industrial 20C, 20D, 20F, 30B, 30D, 30E, 40B, 40E, 50, 50C, 50E/EX
4	S.40872 Plug 3/8" NPT	825031M1	35, 35X, 65, 133, 140, 135E, 135, 148, 152, 158, 165, 175, 178, 185, 188, 230, 240, 250, 253, 265, 275, 285, 290, 298, 340, 342, 350, 352, 355, 360, 362, 365, 372, 375, 382, 385, 390, 390T, 398, 399, 550, 565, 575, 590, 595, 675, 690, 698, 698T, 699, 765, 1080, 1200, 1250 Industrial 20C, 20D, 20F, 30B, 30D, 30E, 40B, 40E, 50, 50C, 50E/EX
5	S.68408 Standpipe Length: 304mm	180906M1	(35>285029), (65>560018)
5	S.40878 Stack Pipe Length: 317mm (Early & Standard Flow Pumps)	898229M1	133, 140, 135E, 135, 145, 148, 152, 158, 165, 175, 178, 185, 188, 230, 240, 253, 275, 285, 290, 340, 342, 350, 352, 355, 360, 362, 365, 375, 385, 390, 390T, 595, 1080, 1200, 1250 Industrial 20C, 50
5	S.40879 Stack Pipe Length: 249mm (Later & High Flow Pumps)	1869119M1	133, 140, 135E, 135, 148, 152, 158, 165, 168, 175, 178, 185, 188, 250, 253, 265, 285, 298, 340, 342, 350, 352, 355, 360, 362, 365, 372, 375, 382, 385, 390, 390T, 398, 399, 550, 565, 575, 590, 595, 675, 690, 698, 698T, 699, 1004, 200-W, 500-W Industrial 20C, 20D, 20F, 30B, 30D, 30E, 40B, 40E, 50C, 50E/EX
6	S.40880 Stack Pipe Length: 317mm (Early Pumps with Pressure Control)	883788M91	133, 140, 135E, 135, 148, 152, 165, 168, 175, 178, 185, 188 Same as S.40878 for Tractors with Pressure Control
7	S.1903 O'Ring 1/16" x 5/16"	359291X1	133, 140, 135E, 135, 148, 152, 165, 168, 175, 178, 185, 188
8	S.41314 Washer - Back Up Ring	361160X1	133, 140, 135E, 135, 148, 152, 165, 168, 175, 178, 185, 188
9	S.41982 Shaft Pivot - Draft Control	898304M91	133, 140, 135E, 135, 148, 152, 158, 165, 175, 178, 185, 188, 230, 240, 250, 253, 265, 275, 285, 290, 298, 340, 342, 350, 352, 355, 360, 362, 365, 372, 375, 382, 385, 390, 390T, 398, 399, 550, 565, 575, 590, 595, 675, 690, 698, 698T, 699, 765, 1080, 1200, 1250
10	S.2808 Bonded Seal 3/8" BSP. Supercedes S.19255.	826238M1	35, 35X, 65, 133, 140, 135E, 135, 148, 152, 158, 165, 175, 178, 185, 188, 230, 240, 250, 253, 265, 275, 285, 290, 298, 340, 342, 350, 352, 355, 360, 362, 365, 372, 375, 382, 385, 390, 390T, 398, 399, 550, 565, 575, 590, 595, 675, 690, 698, 698T, 699, 765, 1080, 1200, 1250 Industrial 20C, 20D, 20F, 30B, 30D, 30E, 40B, 40E, 50, 50C, 50E/EX

	Description	OEM Ref:	Applications
11	S.42013 Support - Linkage Control Retained by Screw	1884283M1	(135>439191), (165>132849), 175, 178 Industrial 20C, 50
11	S.42014 Support - Linkage Control Retained by S.42700 pin	1870240M1	(135 439192>), 148, (165 132850>), 185, 188, 230, 240, 250, 253, 265, 275, 285, 290, 298, 340, 342, 350, 352, 355, 360, 362, 365, 372, 375, 382, 385, 390, 390T, 398, 399, (415), (425 2WD >238493), (425 4WD >237827), (435 2WD >236860), (435 4WD >236060), (440 2WD >236369), (440 4WD >236556), (445 2WD >B5035008), (445 4WD >236223), (460 2WD >239117), (460 4WD >236903), (465 4WD >236367), (475 4WD >238868), 550, 565, 575, 590, 675, 690, 698, 698T, 699, 1004, 1004T Industrial 20D, 20F, 30B, 30D, 30E, 40B, 40E, 50C, 50E/EX
11	S.42700 Support - Linkage Control	1869074M1	(135 439191>), 135E, 140, 148, 152, 152MKIII, 152E, 155, 158, 158MKIII, 158E, 168, 168MKIII, 168E, 185, 188, 230, 231, 235, 240, 240S, 245, 250, 253, 255, 260, 263, 265, 265S, 275, 285, 285S, 290, 298, 340, 342, 352, 355, 360, 362, 362N, 365, 372N, 375, 375E, 382N, 390, 390E, 390T, 396, 398, 399, 415, 435, 460, 465, 475, 550, 560, 565, 575, 590, 592, 595, 650, 660, 675, 690, 698, 698T, 699, 1004, 1004T, 1200, 1250, 4215, 4220, 4225, 4235, 4240, 4245, 4255, 4260, 4265, 4270, 4315, 4320, 4325, 4335, 4345, 4345S, 4360, 4365, 4370
12	S.41418 Roller - Linkage Control	898196M2	(133, 140, 135E, 135, 135MKIII, 145, 145MKIII, 148, 148MKIII, 152, 152MKIII, 152MKIII, 155, 158, 158MKIII, 165, 165 MKIII, 168, 168MKIII, 175, 178, 185, 188, 595, 1200 Models with Pressure Control), 230, 231, 235, 240, 243, 245, 250, 253, 255, 260, 260 XTRA, 261, 263, 265, 265 S, 268, 268 XTRA, 270, 275, 280, 285, 290, 298, 340, 342, 350, 352, 355, 360, 362, 365, 372, 375, 382, 385, 390, 390T, 396, 398, 399, 410, 420, 430, 435, 550, 560, 565, 575, 590, 592, 595, 595 MKII, 660, 675, 680, 690, 698, 698T, 699, 1004, 1004 T, 1080, 1085, 2605, 2615, 2625, 2635, 4215, 4220, 4225, 4235, 4240, 4245, 4255, 4260, 4265, 4270, 4315, 4320, 4325, 4335, 4345, 4345S, 4360, 4365, 4370 Industrial 20C, 20D, 20F, 20B, 30D, 30E, 40B, 40E, 50, 50C, 50E/EX
*12 a	S.107362 Quadrant Support Roller	898189M2	133, 135, 140, 152MKIII, 152, 155, 158, 158MKIII, 165, 165MKIII, 168, 168MKIII, 178, 178, 185, 188, 230, 231, 235, 240, 240 XTRA, 243, 245, 250, (250X Brazil), 253, 255, 260, 260 XTRA, 261, 263, (265 Brazil), 268, 268 XTRA, 270, (275 Brazil), 280, (283 Brazil), 285, (292 Brazil), (292 Brazil), (297 Brazil), (298 Brazil), (299 Brazil), 340, 342, 350, 352, 355, 360, 362, 365, 372, 375, 382, 390, 390 T, 396, 398, 399, 410, 415, 420, (425 2WD >238493), (425 4WD >237827), 430, (435 2WD >236860), (435 4WD >236060), (440 2WD >236369), (440 4WD >236556), (445 2WD >B5035008), (445 4WD >236223), (460 2WD >239117), (460 4WD >236903), (465 4WD >236367), (475 4WD >238868), 550, 560, 565, 575, 590, 660, 675, 680, 690, 698, 698 T, 699, 1004 T, 1004, 1200, 1250, 2605, 2615, 2625, 2635, 4215, 4220, 4225, 4235, 4240, 4245, 4255, 4260, 4265, 4270, 4315, 4320, 4325, 4335, 4345, 4355, 4360, 4365, 4370, 5335, 5340, 5355, 5360, 5365
13	S.43530 Shaft - Hydraulic Control	1870220M93	(135 439191>), (148 605410>), (152, 155, 158 Germany), (165, 168 132849>), (185 318745>), (188 361108>), (230, 235, 240, 245 With Pressure Control), (250 Norway Only), 265, 275, 285, 290, 298, 550, 560, 565, 575, 590, 675, 690, 698, 698T, 699, 1004, 1004T
13	S.43531 Shaft - Hydraulic Control	1870219M93	(135 439191>), (148 605410>), (152, 155, 158 Germany), (165 132849>), (230 With Pressure Control), 235, (240 Without Pressure Control), 243, (245, 250 Without Pressure Control), 253, 263, 265, (265S Early), 275, v285S Early), 290, 342, 350, 352, 355, 360, 362, 362N, 365, 372N, 375, 375E, 390, 390E, 390T, 398, 399, 415, 435, (440 4WD >236556), (445 2WD >B5035008), (445 4WD >236223), 460, 465, 475, 550, 560, 565, 575, 590, 675, 690, 698, 698T, 699
14	S.43536 Bush - Control Shaft	1870225M1	(135 439191>), (148 605410>), (152, 155, 158 Germany), (165, 168 132849>), (185 318745>), (188 361108>), (230 With Pressure Control), 231, (235 With Pressure Control), 240, 243, 245, (250 With Pressure Control), 253, 263, (255, 260 With Pressure Control), 261, 265, 275, 285, 290, 298, 340, 342, 350, 352, 355, 360, 362, 362N, 365, 372N, 375, 382N, 390, 390E, 390T, 398, 399, 415, (440 2WD >236369), (440 4WD >236556), (445 2WD >B5035008), (445 4WD >236223), 435, 460, 465, 475, 550, 560, 565, 575, 590, 675, 690, 698, 698T, 699, 1004, 1004T
15	S.43537 Ring - Control Shaft 4 1/64" x 3 3/64"	358945X1	(152, 155, 158 Later Models), (165 132849>), 230, 240, 231, 235, 240, 243, 245, 250, 253, 255, 260, 263, 265, 275, 285, 290, 298, 340, 342, 350, 352, 355, 360, 362, 362N, 365, 372N, 375, 382N, 390, 390e, 390T, 396, 398, 399, 415, 435, 460, 465, 470, 550, 560, 565, 575, 590, 660, 675, 680, 690, 698, 698T, 699, 1004, 1004T, 4215, 4220, 4225, 4235, 4240, 4245, 4255, 4260, 4265, 4270, 4315, 4320, 4325, 4335, 4345, 4355, 4360, 4365, 4370
16	S.43474 Shaft - Hydraulic Control	1870243M92	133, (135 439191>), 140, (148 605410>), 152, 155, 158 Germany), (165, 168 132849>), (185 318745>), 188 (361108>), (230 With Pressure Control), 231, (235 With Pressure Control), 240, 240 XTRA, 243, 245, (250 With Pressure Control), (250X Brazil), 253, 263, (255, 260 With Pressure Control), 260 XTRA, 261, 265, (265 Brazil), 268, 268 XTRA, 270, 275, (275 Brazil), 280, (283 Brazil), 285, 290, 290 XTRA, (290 Brazil), (292 Brazil), (297 Brazil), 298, (298 Brazil), (299 Brazil), 340, 342, 350, 352, 355, 360, 362, 362N, 365, 372N, 375, 382N, 390, 390E, 390T, 396, 398, 399, 415, 425, (425 2WD >238493), (425 4WD >237827), 435, (435 2WD >236860), (435 4WD >236060), 440, (440 2WD >236369), (440 4WD >236556), 445, (445 2WD >B5035008), (445 4WD >236223), 460, (460 2WD >239117), (460 4WD >236903), 465, (465 4WD >236367), 475, (475 4WD >238868), 550, 560, 565, 575, 590, 675, 690, 698, 698T, 699, 1004, 1004T, 2605, 2615, 2625, 2635
17	S.42293 Hydraulic Top Cover	1693551M91, 1693547M91	133, 135, 145, 152, 158, 168, 230, 231, 240, 250, 255, 260, 275, 290, 298, 575, 590, 675, 698, 698T, 1004, 1004T
18	S.42292 Cap - Hydraulic Top Cover	180908M1	35, 35X, 65, 122, 130, 133, 135, 140, 145, 148, 152, 155, 158, 165, 168, 175, 178, 185, 188, 230, 231, 235, 240, 245, 250, 253, 255, 260, 261, 265, 275, 290, 298, 340, 342, 350, 362, 362N, 365, 372N, 375, 390, 390T, 398, 399, 550, 560, 565, 590, 595, 675, 690, 698, 698T, 699, 1004, 1004T, 1085
19	S.42302 Draft Control Disc	180981M1	35, 35X, 65, 133, 135, 140, 145, 148, 152, 158, 165, 168, 175, 178, 185, 188, 230, 231, 235, 240, 245, 250, 253, 255, 260, 261, 265, 275, 290, 298, 340, 342, 350, 355, 360, 362, 362N, 375, 382N, 390, 390E, 390T, 396, 398, 399, 550, 560, 565, 575, 590, 592, 595, 675, 690, 698, 698T, 699, 1004, 1004T, 1080, 1085, 1200, 1250, 4215, 4220, 4225, 4235, 4245, 4255, 4260, 4265, 4275
20	S.43106 Seal Kit Back Bone Cylinder	1749662M92	398, 399, 592, 595, 698T, 699
21	S.107378 Hydraulic Cylinder Repair Kit (R/H)	3176568M91	(290 Brazil), (292 Brazil), (297 Brazil), (298 Brazil), (299 Brazil), (440 2WD >236369), (440 4WD >236556), (445 2WD >B5035008), (445 4WD >236223), (460 2WD >239117), (460 4WD >236903), (465 4WD >236367), (475 4WD >238868), (481 Japan Only), (492 Japan Only)
22	S.10329 O'Ring 1 1/16" x 1 3/4"	364281X1	100, 133, 135, 135 MKIII, 135 N.A., 135 V, 140, 145, 145 MKIII, 145 V, 145 V/S, 148, 148 MKIII, 152, 152 F, 152 MKIII, 152 MKIII, 152 V/S, 155, 158, 158 MKIII, 158 F, 158 S, 158 V, 165, 165 MKIII, 168, 168 MKIII, 168 F, 168 S, 175, 175 S, 178, 185, 188, 230, 231, 235, 240, 240 S, 240 XTRA, 243, 245, 250, (250X Brazil), 253, 255, 260, 260 XTRA, 261, 263, (265 Brazil), 265 S, 268, 268 XTRA, 270, 275, (275 Brazil), 280, (283 Brazil), 285, 285 S, 290, (290 Brazil), (292 Brazil), (297 Brazil), (298 Brazil), (299 Brazil), 340, 342, 350, 352, 355, 360, 362, 362 N, 365, 372 N, 375, 375 E, 382 N, 390, 390 E, 390 T, 396, 398, 399, 410, 415, 420, (425 2WD >238493), (425 4WD >237827), 430, (435 2WD >236860), (435 4WD >236060), (440 2WD >236369), (440 4WD >236556), (445 2WD >B5035008), (445 4WD >236223), (460 2WD >239117), (460 4WD >236903), (465 4WD >236367), (475 4WD >238868), 550, 560, 565, 575, 590, 592, 595, 595 MKII, 650, 660, 675, 680, 690, 698, 698 T, 699, 1004, 1004 T, 1080, 1085, 1200, 1250, 2605, 2615, 2625, 2635, 3050, 3060, 3065, 3070, 3080, 3085, 3095, 3115, 3120, 3125, 3635, 3645, 3655, 3670, 3690, 4215, 4220, 4225, 4235, 4240, 4245, 4255, 4260, 4265, 4270, 4315, 4320, 4325, 4335, 4345, 4355, 4360, 4365, 4370, 5335, 5340, 5355, 5360, 5365, 6160, 6170, 6180, 6190, 8110, 8120, 8130, 8170, 8180, 8210, 8220, 8240, 8250, 8260, 8270, 8280
23	S.34493 O'Ring 18 x 2.5mm	832268M1	122, 130, 133, 135, 135 MKIII, 135 V, 140, 145, 145 V/S, 145 MKIII, 145 V, 148 MKIII, 152, 152 MKIII, 152 F, 152 MKIII, 152 V/S, 155, 158, 158 MKIII, 158 F, 158 S, 158 V, 165, 165 MKIII, 168, 168 MKIII, 168 F, 168 S, 178, 185, 188, 230, 231, 240, 240 S, 243, 245, 250, (250X Brazil), 253, 255, 260, 261, 263, (265 Brazil), 265 S, (275 Brazil), (283 Brazil), 285 S, (290 Brazil), (292 Brazil), (297 Brazil), (298 Brazil), (299 Brazil), 375 E, 390 E, 410, 415, 420, (425 2WD >238493), (425 4WD >237827), (435 2WD >236860), (435 4WD >236060), (440 2WD >236369), (440 4WD >236556), (445 2WD >B5035008), (445 4WD >236223), (460 2WD >239117), (460 4WD >236903), (465 4WD >236367), (475 4WD >238868), 675, 690, 698, 699, 1004, 1004 T, 1080, 2635, 4215, 4220, 4225, 4235, 4240, 4245, 4255, 4260, 4265, 4270, 4315, 4320, 4325, 4335, 4345, 4355, 4360, 4365, 4370, 5435, 5435, 5445, 5455, 5460, 5460 SA, 5465, 5470, 5470 SA, 5475, 5475 SA, 5480, 6445, 6455, 6460, 6465, 6470, 6475, 6480, 6485, 6490, 6495, 6497, 6499
24	S.44014 Pipe - Trailer Tipping	1676533M92	35, 35X, 135, 165, 175, 230, 240, 250, 253, 263, 265, 275, 290, 298, 375E, 390E
25	S.44060 Pipe Kit - Trailer Tipping	872189M92	35, 35X, 135, 165

MF07

	Description	OEM Ref:	Applications
1	S.61000 Cylinder - Hydraulic Lift 1/2" UNC Studs (3")	190859M1	35, 35X, 65, 765
1	S.40885 Hydraulic Lift Cylinder 3 1/8"	897560M3	135, 165, 230, 240, 245, 250, 550 Industrial 20C, 20D, 20F, 30E, (40E Without Cab), 50
1	S.41363 Cylinder - Hydraulic Lift 3 3/8"	1671082M1	158, 168, 175, 178, 185, 188, 265, 275, 285, 290, 565, 575, 590, 675, 690, 698, 698T, 699, 1200, 1250 Industrial 30B, 30D, 40B, (40E With Cab), 50C, 50E/EX
1	S.42220 Hydraulic Lift Cylinder 3 11/16" (Stud Size Front 9/16" Rear 5/8")	3599859M1	253, 275, 283, 290, 342, 350, 352, 355, 362, 362N, 365, 372, 372N, 375, 375E, 382N, 383, 390, 390E, 390T, 393, 396, 390
2	S.41360 Piston	1665737M1	133, 135E, 135, 140, 152, 165, 230, 240, 245, 250, 550 Industrial 20C, 20D, 20F, 30E, (40E Without Cab), 50
2	S.41361 Piston	1665738M1	158, 168, 175, 178, 185, 188, 265, 275, 285, 290, 565, 575, 590, 675, 690, 698, 698T, 699, 1200, 1250 Industrial 30B, 30D, 40B, (40E With Cab), 50C, 50E/EX
	S.107370 Piston - Hydraulic Cylinder	034604N1	(250X Brazil), (265 Brazil), (275 Brazil), (283 Brazil), (290 Brazil), (292 Brazil), (297 Brazil), (298 Brazil), (299 Brazil), (425 2WD >238493), (425 4WD >237827), (435 2WD >236860), (435 4WD >236060), (440 2WD >236369), (440 4WD >236556), (445 2WD >BS035008), (445 4WD >236223), (460 2WD >239117), (460 4WD >236903), (465 4WD >236367), (475 4WD >238868)
3	S.41358 Piston & Ring Set 3 1/8" Will replace early piston with cast rings	1665737M91	133, 135E, 135, 140, 152, 165, 230, 240, 245, 250, 550 Industrial 20C, 20D, 20F, 30E, (40E Without Cab), 50
3	S.41359 Piston & Ring Set 3 3/8" Will replace early piston with cast rings	1665738M91	158, 168, 175, 178, 185, 188, 265, 275, 285, 290, 565, 575, 590, 675, 690, 698, 698T, 699, 1200, 1250 Industrial 30B, 30D, 40B, (40E With Cab), 50C, 50E/EX,
3	S.42221 Piston - Hydraulic Cylinder Comes with rings	1693921M93	253, 275, 283, 290, 342, 350, 352, 355, 362, 362N, 365, 372, 372N, 375, 375E, 382N, 383, 390, 390E, 390T, 393, 396, 390,
4	S.41409 Seal - Hydraulic Piston 3 1/8"	2528204K1	135, 165, 230, 240, 245, 250, 340, 550 Industrial 20C, 20D, 20F, 30E, (40E Without Cab), 50
4	S.41410 Seal - Hydraulic Piston (3 3/8") (Fits later single groove piston)	2528202K1	158, 168, 175, 178, 185, 188, 265, 275, 285, 290, 565, 575, 590, 675, 690, 698, 698T, 699, 1200, 1250 Industrial 30B, 30D, 40B, (40E With Cab), 50C, 50E/EX
4	S.42223 Seal - Hydraulic Piston (3 11/16")	3761476M1	253, 275, 283, 290, 342, 350, 352, 355, 362, 362N, 365, 372, 372N, 375, 375E, 382N, 383, 390, 390E, 390T, 393, 396, 390
4	S.107374 Hydraulic Piston Seal	3412380M1	(250X Brazil), (265 Brazil), (275 Brazil), (283 Brazil), (290 Brazil), (292 Brazil), (297 Brazil), (298 Brazil), (299 Brazil), (425 2WD >238493), (425 4WD >237827), (435 2WD >236860), (435 4WD >236060), (440 2WD >236369), (440 4WD >236556), (445 2WD >BS035008), (445 4WD >236223), (460 2WD >239117), (460 4WD >236903), (465 4WD >236367), (475 4WD >238868)
5	S.41414 O'Ring - Hydraulic Piston 3 1/8"	2528204K1	135, 165, 230, 240, 245, 250, 340, 550 Industrial 20C, 20D, 20F, 30E, (40E Without Cab), 50
5	S.11510 O'Ring 3/16" x 2 3/4"	2528202K1	158, 168, 175, 178, 185, 188, 265, 275, 285, 290, 565, 575, 590, 675, 690, 698, 698T, 699, 1200, 1250 Industrial 30B, 30D, 40B, (40E With Cab), 50C, 50E/EX
5	S.6798 O'Ring	3761473M1	253, 275, 283, 290, 342, 350, 352, 355, 362, 362N, 365, 372, 372N, 375, 375E, 382N, 383, 390, 390E, 390T, 393, 396, 390
5	S.107372 O'Ring - Hydraulic Piston	3412140M1	(250X Brazil), (265 Brazil), (275 Brazil), (283 Brazil), (290 Brazil), (292 Brazil), (297 Brazil), (298 Brazil), (299 Brazil), (425 2WD >238493), (425 4WD >237827), (435 2WD >236860), (435 4WD >236060), (440 2WD >236369), (440 4WD >236556), (445 2WD >BS035008), (445 4WD >236223), (460 2WD >239117), (460 4WD >236903), (465 4WD >236367), (475 4WD >238868)
6	S.61589 Ring Set - Cast Iron	180898M1	TE20, TEA20, TED20, TEF20, TO20 (35>65684)
6	S.41848 Ring - Cast Iron 3"	184447M1	(35 65685>), 35X, 65, 765
6	S.41471 Ring - Cast Iron 3 1/8"	897564M1	133, 135E, 135, 140, 148, 152, 165, 230, 240, 245, 250, 550 Industrial 20C, 20D, 20F, 30E, (40E Without Cab), 50
6	S.41472 Ring - Cast Iron 3 3/8"	897597M1	158, 168, 175, 178, 185, 188, 265, 275, 285, 290, 565, 575, 590, 675, 690, 698, 698T, 699, 1200, 1250 Industrial 30B, 30D, 40B, (40E With Cab), 50C, 50E/EX
6	S.42231 Piston Ring - Hydraulic Cylinder	516575M1	592, 595, 1080

MF07



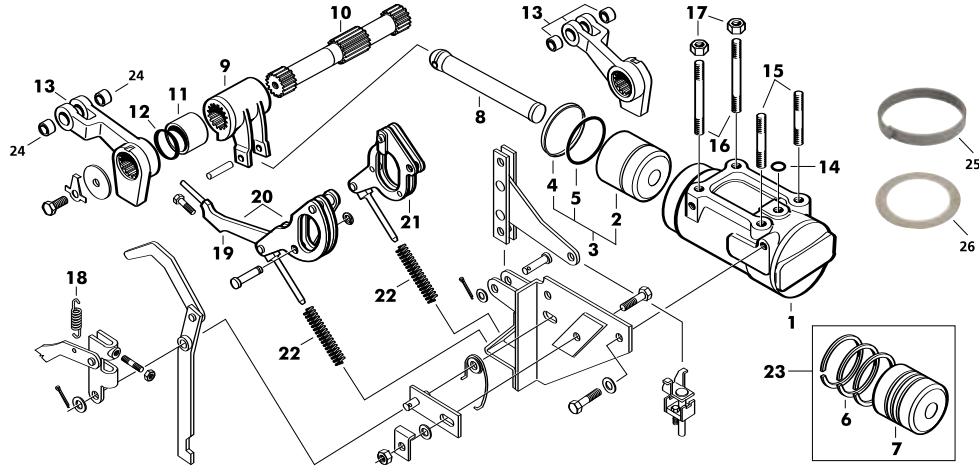
	Description	OEM Ref:	Applications
7	S.61001 Piston - Hydraulic Cylinder (3")	184443M1	35, 35X, 65, 765
7	S.42173 Piston - Hydraulic Cylinder (3 3/8")	899596M1	158, 168, 175, 178, 185, 188, 265, 275, 285, 290, 565, 575, 590, 675, 690, 698, 698T, 699, 1200, 1250 Industrial 30B, 30D, 40B, (40E With Cab), 50C, 50E/EX
8	S.41445 Con Rod	886410M1	133, 135E, 135, 140, 148, 152, 158, 168, 175, 178, 185, 188, 265, 275, 285, 290, (415), (425 2WD >238493), (425 4WD >237827), (435 2WD >236860), (435 4WD >236060), (440 2WD >236369), (440 4WD >236556), (445 2WD >B5035008), (445 4WD >236223), (460 2WD >239117), (460 4WD >236903), (465 4WD >236367), (475 4WD >238868), 565, 575, 590, 595, 675, 690, 698, 698T, 699, 1080, 1200, 1250 Industrial 20C, 20D, 20F, 30B, 30D, 30E, 40B, 40E, 50C, 50E/EX
9	S.41446 Lift Arm - Lift Shaft	180970M2	35, 35X, 65, 765
9	S.41470 Lift Arm - Lift Shaft	886405M2, 888114M1, 897568M1	133, 135E, 135, 140, 148, 152, 165, 230, 240, 245, 250, 550 Industrial 20C, 20D, 20F, 30E, (40E Without Cab), 50
9	S.41447 Lift Arm - Lift Shaft	886404M2	158, 168, 175, 178, 185, 188, 265, 275, 285, 290, (425 2WD >238493), (425 4WD >237827), (435 2WD >236860), (435 4WD >236060), (440 2WD >236369), (440 4WD >236556), (445 2WD >B5035008), (445 4WD >236223), (460 2WD >239117), (460 4WD >236903), (465 4WD >236367), (475 4WD >238868), 565, 575, 590, 595, 675, 690, 698, 698T, 699, 1080, 1200, 1250 Industrial 30B, 30D, 40B, 40E (With Cab), 50C, 50E/EX
10	S.41356 Shaft - Lift	184359M2	35, 35X, 65, 765, 354, 122, 203
10	S.41357 Shaft - Lift 50 Spline	897567M3, 899149M3	133, 135E, 135, 140, 152, 158, 165, 168, 175, 178, 185, 188, 205, (235 Brazil), (250X Brazil), (265 Brazil), (275 Brazil), (283 Brazil), 285, (290 Brazil), (292 Brazil), (295 Brazil), (296 Brazil), (297 Brazil), (298 Brazil), (299 Brazil), 340, 342, 350, 352, 355, 360, 362, 365, 372, 375, 382, 390, 390T, 398, 399, (410/420), (415), (425 2WD >238493), (425 4WD >237827), (435 2WD >236860), (435 4WD >236060), (440 2WD >236369), (440 4WD >236556), (445 2WD >B5035008), (445 4WD >236223), (460 2WD >239117), (460 4WD >236903), (465 4WD >236367), (475 4WD >238868), 565, 575, 590, 595, 675, 690, 698, 698T, 699, 765, 1080, 1200 Industrial 20C, 20D, 20F, 30B, 30D, 30E, 40B, 40E, 50C, 50E/EX
11	S.41425 Bush - Lift Shaft (2.37" x 2" x 1.41")	181018M1	35, 35X, 65, 765
11	S.41376 Bush - Lift Shaft (2.37" x 2.18" x 2.85")	886029M1, 1870934M1	23, 30, 40, 50 Series, 133, 135E, 135, 140, 148, 152, 158, 165, 168, 175, 178, 185, 188, 265, 275, 285, 290, 340, 342, 350, 352, 355, 360, 362, 365, 372, 375, 382, 390, 390T, 398, 399, 565, 575, 590, 595, 675, 690, 698, 698T, 699, 1080, 1200 Industrial 20C, 20D, 20F, 30B, 30D, 30E, 40B, 40E, 50, 50C, 50E/EX
11	S.43473 Bush - Cross Shaft	3611558M1	(230 P51120>), (240 A20287>), 2405, (243 Heavy Duty), 253, 2655, 2855, (275, 290 P12018>), (340 P51049>), 342, (350 P51120), 352, (355, 360 P51120>), 362, 362N, (365, 372N, 375 P51120>), 375E (P12018>), 382N, (390 P51120>), (390E P12018>), (390 P51120>), 396, (398, 399 P51120>), 415, 425, (425 2WD >238493), (425 4WD >237827), 435, (435 2WD >236380), (435 4WD >236060), (440 2WD >236369), (440 4WD >236556), (445 2WD >B5035008), (445 4WD >236223), (460 2WD >239117), (460 4WD >236903), 460, 465, (465 4WD >236367), (492 Japan Only), 650, (650 BR for EAME), 660, 680, (4225/4235/4240 >K37009), (4245/4255 K37009>), (4260/4270 K37009>), 4265/4365, 4315/4320, 4325/4335, 4345/4355, 4360/4370, 5335, 5340, 5355, 5360, 5365
12	S.1955 O'Ring 3/16" x 2"	195565M1	35, 35X, 65, 765
12	S.1948 O'Ring 1/8" x 2 1/8"	359136X1	133, 135E, 135, 140, 148, 152, 158, 165, 168, 175, 178, 185, 188, 265, 275, 285, 290, 340, 342, 350, 352, 355, 360, 362, 365, 372, 375, 382, 390, 390T, 398, 399, 565, 575, 590, 595, 675, 690, 698, 698T, 699, 1080, 1200 Industrial 20C, 20D, 20F, 30B, 30D, 30E, 40B, 40E, 50, 50C, 50E/EX
12	S.12847 O'Ring - 3 x 54mm	033928T1	(250X Brazil), (265 Brazil), (275 Brazil), (283 Brazil), (290 Brazil), (292 Brazil), (297 Brazil), (298 Brazil), (299 Brazil), 415, (425 2WD >238493), (425 4WD >237827), (435 2WD >236860), (435 4WD >236060), (440 2WD >236369), (440 4WD >236556), (445 2WD >B5035008), (445 4WD >236223), (460 2WD >239117), (460 4WD >236903), (465 4WD >236367), (475 4WD >238868), 650, 660, 680
13	S.42171 Lift Arm 5/8" Pin (37 Splines)	180910M1	TE20, TEA20, TED20, TEF20, TO20, TO30, 35, 35X, 65, 135 (Early Models with 3" Diameter Lift Cylinder)
13	S.41354 Lift Arm 5/8" Pin (Without Holes) 50 spline	885444M91	133, 135E, 135, 140, 148, 152, (165 Normal Duty), 230, 240, 250, (340 Normal Duty), 550 Industrial 20C, 20D, 20F, 30E, 40E
13	S.41355 Lift Arm 7/8" Pin (With Hole for Auto Hitch Pin 50 Spline)	885447M1, 885448M1, 1680040M91	(165 Heavy Duty), 168, 175, 185, 188, 265, 275, 285, 290, 298, (340 Heavy Duty), 342, 350, 352, 355, 360, 362, 365, 372, 375, 382, 390, 390T, 398, 398T, 399, 565, 575, 590, 675, 690, 698, 698T, 699 Industrial 30E, 40E, 50, 50C, 50E/EX
13	S.107379 Lift Arm	3408250M1	(250X Brazil), (265 Brazil), (275 Brazil), (283 Brazil), (290 Brazil), (292 Brazil), (297 Brazil), (298 Brazil), (299 Brazil), (415), (425 2WD >238493), (425 4WD >237827), (435 2WD >236860), (435 4WD >236060), (440 2WD >236369), (440 4WD >236556), (445 2WD >B5035008), (445 4WD >236223), (460 2WD >239117), (460 4WD >236903), (465 4WD >236367), (475 4WD >238868)

MF07

Hydraulic Lift Cylinder & Related Components

For complete product range...

* indicates there is no picture available at time of print








	Description	OEM Ref:	Applications
14	S.1917 O'Ring 3/32" x 7/16"	195562M1	133, 135E, 135, 140, 152, 158, 165, 168, 175, 178, 185, 188, 265, 273, 285, 290, 340, 342, 350, 352, 355, 360, 362, 365, 372, 375, 382, 390, 390T, 398, 399, 565, 575, 590, 595, 675, 690, 698, 698T, 699, 765, 1080, 1200 Industrial 20C, 20D, 20F, 30B, 30D, 30E, 40B, 40E, 50C, 50E/EX
15	S.41621 Stud (9/16" x 3" UNF)	899258M1, 1667580M2	133, 135, 135E, 140, 152, 158, 165, 168, 175, 178, 185, 188, 265, 275, 285, 290, 340, 342, 350, 352, 355, 360, 362, 365, 372, 375, 382, 390, 390T, 398, 399, (415), (425 2WD >238493), (425 4WD >237827), (435 2WD >236860), (435 4WD >236060), (440 2WD >236369), (440 4WD >236556), (445 2WD >B5035008), (445 4WD >236223), (460 2WD >239117), (460 4WD >236903), (465 4WD >236367), (475 4WD >238868), 565, 575, 590, 595, 675, 690, 698, 698T, 699, 765, 1080, 1200 Industrial 20C, 20D, 20F, 30B, 30D, 30E, 40B, 40E, 50C, 50E/EX
15	S.107373 Stud - Hydraulic Cylinder (Short)	1481941M2	(250X Brazil), (265 Brazil), (275 Brazil), (283 Brazil), (290 Brazil), (292 Brazil), (297 Brazil), (298 Brazil), (299 Brazil), 415, (425 2WD >238493), (425 4WD >237827), (435 2WD >236860), (435 4WD >236060), (440 2WD >236369), (440 4WD >236556), (445 2WD >B5035008), (445 4WD >236223), (460 2WD >239117), (460 4WD >236903), (465 4WD >236367), (475 4WD >238868)
16	S.41620 Stud (9/16" x 4" UNF)	899257M1, 1667579M2	133, 135, 135E, 140, 152, 158, 165, 168, 175, 178, 185, 188, 265, 275, 285, 290, 565, 575, 590, 595, 675, 690, 698, 698T, 699, 765, 1080, 1200 Industrial 20, 20C, 20D, 20F, 30B, 30D, 30E, 40B, 40E, 50C, 50E/EX
17	S.1031 Hexagon Nut 9/16" UNF. Din No. 934. Grade 8.8	368749X1	133, 135E, 135, 140, 152, 158, 165, 168, 175, 178, 185, 188, 265, 275, 285, 290, 340, 342, 350, 352, 355, 360, 362, 365, 372, 375, 382, 390, 390T, 398, 399, 565, 575, 590, 595, 675, 690, 698, 698T, 699, 1080, 1200 Industrial 20C, 20D, 20F, 30B, 30D, 30E, 40B, 40E, 50C, 50E/EX
18	S.41561 Spring - Draft Control	898137M1	133, 135E, 135, 140, 152, 158, 165, 168, 175, 178, 185, 188, 265, 275, 285, 290, 340, 342, 350, 352, 355, 360, 362, 365, 372, 375, 382, 390, 390T, 398, 399, 565, 575, 590, 595, 675, 690, 698, 698T, 699, 765, 1080, 1200 Industrial 20C, 20D, 20F, 30B, 30D, 30E, 40B, 40E, 50, 50C, 50E/EX
19	S.41560 Rod - Draft Control	898124M1	133, 135E, 135, 140, 152, 158, 165, 168, 175, 178, 185, 188, 265, 275, 285, 290, 340, 342, 350, 352, 355, 360, 362, 365, 372, 375, 382, 390, 390T, 565, 575, 590, 675, 690, 698, 698T, 699, 1200 Industrial 20C, 20D, 20F, 30B, 30D, 30E, 40B, 40E, 50, 50C, 50E/EX
20	S.41448 Draft Control Assembly (Includes Spring & S.41560 Rod)	1660324M91	133, 135, 135E, 140, 152, 158, 165, 168, 175, 178, 185, 188, 265, 275, 285, 290, 340, 342, 350, 352, 355, 360, 362, 365, 372, 375, 382, 390, 390T, (415), (435 2WD >238493), (435 4WD >236060), (460 2WD >239117), (460 4WD >236903), (465 4WD >236367), (475 4WD >238868), 565, 575, 590, 675, 690, 698, 698T, 699, 1200 Industrial 20C, 20D, 20F, 30B, 30D, 30E, 40B, 40E, 50, 50C, 50E/EX
21	S.41605 Response Control Assembly (Includes Spring)	1661918M91	133, 135, 135E, 140, 152, 158, 165, 168, 175, 178, 185, 188, 265, 275, 285, 290, 340, 342, 350, 352, 355, 360, 362, 365, 372, 375, 382, 390, 390T, (415), (425 2WD >238493), (425 4WD >237827), (435 2WD >236860), (435 4WD >236060), (440 2WD >236369), (440 4WD >236556), (445 2WD >B5035008), (445 4WD >236223), (460 2WD >239117), (460 4WD >236903), (465 4WD >236367), (475 4WD >238868), 565, 575, 590, 675, 690, 698, 698T, 699, 1200
22	S.42144 Spring - Response and Draft Control	898127M2, 1660323M1	133, 135, 135E, 140, 152, 158, 165, 168, 175, 178, 185, 188, 265, 275, 285, 290, 340, 342, 350, 352, 355, 360, 362, 365, 372, 375, 382, 390, 390T, 565, 575, 590, 675, 690, 698, 698T, 699, 1200 Industrial 20C, 20D, 20F, 30B, 30D, 30E, 40B, 40E, 50, 50C, 50E/EX
23	S.43019 Hydraulic Piston and Ring Piston Length = 82.64mm. To Fit Bore Ø76.17mm. No. of Rings = 3. (Hydraulic Piston)	5.61001+ 5.41848x3	(35, 35X 65685>), 65, (135 North America), 765, 835, 865
24	S.107380 Lift Arm Bush	885455M1	165, 168, 175, 178, 188, 230, 240, 240S, 250, (250X Brazil), 253, 260, 261, 263, 265, 265S, (265 Brazil), 275, (275 Brazil), (283 Brazil), 285, 285S, 290, (290 Brazil), (292 Brazil), (297 Brazil), 298, (298 Brazil), (299 Brazil), 340, 342, 350, 352, 355, 360, 362N, 365, 372N, 375, 375E, 382, 382N, 390, 390E, 390T, 396, 398, 399, 410, (415), (425 2WD >238493), (425 4WD >237827), (435 2WD >236860), (435 4WD >236060), (440 2WD >236369), (440 4WD >236556), (445 2WD >B5035008), (445 4WD >236223), (460 2WD >239117), (460 4WD >236903), (465 4WD >236367), (475 4WD >238868), (481 Japan Only), (492 Japan Only), 560, 565, 575, 590, 650, 675, 690, 698, 698T, 699, 1004, 1004T, 1080, 1085, 1200
25	S.107375 Ring - Hydraulic Cylinder	034615P1	(250X Brazil), (265 Brazil), (275 Brazil), (283 Brazil), (290 Brazil), (292 Brazil), (297 Brazil), (298 Brazil), (299 Brazil), (425 2WD >238493), (425 4WD >237827), (435 2WD >236860), (435 4WD >236060), (440 2WD >236369), (440 4WD >236556), (445 2WD >B5035008), (445 4WD >236223), (460 2WD >239117), (460 4WD >236903), (465 4WD >236367), (475 4WD >238868)
26*	S.107357 Shim 0.20"	2801012M1	(250X Brazil), (265 Brazil), (275 Brazil), (283 Brazil), (290 Brazil), (292 Brazil), (297 Brazil), (298 Brazil), (299 Brazil), 415, (425 2WD >238493), (425 4WD >237827), (435 2WD >236860), (435 4WD >236060), (440 2WD >236369), (440 4WD >236556), (445 2WD >B5035008), (445 4WD >236223), (460 2WD >239117), (460 4WD >236903), (465 4WD >236367), (475 4WD >238868)
26	S.107361 Shim 0.40"	2801013M1	(250X Brazil), (265 Brazil), (275 Brazil), (283 Brazil), (290 Brazil), (292 Brazil), (297 Brazil), (298 Brazil), (299 Brazil), 415, (425 2WD >238493), (425 4WD >237827), (435 2WD >236860), (435 4WD >236060), (440 2WD >236369), (440 4WD >236556), (445 2WD >B5035008), (445 4WD >236223), (460 2WD >239117), (460 4WD >236903), (465 4WD >236367), (475 4WD >238868)

MF07

 <p>Coupling - Dowty 1/2" BSP(Male)</p>	 <p>Dust Cap - Dowty</p>	 <p>Coupling - Exactor 1/2" BSP (Male)</p>	 <p>Dust Cap - Exactor Sterling</p>	 <p>Coupling - Dowty 3/8" BSP (Female)</p>
<p>S.2350 646670M91 To Fit All Models as Required 1/2" BSP (Dowty)</p>	<p>S.2352 646669M91 To Fit All Models as Required (Dowty)</p>	<p>S.2353 1884291M91 To Fit All Models as Required (Exactor) 1/2" BSP</p>	<p>S.2355 817630M1 To Fit All Models as Required (Exactor)</p>	<p>S.2351 646663M91 To Fit All Models as Required 1/2" BSP (Dowty)</p>

 <p>Coupling - Exactor 3/8" BSP (Female)</p>	 <p>Lock Nut - 1/2" BSP (Hydraulic Fitting Adaptor)</p>	 <p>Quick Release Coupling - Poppet Type (Male) Body Size = 1/2". Thread = 3/4" UNF</p>	 <p>Quick Release Coupling - Poppet Type (Female) Body Size = 1/2". Thread = 3/4" UNF</p>	 <p>Rigid Mounted Quick Release Coupling</p>
<p>S.2354 1884290M91 To Fit All Models as Required 3/8" BSP (Exactor)</p>	<p>S.4022 812560M1 To Fit All Models as Required 1/2" BSP</p>	<p>S.8904 1684473M1 To Fit All Models as Required 3/4" JIC</p>	<p>S.8905 1680263M1 To Fit All Models as Required 3/4" JIC</p> <p>Repair Kit S.42080 1441143X1 + 361168X1</p>	<p>S.3049 3794298M1 3410419M91 (265 Brazil), (275 Brazil), (283 Brazil), (290 Brazil), (292 Brazil), (297 Brazil), (298 Brazil), (299 Brazil) MF (415), (425 2WD >238493), (425 4WD >237827), (435 2WD >236860), (435 4WD >236060), (440 2WD >236369), (440 4WD >236556), (445 2WD >BS035008), (445 4WD >236223), (460 2WD >239117), (460 4WD >236903), (465 4WD >236367), (475 4WD >238868),</p> <p>Repair Kit S.42080 1441143X1 + 361168X1 Coupling Plug S.14065 3611673M1</p>

MF07

 <p>Quick Release Coupling Replacement Seals - Includes: S.42081 x 1, S.42082 x 1, S.1923 x 1, S.12229 x 1</p>	 <p>Seal Kit - Spool Valve</p>	 <p>Bonded Seal 3/8" BSP. Supercedes S.19255.</p>	 <p>Seal Kit - Spool Valve</p>	 <p>Quick Release Brake Coupling (Male) - M20 x 1.5mm</p>
<p>S.42080 1441143X1 + 361168X1 S.3049 300 Series 600 Series</p>	<p>S.42142 3477804M1 340, 342, 350, 352, 355, 360, 362, 362N, 365, 372N, 375, 382N, 390, 390T, 396, 398, 399</p>	<p>S.2808 826238M1 35, 35X, 65, 133, 140, 135E, 135, 148, 152, 158, 165, 175, 178, 185, 188, 230, 240, 250, 253, 265, 275, 285, 290, 298, 340, 342, 350, 352, 355, 360, 362, 365, 372, 375, 382, 385, 390, 390T, 398, 399, 550, 565, 575, 590, 595, 675, 690, 698, 698T, 699, 765, 1080, 1200, 1250 Industrial 20C, 20D, 20F, 30B, 30D, 30E, 40B, 40E, 50, 50C, 50E/EX</p>	<p>S.42993 1810805M92 230, (240 A20287>), 243, 253, 263, 265S, 275, 285S, 290, 340, 342, 352, 355, 360, 362, 362N, 365, 372N, 375, 375E, 385N, 390, 390E, 390T, 396, 398, 399, 4215, 4220, 4225, 4235, 4240, 4245, 4255, 4260, 4265, 4270, 4315, 4320, 4325, 4355, 4360, 4365, 4370, 5335, 5340, 5355, 5360, 5365</p>	<p>S.28311 3581307M2 353, 354F, 363, 364F, 373, 374F (>30/09/93), 374H (>30/09/93), 377, 383, 384F (>08/94), 387, 393, 394F (>08/94), 394H (>08/94), 397, 397T, 1007, 3050, 3060, 3065, 3070, 3075, 3080, 3085, 3090, 3095, 3115, 3120, 3125, 3610, 3630, 3635, 3645, 3650, 3655, 3670, 3680, 3690, 5425, 5435, 5445, 5455, 5460, 5465, 6120, 6130, 6140, 6150, 6160, 6170, 6180, 6190, 6235, 6245, 6255, 6260, 6265, 6270, 6280, 6290, 6445, 6455, 6460, 6465, 6470, 6475, 6480, 6495, 6497, 6499, 8110, 8120, 8130, 8140, 8150, 8160, 8170, 8180, 8210, 8220, 8240, 8250, 8260, 8270, 8280</p>