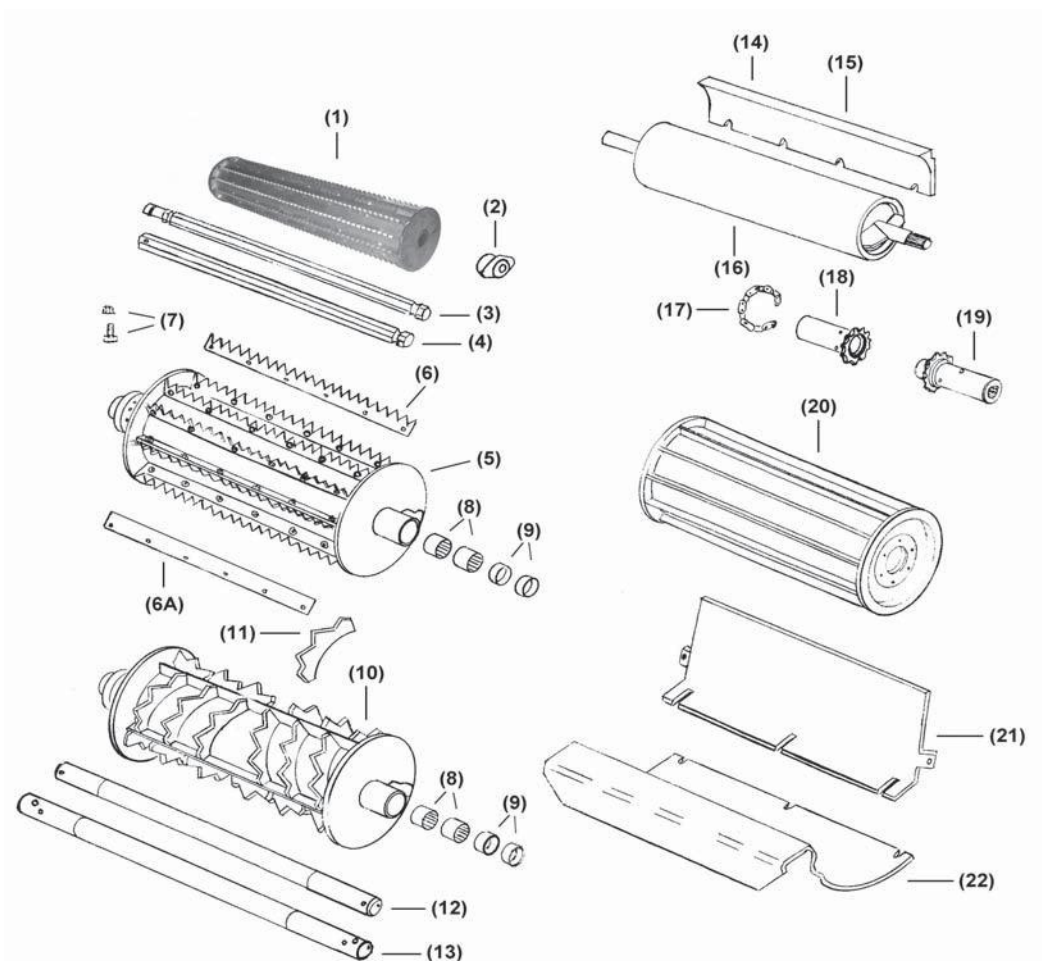


## FEEDROLLS AND RELATED PARTS

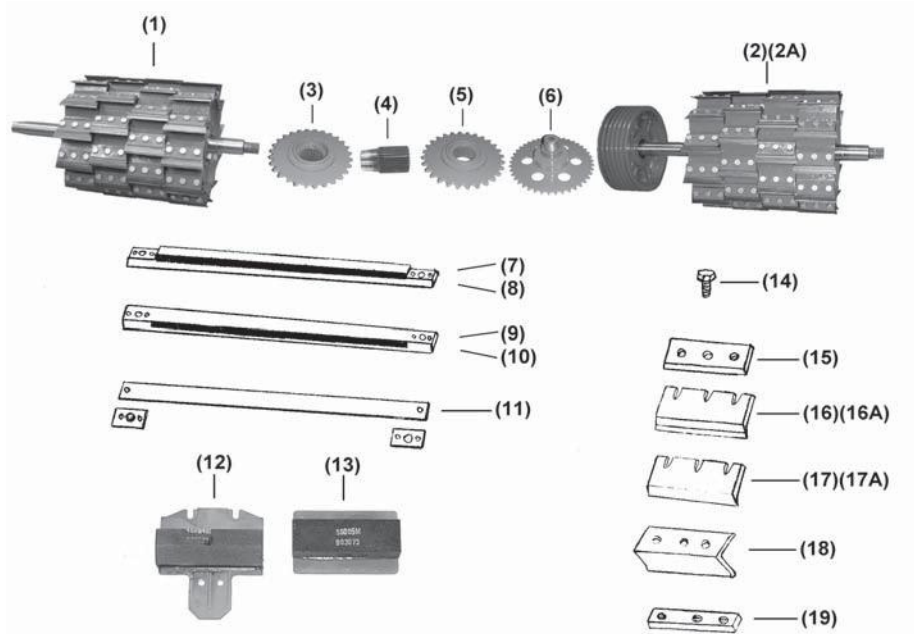


Item No.	Maize Part No.	Deere Part No.	Description	Qty Req	Maize Price
1	51787M	AZ51787	<u>Feedroll, upper rear, stainless steel</u> , more aggressive design - All 6000/7200-7500	1	565.00
2	12673M	Z12673	<u>Deflector, feedroll end</u> - All 6000/7200-7500	2	28.42
3	81670M	K63862	<u>Shaft, upper rear feedroll, gear drive, 3/16" longer, induction hardened shaft ends</u> - SN 504342 and above replaces #76619M - All 6000/7200-7500	1	94.50
4	60516M	Z60516	<u>Shaft, upper rear feedroll, chain drive, induction hardened shaft</u> - SN 504341 and below	1	57.25
5	53184M	AZ53185	<u>Feedroll, upper front, straight, replaceable teeth, stainless steel, includes bearings and seals</u> - All 6000/7200-7500	1	1393.00
6	53186M	N/A	<u>Replaceable tooth, stainless steel, bolt on, Maize straight tooth, serrated tooth</u>	8	48.00
6A	53187M	N/A	<u>Replaceable tooth, stainless steel, bolt on, non-serrated</u>	8	39.20

Item No.	Maize Part No.	Deere Part No.	Description	Qty Req	Maize Price
7	53184MBK	N/A	<u>Bolt kit</u> , replaceable tooth, upper front feedroll, stainless steel, All 6000/7200-7500	1	27.25
8	10108M	JD10108	<u>Needle bearing</u> , upper front feedroll - All 6000/7200-7500	4	11.41
9	28870M	AL28870	<u>Seal</u> , upper front feedroll - All 6000/7200-7500	4	10.25
10	53185M	AZ53185	<u>Feedroll, upper front</u> , spiral tooth, stainless steel, thicker teeth and side plates, <b>includes bearings and seals</b> All 6000-7200/7500	1	1295.00
11	53185MJ	N/A	<u>Spiral tooth replacement</u> - All 6000/7200-7500	24	14.85
12	61045M	Z61045	<u>Shaft</u> , upper front feedroll, <b>induction hardened shaft ends</b> All 6000	1	160.00
13	81671M	Z74062	<u>Shaft</u> , upper front feedroll, <b>induction hardened shaft ends</b> Allows installation of additional springs - All 6000/7200-7500	1	275.00
14	13019M	Z13019	<u>Scraper</u> , LR feedroll, <b>use with 1" cutter bar</b> - All early 6000 Series	1	172.00
15	12818M	Z12818	<u>Scraper</u> , LR feedroll, tall, for 36mm cutter bar, <b>we recommend using in all 6000 series for better cutter bar clearance</b> 6000/7200-7500	1	172.00
16	56217M	AZ56217	<u>Feedroll, lower rear</u> , <b>induction hardened splines, shaft ends and outside 2" of roll</b> , manufactured from special material, longer life - All 6000/7200-7500	1	417.60
17	47886M	AZ47886	<u>Chain coupling</u> , lower rear feedroll to gear box drive shaft, heavy duty - All 6000/7200-7500	1	36.27
18	51114M	AZ51114	<u>Coupling sprocket</u> , lower feedroll, heat treated All 6000/7200-7500	1	85.10
19	51115M	AZ51115	<u>Coupling sprocket</u> , gear box drive shaft to lower rear feedroll, heat treated - All 6000/7200-7500	1	88.25
20	50090M	AZ50090	<u>Feedroll</u> , lower front, stainless steel, cross bars are thicker and deeper for longer life - All 6000/7200-7500	1	940.00
21	50086M	AZ50086	<u>Pan</u> , rear, lower feedroll - All 6000/7200-7500	1	65.00
22	63659M	Z63659	<u>Pan</u> , front, lower feedroll - All 6000/7200-7500	1	55.00

**(We guarantee all our parts to fit and to bolt up.)**

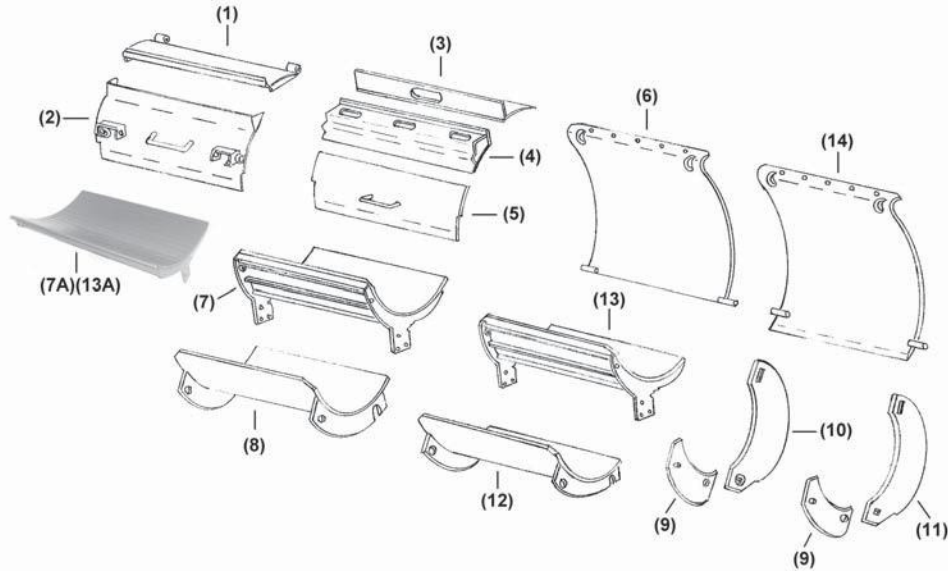
## CUTTER HEAD AND RELATED PARTS



Item No.	Maize Part No.	Deere Part No.	Description	Qty Req	Maize Price
1	57053M	AZ57053	<p><u>48 Knife cutter head</u> with tapered or straight shaft. It has 3/4" end plates with two 1/2" plates inside the drum, all knife mounts are supported to prevent cracking.</p> <p>Add tungsten carbide to the face of the knife mount angle 1/16" x 1-1/4" 504.00</p> <p>Add tungsten carbide to complete face of the knife mount angle 960.00</p> <p>Add 63136MS super corn knife with extra tungsten 132.00</p> <p>Add 69500M super grass knife with extra tungsten 132.00</p> <p>Add heavy duty 6 groove pulley with taper lock hub 299.00</p> <p>Add heavy duty 7 groove pulley with taper lock hub 784.49</p>	1	4365.00
2	57054M	AZ57054	<p><u>40 Knife cutter head</u> with tapered or straight shaft. It has 3/4" end plates with two 1/2" plates inside the drum. All knife mounts are supported to prevent cracking.</p> <p>Add tungsten carbide to the face of the knife mount angle 1/16" x 1-1/4" 420.00</p> <p>Add tungsten carbide to complete face of mount 800.00</p> <p>Add 63136MS super corn knife with extra tungsten 110.00</p> <p>Add 69500M super grass knife with extra tungsten 110.00</p> <p>Add heavy duty 6 groove pulley with taper lock hub 299.00</p> <p>Add heavy duty 7 groove pulley with taper lock hub 784.49</p>	1	4180.00

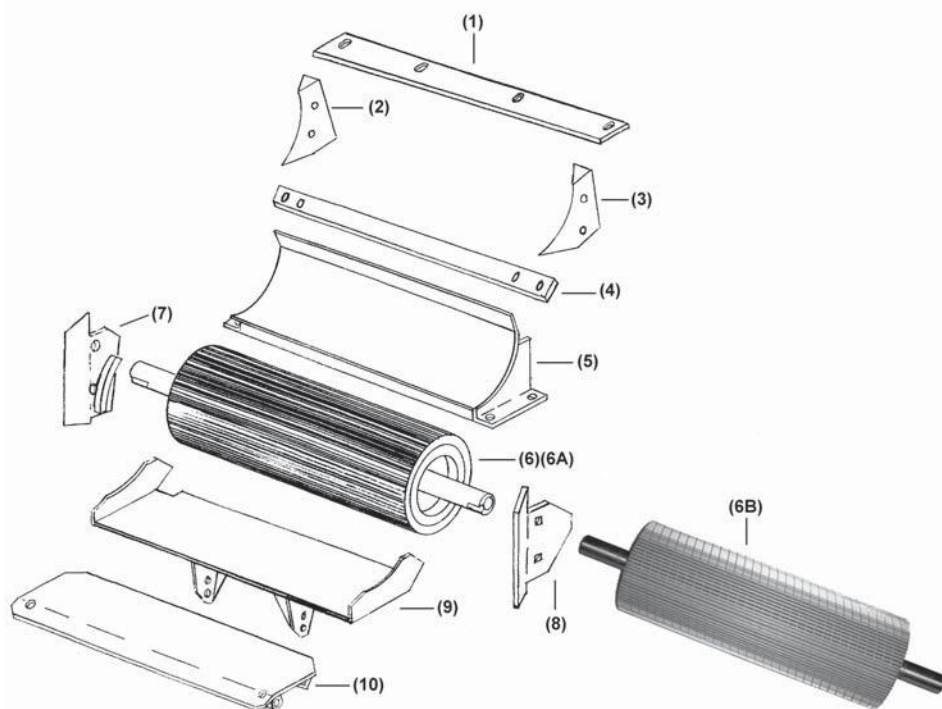
Item No.	Maize Part No.	Deere Part No.	Description	Qty Req	Maize Price
2A	57052M	N/A	<u>32 Knife cutter head</u> with tapered or straight shaft. It has 3/4" end plates with two 1/2" plates inside the drum to prevent cracking of the drum center.	1	3910.00
			Add tungsten carbide on complete face of knife mount angle		720.00
			Add 63136MS super corn knife with extra tungsten		99.00
			Add 69500M super grass knife with extra tungsten		99.00
			Add heavy duty 6 groove pulley (12937M) with taper lock hub		299.00
			Add heavy duty 7 groove pulley (12542M) with taper lock hub		784.49
3	43581M	AZ43581	<u>Coupling sprocket</u> , 28 tooth for straight splined cutter hd shaft	1	185.00
4	71387M	AZ71139	<u>Tapered/splined shaft</u> , coupling, heat treated, used on cutter head shaft w/o spline, late 6850 and 7000 series	1	98.50
5	64796M	AZ64796	<u>Coupling sprocket</u> , 28 tooth for shafts w/o straight shaft spline used with part no. 71387M, installed	1	185.00
6	101898M	AZ101898	<u>Coupling sprocket</u> , 42 tooth, to be used with larger heads, bolts directly to cutter head shaft w/o spline	1	198.00
7	53905M	AZ53905	<u>Cutter bar, grass</u> , 36mm, heat treated, tungsten carbide SN 504342 and above - 6650-6950/7200-7500	1	376.25
8	53906M	AZ53906	<u>Cutter bar, corn</u> , 36mm, heat treated, tungsten carbide SN 504342 and above - 6650-6950/7200-7500	1	430.10
9	47613M	AZ47613	<u>Cutter bar, grass</u> , 1" thick, heat treated, tungsten carbide	1	342.50
10	47614M	AZ47614	<u>Cutter bar, corn</u> , 1" thick, heat treated, tungsten carbide	1	342.50
11	49449M	AZ49449	<u>Wear kit</u> , cutter bar - All 6000/7200-7500	1	43.80
12	53747M	AZ53747	<u>Sharpening stone</u> , SN 504991 and below - Early 6950	1	59.53
13	56005M	AZ56626	<u>Sharpening stone</u> , SN 504992 and above - Late 6950, 7200-7500, Guaranteed quality	1	56.58
14	69650M	Z69650	<u>Knife bolt</u> , wide head, metric grade 12.9, strongest bolt on the market - All 6000/7200-7500	120/144	1.80
15	60535M	Z60535	<u>Top strap</u> , 1/4" heat treated - 6000/7200-7500	32/40/48	7.20
16	63136M	Z63136	<u>Corn knife</u> , heat treated, tungsten carbide - 6000 7200-7500	32/40/48	16.25
16A	63136MS	Z63136	<u>Super corn knife</u> , heat treated, thicker and higher grade of tungsten carbide than others - All 6000/7200-7500	32/40/48	20.25
17	69500M	N/A	<u>Grass knife</u> , 3/8" longer, will have more contact with knife mount bracket front to rear - 6000/7200-7500	32/40/48	14.85
17A	69500MS	N/A	<u>Super grass knife</u> , 3/8" longer, tungsten carbide, longer life	32/40/48	17.40
18	49624M	Z49624	<u>Knife mount angle</u> - 6000/7200-7500	A/R	10.00
19	71196M	Z71196	<u>Nut, knife bolt</u> , cold roll steel, heat treated-6000/7200-7500	32/40/48	7.50

## CUTTER HEAD LIDS, PANS AND RELATED PARTS



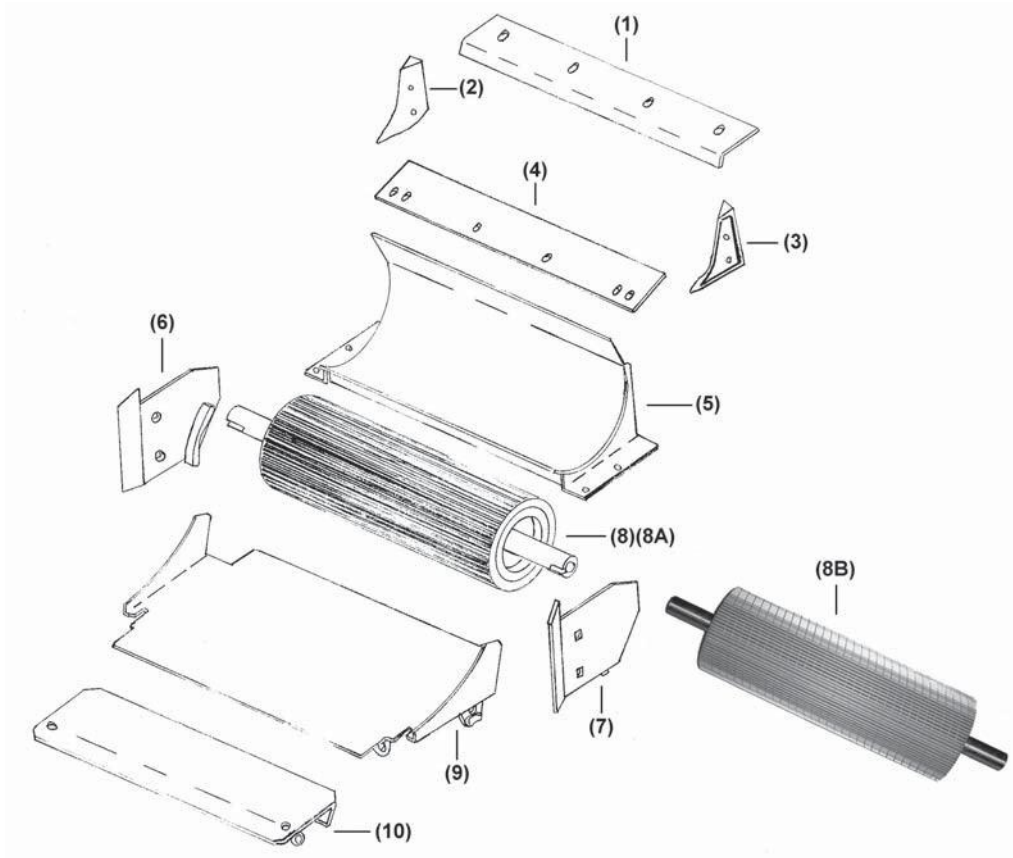
<u>Item No.</u>	<u>Maize Part No.</u>	<u>Part No.</u>	<u>Description</u>	<u>Qty Req</u>	<u>Maize Price</u>
1	54323M	AZ54323	<u>Cover, upper rear</u> , cutter head, SN 504342 and above 6000/7200-7500	1	44.00
2	54310M	AZ54310	<u>Cover upper front</u> , cutter head, SN 504342 and above 6000/7200-7500	1	62.50
3	39714M	AZ39714	<u>Cover, upper rear</u> , cutter head, SN 504341 and below	1	52.50
4	47099M	AZ47099	<u>Cover, upper center</u> , cutter head, SN 504341 and below	1	72.00
5	45119M	AZ45119	<u>Cover, upper front</u> , cutter head, SN 504341 and below	1	52.50
6	52676M	AZ52676	<u>Cover, rear</u> , cutter head - All 6000	1	73.50
7	54153M	AZ54153	<u>Pan, under cutter head</u> , standard, All 6000	1	162.80
7A	54153MS	N/A	<u>Pan, under cutter head</u> , special 1/8" hard surfacing	1	624.56
8	48917M	AZ48917	<u>Pan, under cutter head</u> , All 6000	1	146.09
9	72502M	Z72502	<u>Wear plate</u> , behind cutter bar, All 6000/7200-7500	2	9.25
10	75383M	Z75383	<u>Wear plate</u> , rear, RH, All 6000, 7200-7500	1	21.00
11	75383M	Z75383	<u>Wear plate</u> , rear, LH, All 6000, 7200-7500	1	21.00
12	63221M	AZ63221	<u>Pan, under cutter head</u> , 7200-7500	1	160.00
13	62425M	AZ62425	<u>Pan, under cutter head</u> , 7200-7500	1	150.00
13A	62425MS	N/A	<u>Pan, under cutter head</u> , special 1/8" hard surfacing	1	624.56
14	57245M	AZ57245	<u>Cover, rear</u> cutter head, 7200-7500	1	128.00

## 6000 SERIES KERNAL PROCESSOR ROLLS AND RELATED PARTS



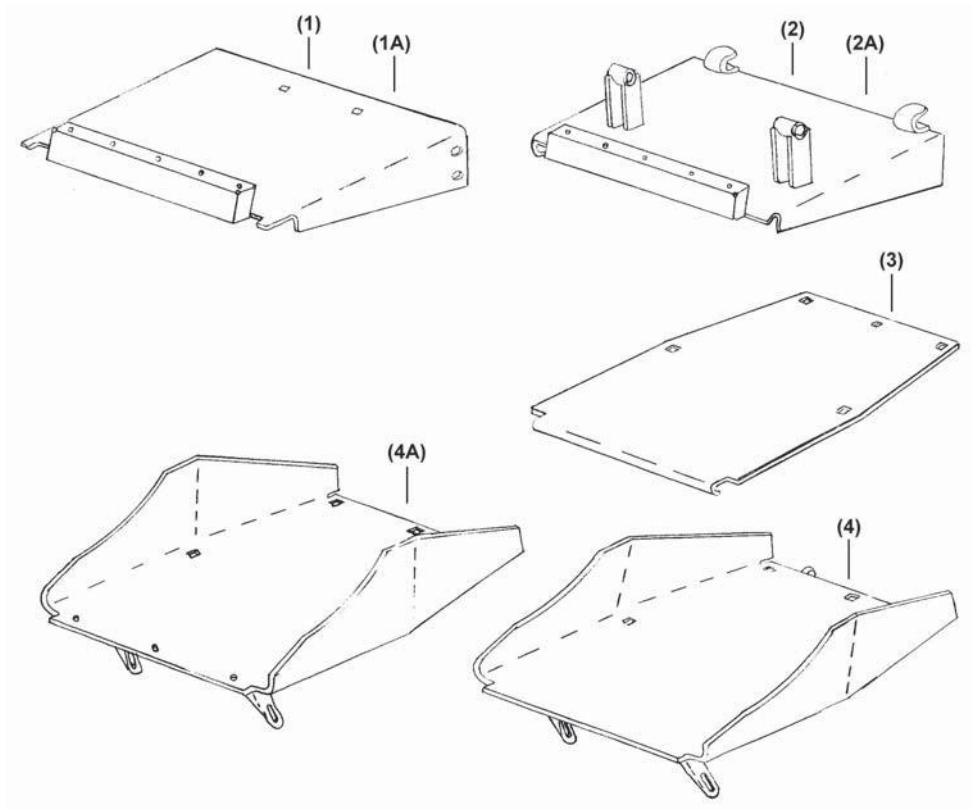
Item No.	Maize Part No.	Deere Part No.	Description	Qty Req	Maize Price
1	49938M	Z49938	<u>Deflector</u> , upper rear, All 6000	1	28.00
2	12739M	Z12739	<u>Deflector</u> , upper roll, rear, RH, All 6000	1	54.50
3	12738M	Z12738	<u>Deflector</u> , upper roll, rear, LH, All 6000	1	54.50
4	62347M	Z62347	<u>Deflector</u> , bottom rear, All 6000	1	29.75
5	39644M	AZ39644	<u>Pan</u> , 1/4" special alloy - All 6000	1	29.75
6	54512M	AZ54512	<u>Crimper roll</u> , <b>deep saw tooth</b> , more aggressive, taper lock hubs - All 6000	2	998.00
6A	54513M	AZ54513	<u>Crimper roll</u> , milo, sorghum, Horning processor roll	2	998.00
6B	54512MS	N/A	<u>Crimper roll</u> , saw tooth, spiral cut	2	1025.00
7	50473M	AZ50473	<u>Deflector</u> , front, RH, All 6000	1	36.63
8	50472M	AZ50472	<u>Deflector</u> , front, LH, All 6000	1	36.63
9	50434M	AZ50434	<u>Pan</u> , All 6000	1	86.25
10	48919M	AZ48919	<u>Deflector</u> , All 6000	1	94.67

## 7200 - 7500 KERNAL PROCESSOR



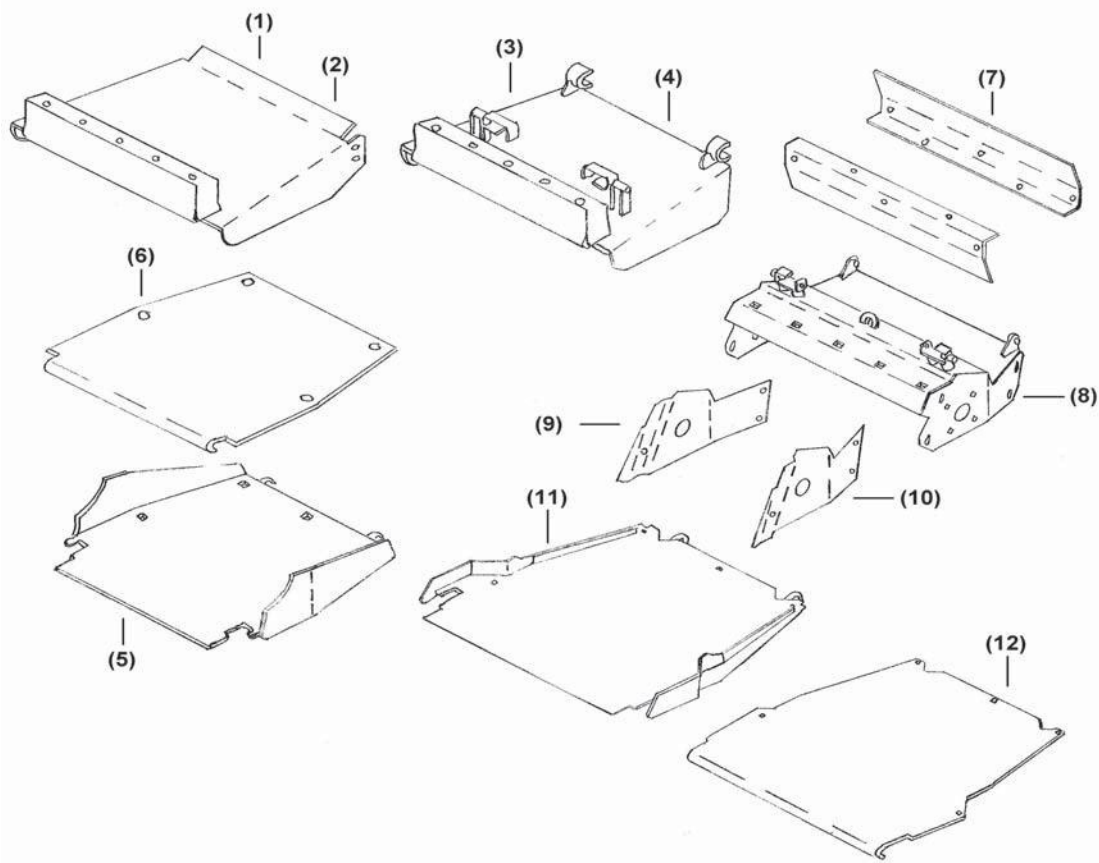
Item No.	Maize Part No.	Deere Part No.	Description	Qty Req	Maize Price
1	73234M	Z73234	<u>Deflector</u> upper rear	1	56.10
2	13283M	Z13283	<u>Deflector</u> , RH	1	60.30
3	13282M	Z13282	<u>Deflector</u> , LH	1	60.30
4	73233M	Z73233	<u>Deflector</u>	1	49.79
5	55165M	AZ55165	<u>Cover</u>	1	121.00
6	55155M	AZ55155	<u>Wear plate</u> , RH	1	32.95
7	55154M	AZ55154	<u>Wear plate</u> , LH	1	32.95
8	54512M	AZ54512	<u>Crimper roll</u> , saw tooth, special open design, more capacity	2	998.00
8A	54513M	AZ54513	<u>Crimper roll</u> , sorghum, milo, Horning kernel processor	2	998.00
8B	54512MS	N/A	<u>Crimper roll</u> , saw tooth, spiral cut	2	1025.00
9	55161M	AZ55161	<u>Chute</u>	1	196.64
10	48919M	AZ48919	<u>Deflector</u>	1	94.67

## 6000 SERIES CHUTES BEHIND CUTTER HEAD



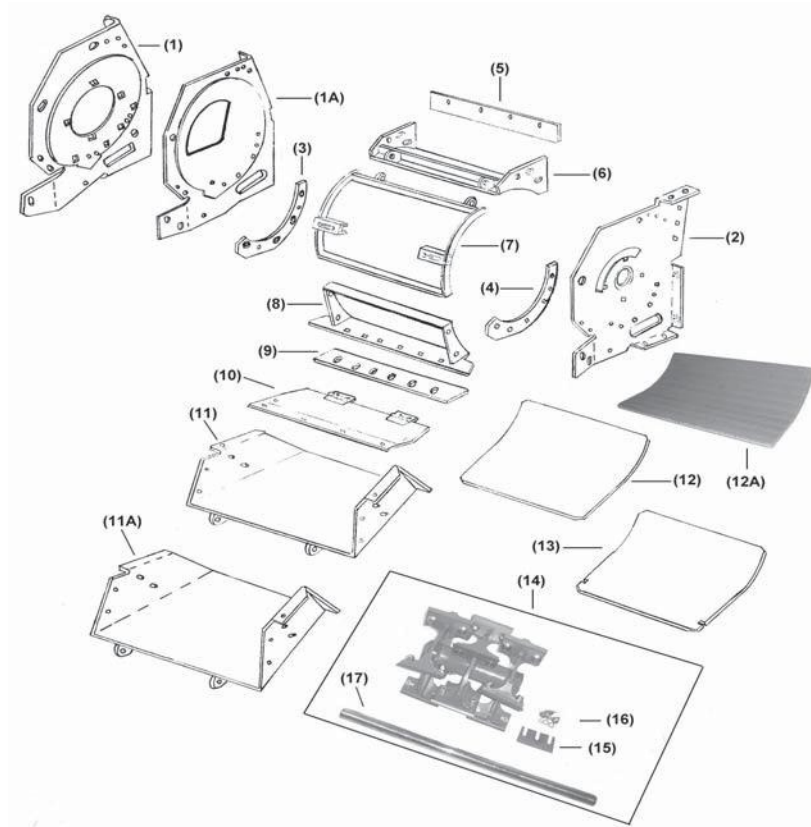
Item No.	Maize Part No.	Deere Part No.	Description	Qty Req	Maize Price
1	61182M	Z61182	<u>Chute, upper front</u> , w/o processor - All 6000 Series	1	92.84
1A	62085M	Z62085	<u>Chute, upper front</u> , w/o processor, stainless steel, All 6000 Series	1	84.00
2	50457M	AZ50457	<u>Chute, upper front</u> , with processor, All 6000 Series	1	85.50
2A	51012M	AZ51012	<u>Chute, upper front</u> , with processor, stainless steel, All 6000 Series	1	92.00
3	66289M	Z66289	<u>Liner, lower chute</u> , stainless steel - All 6000 Series	1	101.00
4	52395M	AZ52395	<u>Chute, lower</u> , All 6000 Series	1	97.50
4A	63188M	AZ63188	<u>Chute, lower</u> , new style, lower to axle and provides wider opening to help prevent plugging at front of blower in hay crops - All 6000 Series	1	129.31

## 7200 - 7500 BLOWER CHUTES



<u>Item No.</u>	<u>Maize Part No.</u>	<u>Deere Part No.</u>	<u>Description</u>	<u>Qty Req</u>	<u>Maize Price</u>
1	71742M	Z71742	<u>Chute</u> , steel, w/o KP installed	1	83.45
2	78650M	Z78650	<u>Chute</u> , stainless, w/o KP installed	1	82.00
3	57329M	AZ57329	<u>Chute</u> , steel, with KP installed	1	167.85
4	63827M	AZ63827	<u>Chute</u> , stainless, with KP installed	1	171.00
5	65662M	AZ65662	<u>Chute</u> , w/o power chute	1	153.50
6	78611M	Z78611	<u>Liner</u> , stainless, w/o power chute	1	125.00
7	77747M	Z77747	<u>Paddle</u>	4	75.00
8	59964M	AZ59964	<u>Housing</u> , power chute	1	395.00
9	75429M	Z75429	<u>Side plate</u> , RH	1	130.50
10	75428M	Z75428	<u>Side plate</u> , LH	1	130.50
11	71138M	AZ71138	<u>Chute</u> , used with power chute	1	289.00
12	71138ML	N/A	<u>Liner</u> , stainless, for 71138M	1	98.50

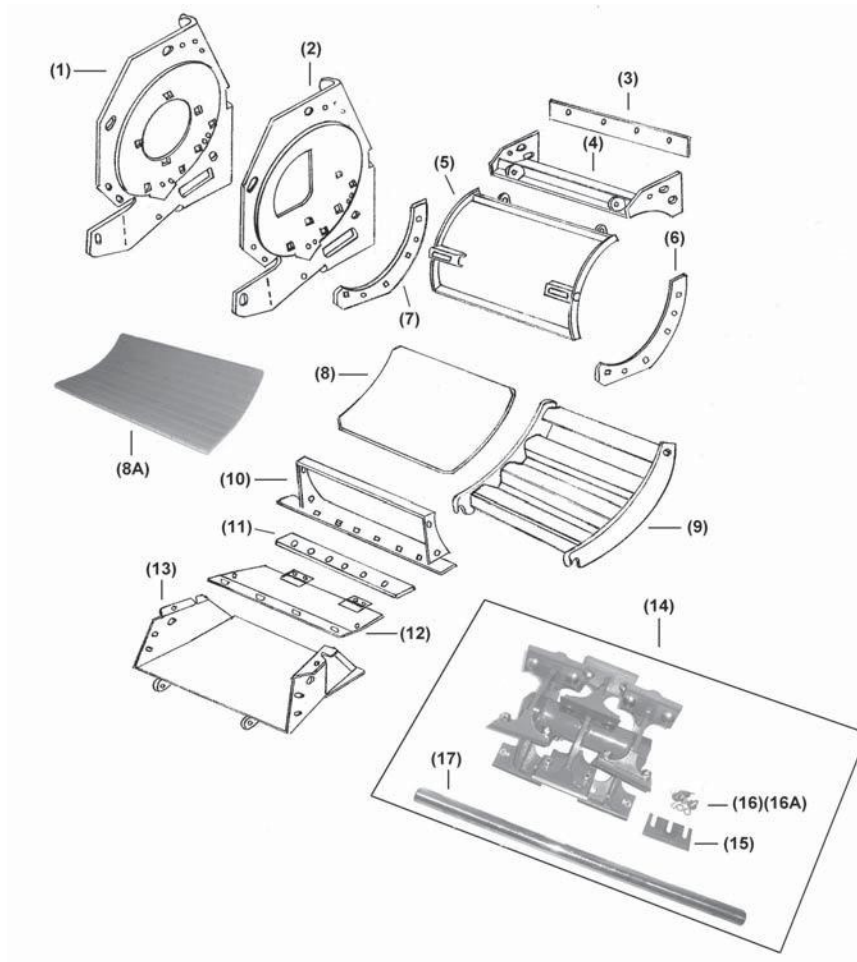
## 6000 SERIES 12 & 15 PADDLE BLOWER AND RELATED PARTS



<u>Item No.</u>	<u>Maize Part No.</u>	<u>Deere Part No.</u>	<u>Description</u>	<u>Qty Req</u>	<u>Maize Price</u>
1	53806M	AZ53806	<u>Sidewall</u> , RH blower housing, standard as OEM	1	240.00
1A	51728M		<u>Sidewall</u> , RH blower housing, guaranteed to increase airflow into blower over all other designs when used with our 15 paddle blower	1	240.00
2	51727M	AZ51727	<u>Sidewall</u> , LH blower housing, will increase airflow when used with our 15 paddle blower	1	240.00
3	62372M	Z62372	<u>Support bracket</u> , RH blower pan, special 1/4" alloy, quick change	1	21.24
4	62966M	Z62966	<u>Support bracket</u> , LH, blower pan, special 1/4" alloy, quick change	1	21.24
5	55782M	Z55782	<u>Deflector</u> , top rear, blower, special 1/4" alloy, beveled to cut material off of blower	1	41.09
6	43828M	AZ43828	<u>Cover, top rear</u> , blower	1	48.20

<u>Item No.</u>	<u>Maize Part No.</u>	<u>Deere Part No.</u>	<u>Description</u>	<u>Qty Req</u>	<u>Maize Price</u>
7	46608M	AZ46608	<u>Lid, blower</u>	1	64.25
8	50114M	AZ50114	<u>Cover, lower front</u>	1	59.85
9	63149M	Z63149	<u>Deflector, lower front, special AR plate</u>	1	13.50
10	47085M	AZ47085	<u>Lid with stainless steel hinge, lower front</u>	1	34.55
11	47885M	AZ47885	<u>Chute, lower front</u>	1	47.25
11A	63189M	AZ63189	<u>Chute, lower front of blower, new style, lower to axle</u> provides wider opening to help prevent plugging at front of blower in hay crops, for early units, alloy	1	78.83
12	64776M	Z64776	<u>Blower bottom, quick change, 6000 series</u>	1	75.00
12A	64776MS	N/A	<u>Blower bottom, quick change, special 1/8" hard surface</u>	1	465.00
13	58148M	Z58148	<u>Blower bottom, early series</u>	1	67.83
14	3007410M	N/A	<u>Rotor assembly, 15 paddle blower, <b>complete, guaranteed to increase your blowing capacity even in the toughest material.</b></u>	1	1127.50
15	72898M	Z72898	<u>Blade, blower paddle</u>	12	12.50
16	51889MBK	N/A	<u>Paddle bolt kit, blower 15 paddle</u>	1	63.25
17	65324M	Z77916	<u>Shaft, blower rotor</u>	1	213.47

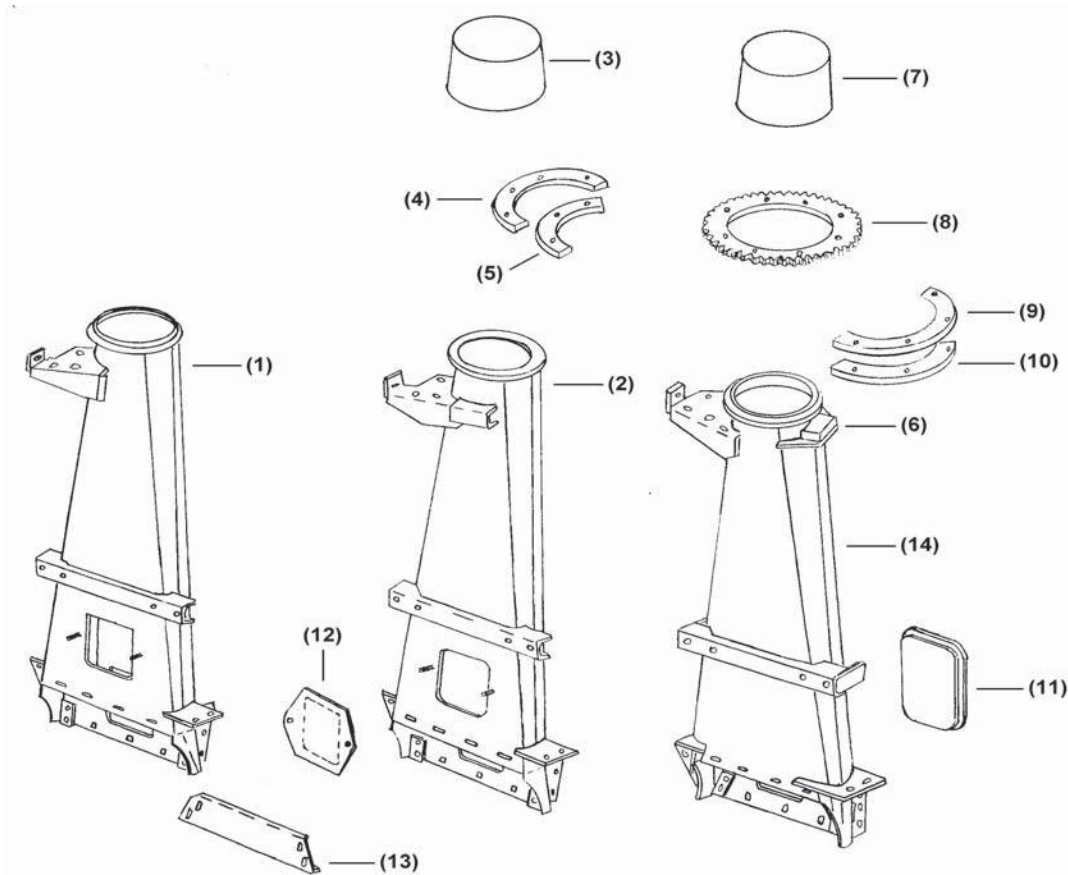
## 7200 - 7500 BLOWER ASSEMBLY



Item No.	Maize Part No.	Deere Part No.	Description	Qty Req	Maize Price
1	53154M	AZ53154	<u>Side panel, RH, alloy liner</u>	1	240.00
2	53155M	AZ53155	<u>Side panel, RH, more blower power, alloy liner</u>	1	240.00
3	55782M	Z55782	<u>Deflector, top rear, beveled to cut material off blower, alloy</u>	1	41.09
4	43828M	AZ43828	<u>Cover, top rear, AR</u>	1	48.20
5	46608M	AZ46608	<u>Lid, blower, AR</u>	1	64.25
6	67030M	Z67030	<u>Support bracket, LH, alloy</u>	1	21.24
7	67031M	Z67031	<u>Support bracket, RH, alloy</u>	1	21.24
8	67208M	Z67208	<u>Blower bottom, alloy</u>	1	69.50
8A	67208MS	N/A	<u>Blower bottom, 1/8" hard surface</u>	1	455.00
9	53152M	AZ53152	<u>Frame, blower bottom</u>	1	239.63

<u>Item No.</u>	<u>Maize Part No.</u>	<u>Deere Part No.</u>	<u>Description</u>	<u>Qty Req</u>	<u>Maize Price</u>
10	55604M	AZ55604	<u>Cover</u> , lower front	1	59.85
11	73303M	Z73303	<u>Deflector</u> , lower front, AR Steel	1	14.00
12	55609ML	AZ55609	<u>Lid</u> , lower front, stainless steel hinges	1	34.55
13	55555M	AZ55555	<u>Chute</u> , blower inlet	1	98.60
14	3007410M	N/A	<u>Rotor assembly, 15 paddle, complete, rotor shaft paddles and hardware</u> - fits 6000/7200-7500	1	1127.50
15	72898M	Z72898	<u>Blade</u> , blower paddle	12	12.50
16	51888MBK	N/A	<u>Paddle bolt kit</u> , blower, 12 paddle	1	50.10
17	51889MBK	N/A	<u>Paddle bolt kit</u> , blower, 15 paddle	1	63.25
17A	65324M	Z77916	<u>Shaft</u> , blower rotor	1	213.47

## DISCHARGE CHUTES AND RELATED PARTS



<u>Item No.</u>	<u>Maize Part No.</u>	<u>Deere Part No.</u>	<u>Description</u>	<u>Qty Req</u>	<u>Maize Price</u>
1	56941M	Z56941	<u>Discharge chute, 200° rotation</u> - now with alloy liner, lower front, to protect bolt heads & extend chute life <b>hard surface</b> on lower high wear area	1	916.54
2	42610M	AZ42610	<u>Discharge chute, alloy, 180° rotation</u> - 6610 through 6910 <b>hard surface</b> on lower high wear area	1	916.54
3	51492MC	N/A	<u>Liner, spout pivot bracket, 200mm alloy</u>	1	59.00
4	49618M	Z49618	<u>Ring bracket, 200mm</u> - All 6000	2	16.37
5	58116M	Z58116	<u>Stop strap, lower, 200mm</u> - All 6000	1	39.99
6	55314M	AZ55314	<u>Discharge chute, 250mm</u> , now with alloy liner, lower front, to protect bolt heads and extend chute life, <b>hard surface</b> lower high wear area	1	989.18
7	54264MC	AZ54264	<u>Liner, spout pivot bracket, 250mm</u> - All 6000/7200-7500	1	66.13
8	67194M	Z67194M	<u>Gear, 250mm</u> - All 6000/7200-7500	1	230.00

<u>Item No.</u>	<u>Maize Part No.</u>	<u>Deere Part No.</u>	<u>Description</u>	<u>Qty Req</u>	<u>Maize Price</u>
9	67197M	Z67197	<u>Ring, 250mm alloy</u> - All 6000/7200-7500	2	16.37
10	67196M	Z67196	<u>Strap lower, 250mm alloy</u> - SN 504342 and above All 6000/7200-7500	1	39.00
11	20713M	Z20713	<u>Cover, 250mm, alloy liner</u> - SN 504342 and above All 6000/7200-7500	1	17.50
12	43830M	AZ43830	<u>Cover, 200mm, alloy liner</u> - All 6000	2	37.76
13	60500M	Z60500	<u>Wear cover,</u> rear discharge chute - All 6000/7200-7500	1	32.50
14	71964M	AZ71964	<u>Discharge chute,</u> 250mm alloy chute with alloy liner lower front to protect bolt heads and extend chute life, <b>lower inside hard surfaced to extend life</b> 7200-7500	1	1054.38