

Page No.

1

2

3

4

5

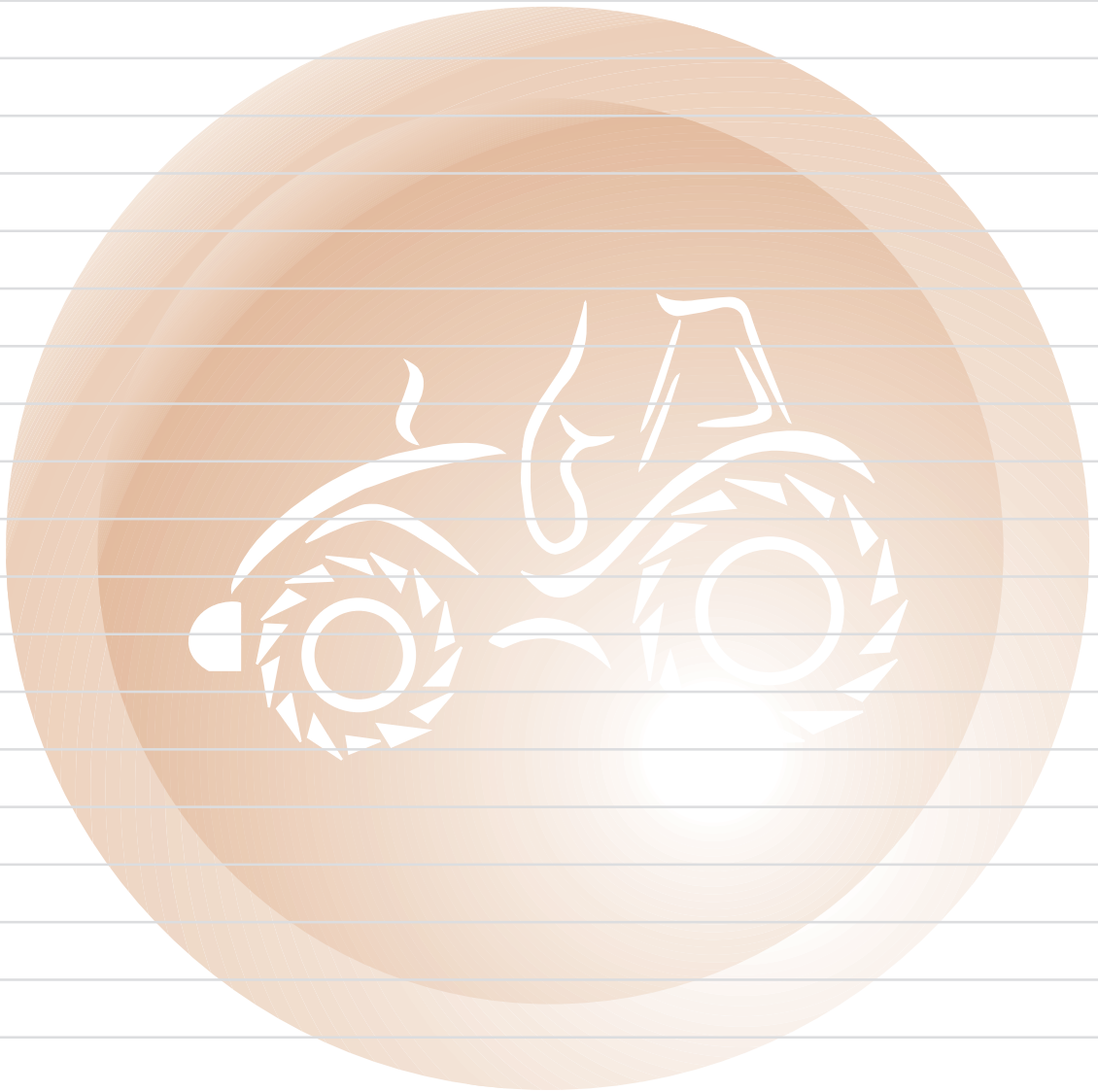
6

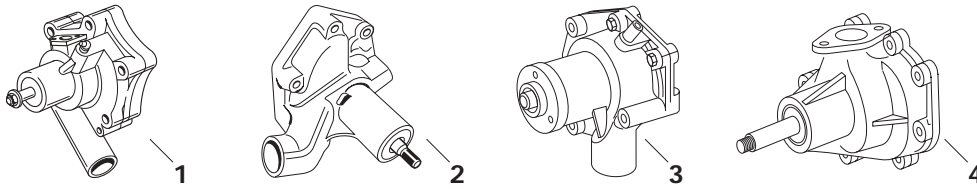
Please see Index for alternative O.E. part numbers.

E & O.E.

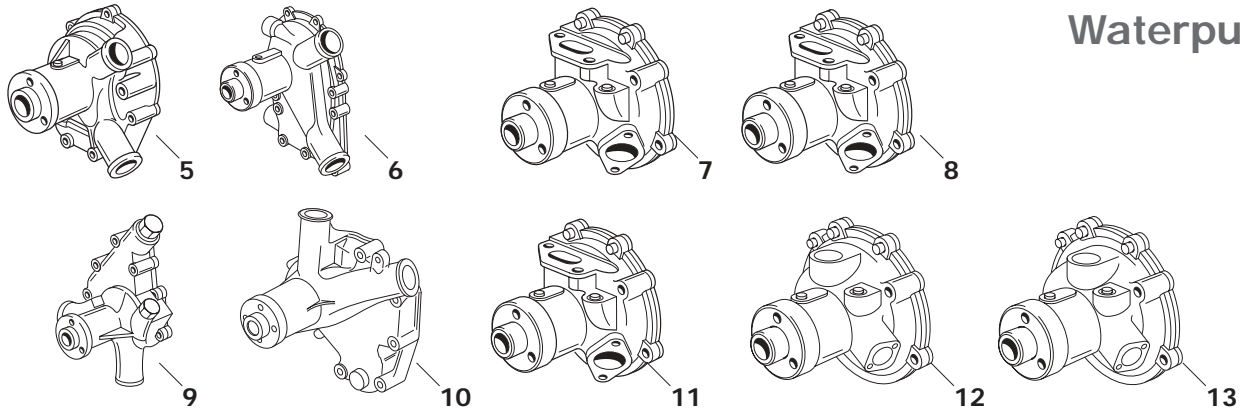
These parts are Sparex parts and are not manufactured by the Original Equipment Manufacturer. Original Equipment Manufacturers names, part numbers and descriptions are quoted for reference purposes only.

NOTES





Waterpumps

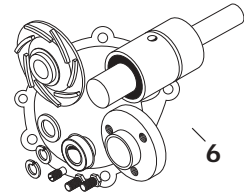
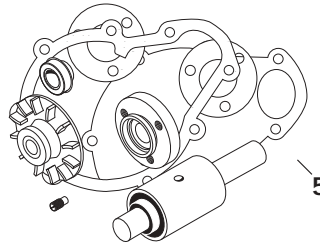
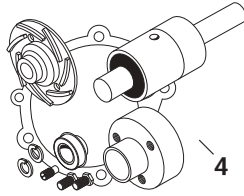
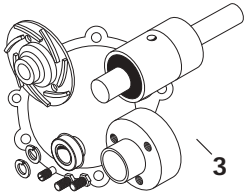
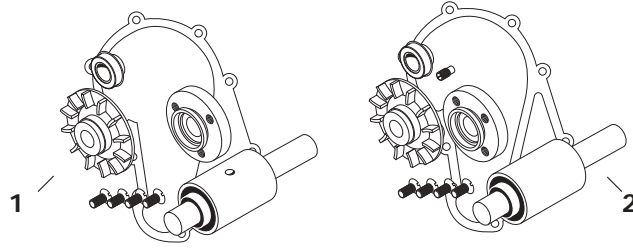


SPAREX No.	DESCRIPTION	EQUIVALENT	TRACTOR MODEL
1	S.63054 Water Pump	575752	311R, 312R, 411RB (Petrol engines only)
2	S.62297 Water Pump	566997	(411R, 415 early models)
3	S.59030 Water Pump	4593360	(411R, 415 later models)
4	S.59155 Water Pump	577837	513R, 615
5	S.63050 Water Pump	8829787	650, 650S, 750, 750S, 850, 850S
6	S.63056 Water Pump	8829805	1300, 1300S
7	S.63049 Water Pump	4679242 93191101	446, 450, 466, 470, 480, 500, 540, 550, 566, 600, 640, 666, 766, 880/5900, 980, 1000, 1000S, 1180, 1280, 1380
8	S.63055 Water Pump	4696707	580, 680, 780
9	S.63051 Water Pump	8829790	880
10	S.58999 Water Pump	4796534	1580, 1880, 160-90, 180-90
11	S.63052 Water Pump	4813370	(45-66, 50-66, 55-66, 60-66, 65-66, 70-66, 80-66 early models) 55-66F, 55-76F, 55-90, 60-66F, 60-76F, 60-90, 70-66F, 70-76F, 80-66F, 80-76F, (65-90, 70-90, 80-90, 85-90, 90-90, 100-90, 110-90, 115-90, 130-90, 140-90 early models), (F100, F110, F120, F130 early models)
12	S.59000 Water Pump (Off set By-pass hole)	98497117	(45-66, 50-66, 55-66, 60-66, 65-66, 70-66, 80-66 later models), (45-66S, 50-66S, 55-66S, 60-66S, 65-66S, 70-66S, 80-66S early models), (55-86F, 62-86F, 72-86F, 82-86F early models), (65-90, 70-90, 80-90, 85-90, 100-90, 110-90, 115-90, 130-90, 140-90 later models) (F100, F110, F120, F130 later models), F115, F140 All 93 & 94 Series
13	S.59032 Water Pump (Centre By-pass hole)	99454833	(45-66S, 50-66S, 55-66S, 60-66S, 65-66S, 70-66S, 80-66S later models) (55-86F, 62-86F, 72-86F, 82-86F later models) L60, L65, L75, L85, L95

Please see Index for alternative O.E. part numbers.

These parts are Sparex parts and are not manufactured by the Original Equipment Manufacturer. Original Equipment Manufacturers names, part numbers and descriptions are quoted for reference purposes only.

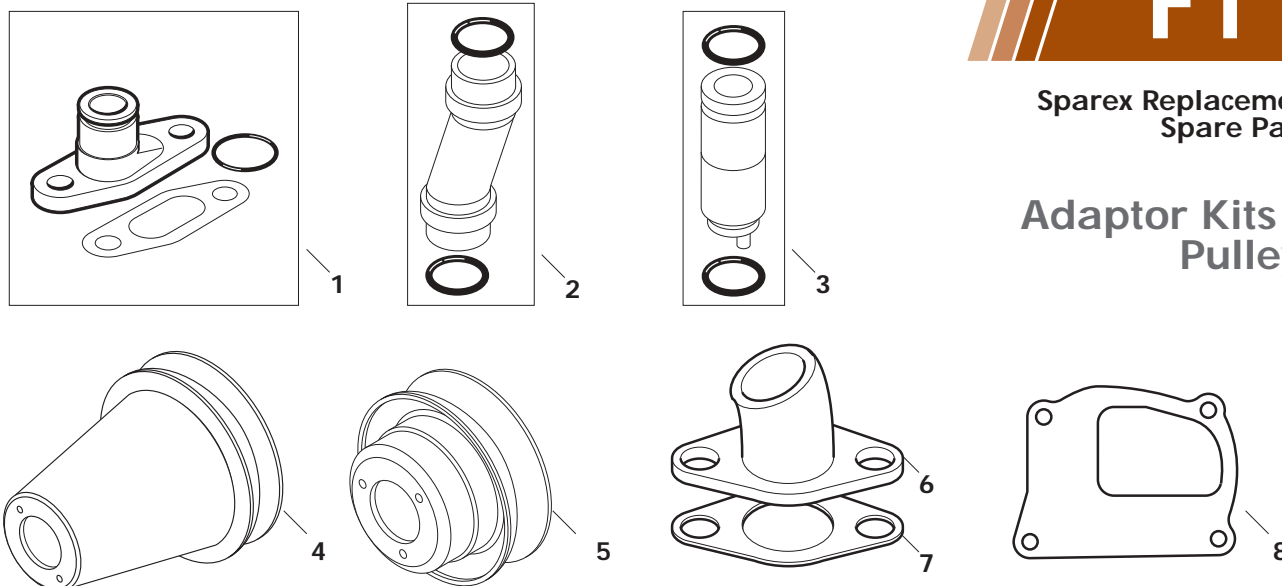
Waterpump Repair Kits



SPAREX No.	DESCRIPTION	EQUIVALENT	TRACTOR MODEL
1	S.63058 Water Pump Repair Kit (For Water Pump S.63050)	1909624	650, 650S, 750, 750S, 850, 850S
2	S.63062 Water Pump Repair Kit (For Water Pump S.63056)	1909616	1300, 1300S
3	S.63057 Water Pump Repair Kit (For Water Pump S.63049)	1909626	446, 450, 466, 470, 480, 500, 540, 550, 566, 600, 640, 666, 766, 880/5 900, 980, 1000, 1000S, 1180, 1280, 1380
4	S.63061 Water Pump Repair Kit (For Water Pump S.63055)	1909627	580, 680, 780
5	S.63109 Water Pump Repair Kit (For Water Pump S.63051)	1909623	880
6	S.63059 Water Pump Repair Kit (For Water Pumps S.63052, S.59000 & S.59032)	1930196 1940105	45-66, 45-66S, 50-66, 50-66S, 55-66, 55-66F, 55-66S, 55-76F, 55-86F 55-90, 60-66, 60-66F, 60-66S, 60-76F, 60-90, 62-86F, 65-66, 65-66S 65-90, 70-66, 70-66F, 70-66S, 70-76F, 70-90, 72-86F, 80-66, 80-66F 80-66S, 80-76F, 80-90, 82-869F, 85-90, 90-90, 100-90, 110-90, 115-90 130-90, 140-90 & All 93 & 94 Series F100, F110, F115, F120, F130, F140, L60, L65, L75, L85, L95

Please see Index for alternative O.E. part numbers.

These parts are Sparex parts and are not manufactured by the Original Equipment Manufacturer. Original Equipment Manufacturers names, part numbers and descriptions are quoted for reference purposes only.



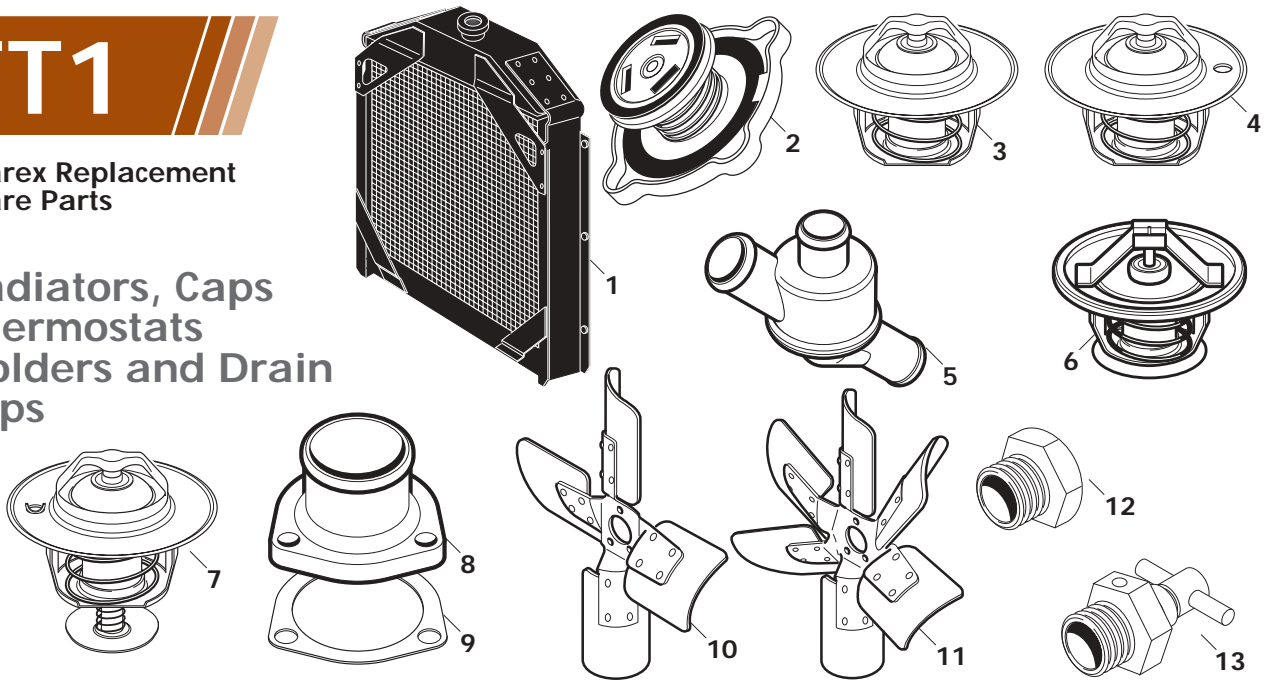
SPAREX No.	DESCRIPTION	EQUIVALENT	TRACTOR MODEL
1	S.62260 Adaptor Kit	4673807 14462881 4673810	For pump S.63049 & S.63055
1	S.62261 Adaptor Kit	4770247 14462881 4673810	For pump S.63052
2	S.58980 Adaptor Kit (Offset Connector)	98464616 14457880 14463281	For pump S.59000
3	S.58981 Adaptor Kit (Straight Connector)	98415712 14457781 14463281	For pump S.59032
4	S.59015 Pulley	4581535	411R, 415 (early models)
5	S.69802 Pulley - 120mm Ø	4655014	450, 480, 500, 540, 550, 600, 640, 55-86F, 60-66F, 60-76F, 62-86F, 70-66F, 70-76F, 72-86F, 80-66F, 80-76F, 82-86F
5	S.69801 Pulley - 140mm Ø	4655015	45-66, 50-66, 55-66, 55-66F, 55-76F, 60-66, 60-93, 60-94, 65-66, 65-93, 70-66, 72-93, 80-66, 82-93, 88-93
6	S.59004 Tube	4697838	For pumps S.63049, S.63052, S.63055, S.59000 & S.59032 except F100, F110, F115, F120, F130, F140
7	S.57051 Tube Gasket	4599562	For pumps S.63049, S.63052, S.63055, S.59000 & S.59032 except F100, F110, F115, F120, F130, F140
8	S.62984 Gasket - Waterpump to Head	98400776	Fits: S.63049, S.63055, S.63052, S.59000 & S.59032 Waterpumps

Please see Index for alternative O.E. part numbers.

These parts are Sparex parts and are not manufactured by the Original Equipment Manufacturer. Original Equipment Manufacturers names, part numbers and descriptions are quoted for reference purposes only.

Sparex Replacement Spare Parts

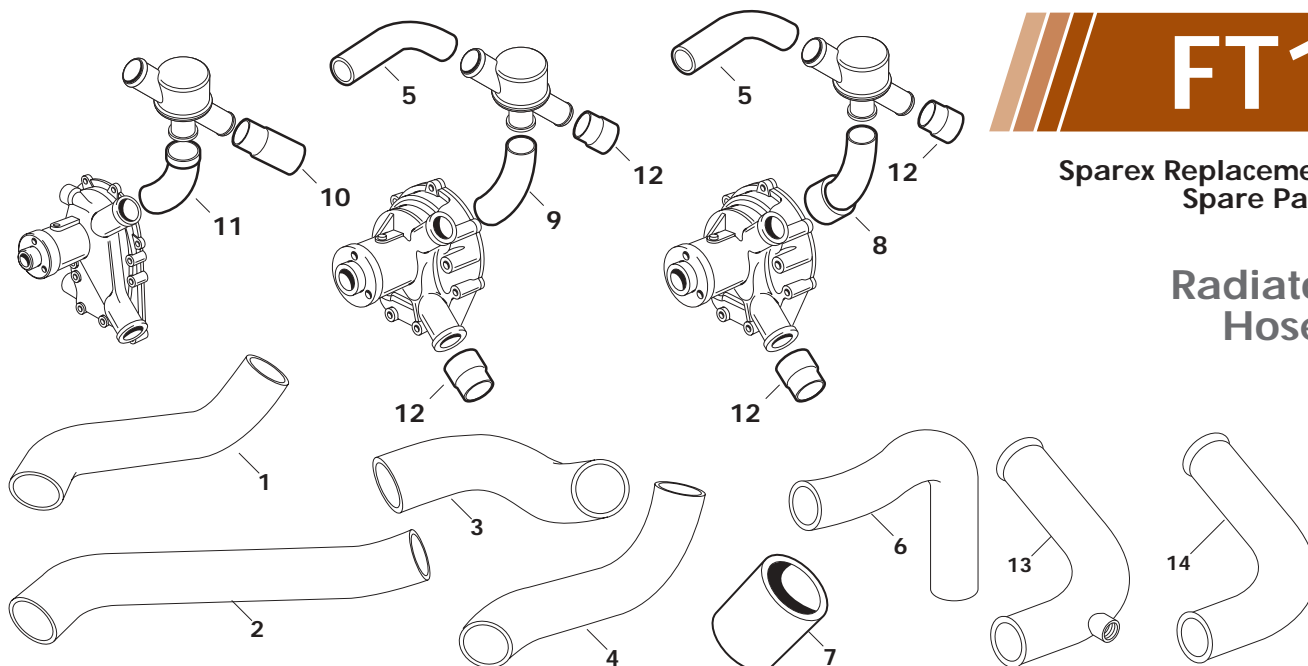
Radiators, Caps Thermostats Holders and Drain Taps



SPAREX No.	DESCRIPTION	EQUIVALENT	TRACTOR MODEL
1	S.62342 Radiator - 4 Fin	4956666	450, 480, 500, 540, 550, 600, 640
1	S.59012 Radiator - 3 Fin	4986634 4973345	450, 480, 500, 540
1	S.59013 Radiator - 4 Fin	5153481	466, 566, 666, 766, 55-66, 60-66, 60-93, 60-94, 65-66, 65-93, 70-66, 72-93, 80-66, 82-93, 88-93
2	S.63104 Radiator Cap (13Lbs/ SQ.IN)	4999682	450, 466, 480, 500, 540, 550, 566, 580, 600, 640, 666, 680, 766, 780, 880, 880/5, 900, 980, 1000, 1000S, 45-66, 50-66, 55-66, 55-66F, 55-76F, 55-90, 60-66, 60-66F, 60-76F, 60-90, 60-93, 60-94, 65-66, 65-90, 65-93, 65-94, 70-66, 70-66F, 70-76F, 70-90, 72-93, 72-94, 80-66, 80-66F, 80-76F, 80-90, 82-93, 82-94, 85-90, 88-93, 88-94, 90-90, 100-90, 110-90, F100, F110, F115, F120, F130, F140, L60, L65, L75, L85, L95
3	S.63078 Thermostat	4823226	450, 466, 480, 500, 540, 550, 566, 580, 600, 640, 666, 680, 766, 780, 880/5, 900, 980, 1000, 1000S, 45-66, 50-66, 55-66, 55-66F, 55-76F, 55-90, 60-66, 60-66F, 60-76F, 60-90, 60-93, 60-94, 65-66, 65-90, 65-93, 65-94, 70-66, 70-66F, 70-76F, 70-90, 72-93, 72-94, 80-66, 80-66F, 80-76F, 80-90, 82-93, 82-94, 85-90, 88-93, 88-94, 90-90, 100-90, 110-90, F100, F110, F115, F120, F130, F140, L60, L65, L75, L85, L95
4	S.40085 Thermostat	4086415	315, 411R, 415
5	S.62343 Thermostat	8830331	650, 650S, 750, 750S, 850, 850S, 880
6	S.62344 Thermostat	4808727	1580, 1880, 160-90, 180-90
7	S.65990 Thermostat (x 2 Required)	87800842	G170, G190, G210, G240, M100, M115, M135, M160
8	S.62262 Thermostat Housing	4661543	450, 466, 480, 500, 540, 550, 566, 580, 600, 640, 666, 680, 766, 780, 880/5, 900, 980, 1000, 1000S, 45-66, 50-66, 55-66, 55-66F, 55-76F, 55-90, 60-66, 60-66F, 60-76F, 60-90, 60-93, 60-94, 65-66, 65-90, 65-93, 65-94, 70-66, 70-66F, 70-76F, 70-90, 72-93, 72-94, 80-66, 80-66F, 80-76F, 80-90, 82-93, 82-94, 85-90, 88-93, 88-94, 90-90, 100-90, 110-90, F100, F110, F115, F120, F130, F140, L60, L65, L75, L85, L95
9	S.59158 Thermostat Gasket	4599809	Suits S.62262 Housing
10	S.69800 Fan Blade - 4 Blade - Metal	4593320	446, 450, 466, 480, 500, 540, 550, 566, 600, 640, 666, 766, 55-66, 60-66, 60-93, 60-94, 65-66, 65-93, 70-66, 72-93, 80-66, 82-93, 88-93
11	S.59014 Fan Blade - 6 Blade - Plastic		446, 450, 466, 480, 500, 540, 550, 566, 600, 640, 666, 766, 55-66, 60-66, 60-93, 60-94, 65-66, 65-93, 70-66, 72-93, 80-66, 82-93, 88-93
12	S.63132 Drain Plug (16 x 1.5mm Plug)	10300714 10300711	45-66, 50-66, 55-66, 60-66, 60-66F, 60-76F, 60-93, 60-94, 62-86F, 65-66, 65-93, 70-66, 70-66F, 70-76F, 72-86F, 72-93, 80-66, 80-66F, 80-76F, 82-86F, 82-93
13	S.68822 Drain Tap	5118499	450, 480, 500, 540, 550, 600, 640, 650, 750, 850, 1000, 1300, 474, 55-66F, 55-76F, 55-86F

Please see Index for alternative O.E. part numbers.

These parts are Sparex parts and are not manufactured by the Original Equipment Manufacturer. Original Equipment Manufacturers names, part numbers and descriptions are quoted for reference purposes only.



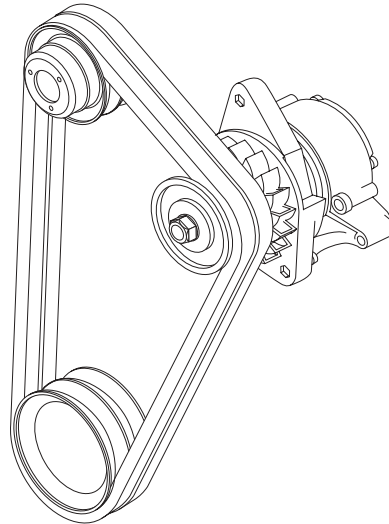
SPAREX No.	DESCRIPTION	EQUIVALENT	TRACTOR MODEL
1	S.63044 Radiator Hose Top (use hose clip S.4431)	5111527 4997263	580, 680, 780, 880/5, 980, 55-90, 60-90, 65-90, 65-94, 70-90, 72-94 80-90, 82-94, 85-90, 88-94, 90-90, 100-90, 110-90
2	S.63045 Radiator Hose Top (use hose clip S.4431)	5107001	1180, 1280, 1380
3	S.63046 Radiator Hose Top (use hose clip S.4431)	4950088	450, 480, 500, 540, 550, 600, 640
4	S.63048 Radiator Hose Top (use hose clip S.4431)	4951084	900, 1000, 1000S
5	S.62863 Radiator Hose Top (use hose clip S.4331)	4952243	850, 850S
5	S.62997 Radiator Hose Top (use hose clip S.4331)	4951429	650, 650S, 750, 750S
5	S.62753 Radiator Hose Top (use hose clip S.4331)	4997336	880
5	S.62589 Radiator Hose Top (use hose clip S.4330, S.4431)	44901505	474, 55-66F, 55-76F, 55-86F
6	S.59006 Radiator Hose Top (use hose clip S.3359)	5104825	446, 466, 566, 666, 766, 55-66, 60-66, 65-66, 70-66, 80-66 570, 670
7	S.63043 Radiator Hose Bottom	596152	450, 466, 480, 500, 540, 550, 566, 580, 600, 640, 666, 680, 766, 780 1000, 1000S, 45-66, 50-66, 55-66, 55-90, 60-66, 60-66F, 60-76F, 60-90 60-93, 60-94, 65-66, 65-90, 65-93, 65-94, 70-66, 70-66F, 70-76F, 70-90 72-93, 72-94, 80-66, 80-66F, 80-76F, 80-90, 82-93, 82-94, 85-90, 88-93 88-94, 90-90, 100-90, 110-90, 115-90, 130-90, 140-90 F100, F110, F115, F120, F130, F140, L60, L65, L75, L85, L95
8	S.63042 Radiator Hose By Pass (use hose clip S.4329, S.4330)	8820051	650, 650S, 750, 750S, 850, 850S
9	S.63047 Radiator Hose By Pass (use hose clip S.4330)	4693897	880
10	S.63106 Radiator Hose By Pass (use hose clip S.4439)	8825910	1300, 1300S
11	S.63107 Radiator Hose By Pass (use hose clip S.4330)	8828844	1300, 1300S
12	S.62692 Radiator Hose By Pass (use hose clip S.4331)	8813238 8819913 8830636	650, 650S, 750, 750S, 850, 850S, 880
13	S.59001 Radiator Pipe	4956119 4614162	450, 480, 500, 540, 550, 600, 640, 900, 1000, 1000S 474, 55-66F, 55-76F, 55-86F
13	S.59003 Radiator Pipe	5117300	446, 466, 566, 666, 766, 45-66, 50-66, 55-66, 60-66, 65-66, 70-66 80-66
14	S.59002 Radiator Pipe	4997262	580, 680, 780, 880/5, 980, 55-90, 60-90, 65-90, 65-94, 70-90, 72-94 80-90, 82-94, 90-90, 100-90, 110-90, L60, L65, L75

Please see Index for alternative O.E. part numbers.

These parts are Sparex parts and are not manufactured by the Original Equipment Manufacturer. Original Equipment Manufacturers names, part numbers and descriptions are quoted for reference purposes only.

Sparex Replacement Spare Parts

Fanbelts



SPAREX No.	DESCRIPTION	EQUIVALENT	TRACTOR MODEL
1	S.18640 Fanbelt - AVX13 x 1150	568082 4611312	411R, 415
1	S.18606 Fanbelt - AVX10 x 1150	4796327	446, 450, 466, 480, 500, 540, 550, 566, 600, 640, 666, 766, 880/5, 900, 980, 1000, 1000S, 1180, 45-66, 50-66, 55-66, 60-66, 65-66, 70-66, 80-66, 90-90, 100-90, 110-90, 115-90, 130-90, 140-90, L60, L65, L75, L85, L95
1	S.18648 Fanbelt - AVX13 x 1325	8818153	650, 650S, 750, 750S, 850, 850S
1	S.18614 Fanbelt - AVX10 x 1300	4712148	880
1	S.18607 Fanbelt - AVX10 x 1184	4796652 4796650	580, 680, 780, 55-90, 60-90, 65-90, 65-94, 70-90, 72-94, 80-90, 82-94, 85-90, 88-94
1	S.18616 Fanbelt - AVX10 x 1350	4796442	(1580, 1880) x 2 required
1	S.18645 Fanbelt - AVX13 x 1275	98424142 98419479	(160-90, 180-90, F100, F110, F115) x 2 required

Please see Index for alternative O.E. part numbers.

These parts are Sparex parts and are not manufactured by the Original Equipment Manufacturer. Original Equipment Manufacturers names, part numbers and descriptions are quoted for reference purposes only.