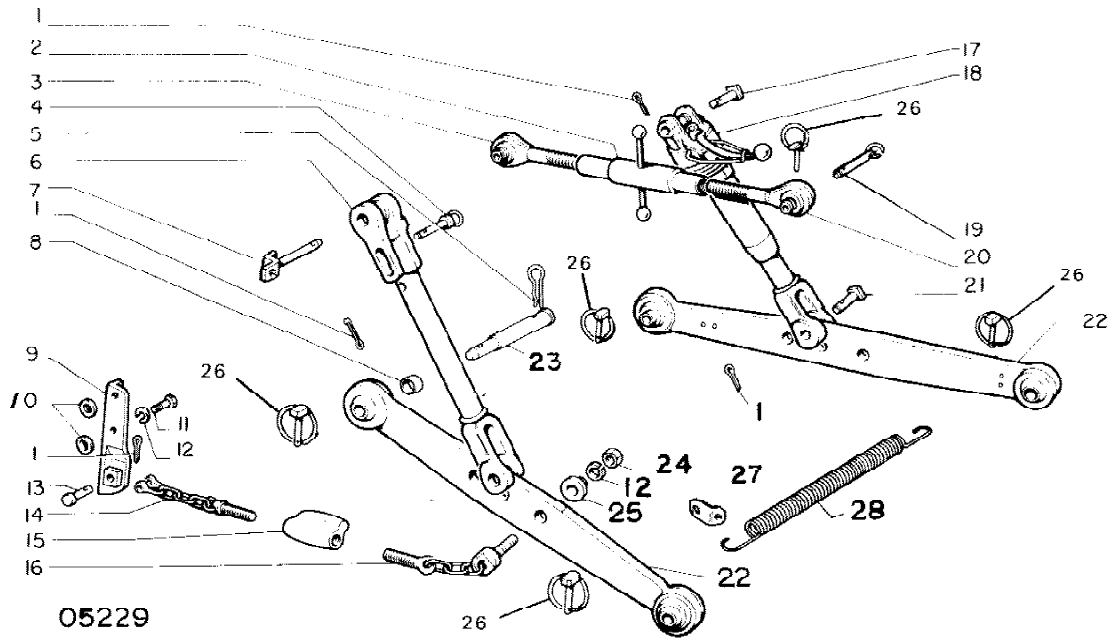


THREE-POINT HITCH -- CATEGORY 1



05229

1265 TRACTOR AND 1270 TRACTOR - OLIVER
 Figure 114: THREE - POINT HITCH - CATEGORY 1

1	670603A	8	Pin (S/N 000001 -)
2	671062A	1	Sleeve (S/N 000001 -)
3	671060A	1	Strut - Front (S/N 000001 -)
4	671371A	1	Pin (Used Only With 672509A Rod) (S/N 000001 -)
5	671052A	2	Pin (S/N 000001 -)
6	672509A	1	Rod - Left (S/N 000001 - 310480)
6	31-2902171	1	Rod - Left Lower - 2 Piece Rod (S/N 310481 -)
6	31-2902168	1	Rod - Left Upper - 2 Piece Rod (S/N 310481 -)
7	31-2900001	1	Pin (S/N 000001 -)
8	672470A	2	Spacer (S/N 000001 -)
9	670519A	1	Support - Right (S/N 000001 -)
9	670520A	1	Support - Left (S/N 000001 -)
10	672504A	4	Washer (S/N 000001 -)
11	672193A	2	Cap Screw (S/N 000001 -)
	31-2901645	2	Stud - (Not Illus.) (S/N 000001 -)
	672224A	2	Nut - (Not Illus.) (S/N 000001 -)
12	672024A	2	Lock Washer (Alternate 31-2900251) (S/N 000001 -)
12	31-2900251	2	Washer (S/N 000001 -)
13	670700A	2	Pin (S/N 000001 -)
14	670798A	2	Chain - Front (S/N 000001 -)
15	672487A	2	Sleeve (S/N 000001 -)
16	674694A	2	Chain - Rear (S/N 000001 -)
17	670691A	2	Pin - Upper (S/N 000001 -)
18	30-3056031	1	Leveling Gear Asy. (Breakdown Page 118) (Alternate 31-2902170) (S/N 000001 - 310480)
18	31-2902170	1	Leveling Gear Asy. (Breakdown Page 118) (S/N 310481 -)
19	31-2900000	1	Pin (S/N 000001 -)
20	671061A	1	Strut - Rear (S/N 000001 -)
21	670692A	2	Pin - Lower (S/N 000001 -)
22	674693A	2	Arm (S/N 000001 -)
22	31-2902169	2	Arm (S/N 000001 -)
23	677357A	2	Pin (S/N 000001 -)
24	672815A	2	Nut (S/N 000001 -)
25	674672A	2	Washer (S/N 000001 -)
26	31-2900157	5	Pin (S/N 000001 -)
27	31-2900158	2	Bracket (S/N 000001 -)
28	31-2900159	1	Spring (S/N 000001 -)